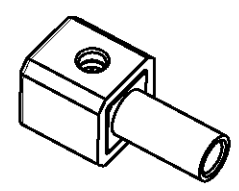
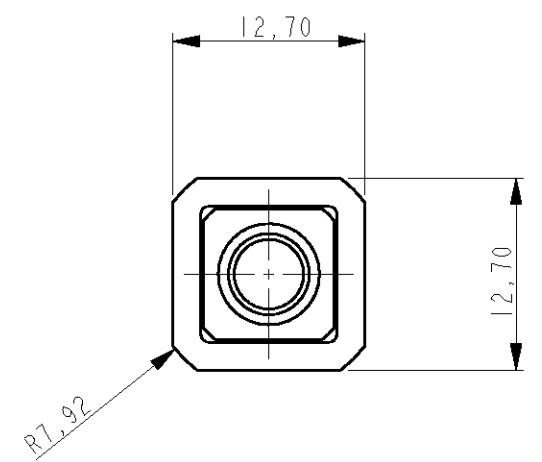
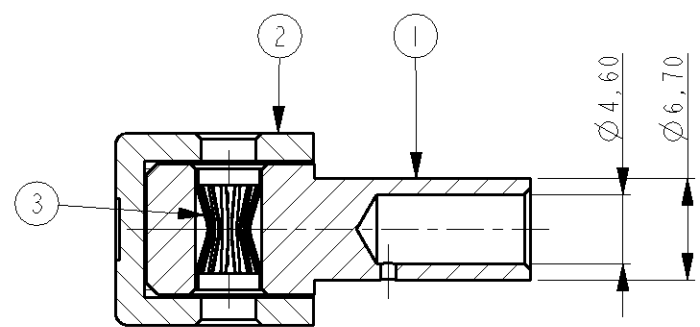
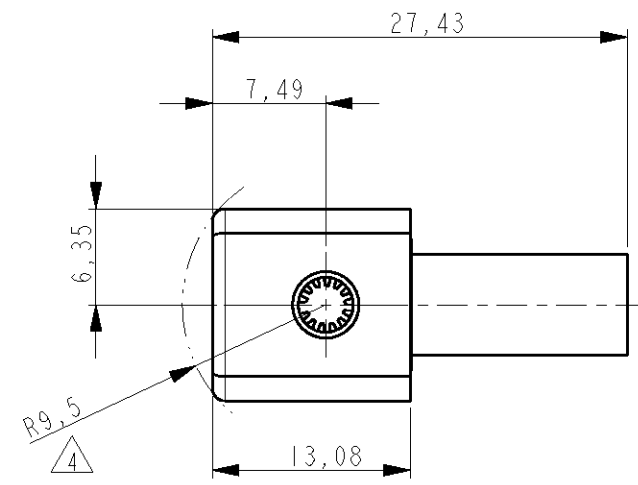


THIS DRAWING IS UNPUBLISHED. RELEASED FOR PUBLICATION 20
 © COPYRIGHT 20 BY TYCO ELECTRONICS CORPORATION. ALL RIGHTS RESERVED.

| LOC | DIST | REVISIONS | | | | | |
|-----|------|-----------|-----|---------------|-----------|-----|------|
| | | P | LTR | DESCRIPTION | DATE | DWN | APVD |
| H | - | | B | ECR-07-020010 | 06AUG2007 | JV | RL |
| | | | | | | | |
| | | | | | | | |

NOTES:

- 1 ITEMS PROVIDED TO THIS SPECIFICATION SHALL BE IDENTIFIED ON THE CONTAINER WITH THE FOLLOWING INFORMATION: PART NUMBER & DATE CODE OF MFR.
- 2 MATERIALS:
 SOCKET BODY: TeCu
 CROWN CONTACT: BeCu
 HOUSING: THERMOPLASTIC, 94V-0, COLOR PER TABLE
- 3 FINISHES:
 SOCKET BODY: SILVER PLATING: MIN. 5µm OVER MIN. 1µm NICKEL.
 CROWN CONTACT: GOLD PLATING: MIN. 0.75µm OVER MIN. 1µm NICKEL.
- 4 ROTATION ARC.
- 5 FOR TERMINATION REFER TO 1926079-1
- 6 MAXIMUM CABLE DIAMETER NOT TO EXCEED 1/2"



SCALE 1:1

| | |
|-----------|-------|
| 6648228-3 | BLUE |
| 6648228-2 | RED |
| 6648228-1 | BLACK |

| ITEM NO. | DESCRIPTION | QUANT. |
|----------|-------------------------------------------|--------|
| 3 | CROWN, CONTACT, SIZE #8 | 1 |
| 2 | HOUSING, CROWN SOCKET, SIZE #8 | 1 |
| 1 | CONTACT SOCKET BODY, RIGHT ANGLE, SIZE #8 | 1 |

| | | | | | |
|---------------------------------------------------------------------------------------------------------------------------------------------------------------------------------------------------------|--|---------------------------------------------------------------------------------------------------------------------------------|--|-------------------------------------------------------------------------------------|--|
| <small>THIS DRAWING IS A CONTROLLED DOCUMENT FOR TYCO ELECTRONICS CORPORATION IT IS SUBJECT TO CHANGE AND THE CONTROLLING ENGINEERING ORGANIZATION SHOULD BE CONTACTED FOR THE LATEST REVISION.</small> | | DWN J.VOS 06-Aug-07 CHK R.LOKKER 06-Aug-07 APVD J.BROEKSTEEG PRODUCT SPEC - APPLICATION SPEC - WEIGHT - | | Tyco Electronics Tyco Electronics Corporation 's-Hertogenbosch, Nederland | |
| DIMENSIONS: mm | | TOLERANCES UNLESS OTHERWISE SPECIFIED: 0 PLC ±0,2 1 PLC ±0,1 2 PLC ±0,05 3 PLC ±0,025 4 PLC ±0,005 ANGLES ±2° | | NAME JUMPER, CROWN SOCKET, PIN SIZE #8 WITH #8 AWG CRIMP BARREL | |
| MATERIAL - FINISH - | | CUSTOMER DRAWING | | SIZE A3 CAGE CODE 00779 DRAWING NO C-6648228 RESTRICTED TO - | |
| | | SCALE 2:1 | | SHEET 1 OF 1 REV B | |

X-ON Electronics

Largest Supplier of Electrical and Electronic Components

Click to view similar products for [Power to the Board](#) category:

Click to view products by [TE Connectivity](#) manufacturer:

Other Similar products are found below :

[10131318-08512GRLF](#) [6450171-4](#) [6450552-7](#) [6600323-8](#) [6643429-1](#) [6646040-2](#) [6651939-1](#) [6766604-1](#) [120959-1](#) [1393557-2](#) [1393532-2](#)
[1393532-3](#) [1393532-4](#) [1393557-1](#) [1600812-5](#) [1-6450861-2](#) [1645595-1](#) [1743490-1](#) [1744132-7](#) [1761122-1](#) [1766169-1](#) [1766250-1](#) [18362](#)
[1892109-1](#) [1-967627-6](#) [2226808-1](#) [2-6450860-5](#) [2-6450860-6](#) [2-6450870-0](#) [93003-0502](#) [953552-1](#) [1-6450161-4](#) [1-6450850-6](#) [1645526-2](#) [1-](#)
[6600130-0](#) [1743419-1](#) [1766150-1](#) [2005243-2](#) [211110-1](#) [2-6600130-2](#) [TE34-12-16P-F0](#) [5-6450830-6](#) [5646956-4](#) [36662-0005](#) [40585-3000](#) [4-](#)
[6450830-9](#) [4-6600333-3](#) [51142-0214](#) [10134048-911LF](#) [10123159-301LF](#)