

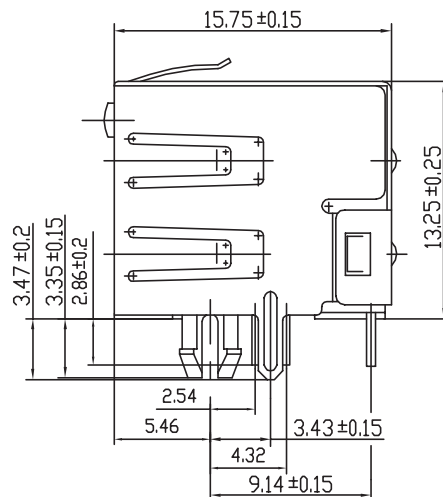
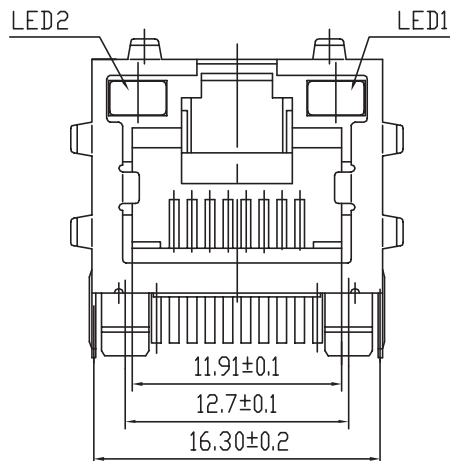
1

2

3

4

5



TECHNICAL CHARACTERISTICS

MATERIAL
 INSULATOR MATERIAL: PBT
 FLAMMABILITY RATING: UL94-V0
 COLOR: BLACK
 CONTACT MATERIAL: COPPER ALLOY
 CONTACT TYPE: STAMPED
 CONTACT PLATING: SELECTIVE GOLD
 SHIELDING: BRONZE NI PLATED
 QUALITY CLASS: 500 MATING CYCLES

LED COLOR
 LED 1: BIPOLAR GREEN/YELLOW
 LED 2: BIPOLAR GREEN/YELLOW

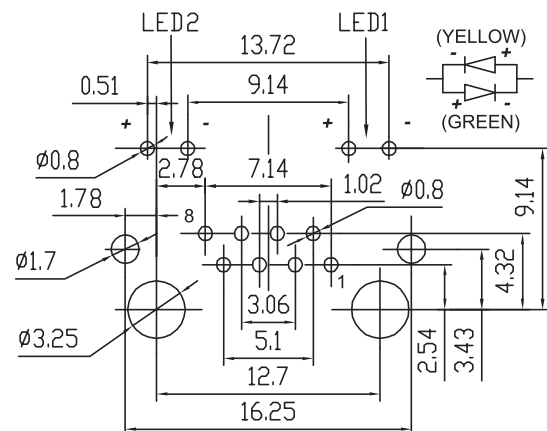
ENVIRONMENTAL
 OPERATING TEMPERATURE: -40°C UP TO 85 °C
 COMPLIANCE: LEAD FREE AND ROHS

ELECTRICAL
 CURRENT RATING: 1.5 A
 WORKING VOLTAGE: 120 VAC
 INSULATION RESISTANCE: >500 MΩ
 DIELECTRIC WITHSTANDING VOLTAGE: 1 000 VAC/MIN
 CONTACT RESISTANCE: 20 mΩ MAX

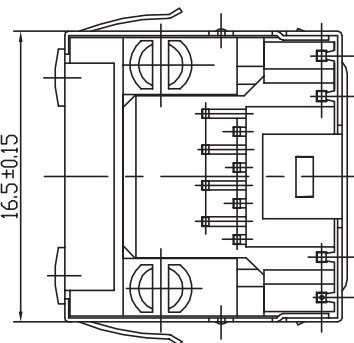
STANDARD
 CERTIFIED: E324776

SOLDERING
 JEDEC LEAD FREE WAVE SOLDERING PROCESS

PACKAGING
 TRAY


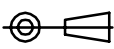


PCB LAYOUT - COMPONENT VIEW



RoHS Compliant

REV	DATE	FILE	BY
G	17-JUL-14	CHARACTERISTICS	AS
F	03-JAN-14	UL & TEMP UPDATE	QL
E	20-AUG-13	DIM UPDATE	QL
D	27-FEB-09	LED COLORS	JP
C	06-MAY-08	LED SYMBOL	CH
B	22-APR-08	LED COLORS	CH
A	01-APR-08	PDF	CH
REV	DATE	FILE	BY

PROJECTION:	GENERAL TOLERANCE	 WÜRTH ELEKTRONIK	DESCRIPTION: HORIZONTAL SHIELDED WITH BIPOLAR LED AND EMI PANEL FINGER 8P8C MODULAR JACK TAB UP WERI PART NO: 615 008 141 321	SIZE A4	
	.X = +/- 0.2				UNIT: MM
	.XX = +/- 0.15				SCALE:
					SHEET: 1/1
APPROVAL: RJ	DRAW:				

X-ON Electronics

Largest Supplier of Electrical and Electronic Components

Click to view similar products for [Modular Connectors / Ethernet Connectors](#) category:

Click to view products by [Wurth](#) manufacturer:

Other Similar products are found below :

[RJE231881317T](#) [MP1010RX-1000](#) [MP44RX-1000](#) [GAX-3-66](#) [GAX-8-62](#) [93606-0253](#) [GD-A-44](#) [GDCX-PA-66-50](#) [GDCX-PN-64](#) [GDCX-PN-66](#) [GDCX-PN-66-50](#) [GDLX-A-66](#) [GDLX-A-88](#) [GDLX-N-66](#) [GDLX-S-88K](#) [GDTX-S-88-50](#) [GDX-PA-1010](#) [GLX-N-1010M-BLK](#) [GLX-N-44M](#) [GLX-S-88M-BLK](#) [GMX-N-1010](#) [GMX-S-1010](#) [GMX-S-66](#) [GMX-SMT2-N-1010](#) [GMX-SMT2-N-64-50](#) [GMX-SMT2-S6-88](#) [GMX-SMT4-N-88](#) [GPX-2-64](#) [GRT1-BT1-5](#) [GSGX-N-2-88](#) [GSX-NS2-88-3.05](#) [GSX-NS2-88-3.05-50](#) [GSX-NS-88-3.05-30](#) [GSX-NS-88-3.05-50](#) [GSX-NS-88-3.68](#) [1-1775629-2](#) [GWLX-S-88-GR](#) [GWLX-S9-88-YG](#) [1300500326](#) [1300500227](#) [1300530003](#) [1300570002](#) [1324640-4](#) [RJ11FTVC2G](#) [RJ11FTVC2N](#) [RJFTVX2SA1G](#) [132764-001](#) [1400000](#) [1413176](#) [1413235](#)