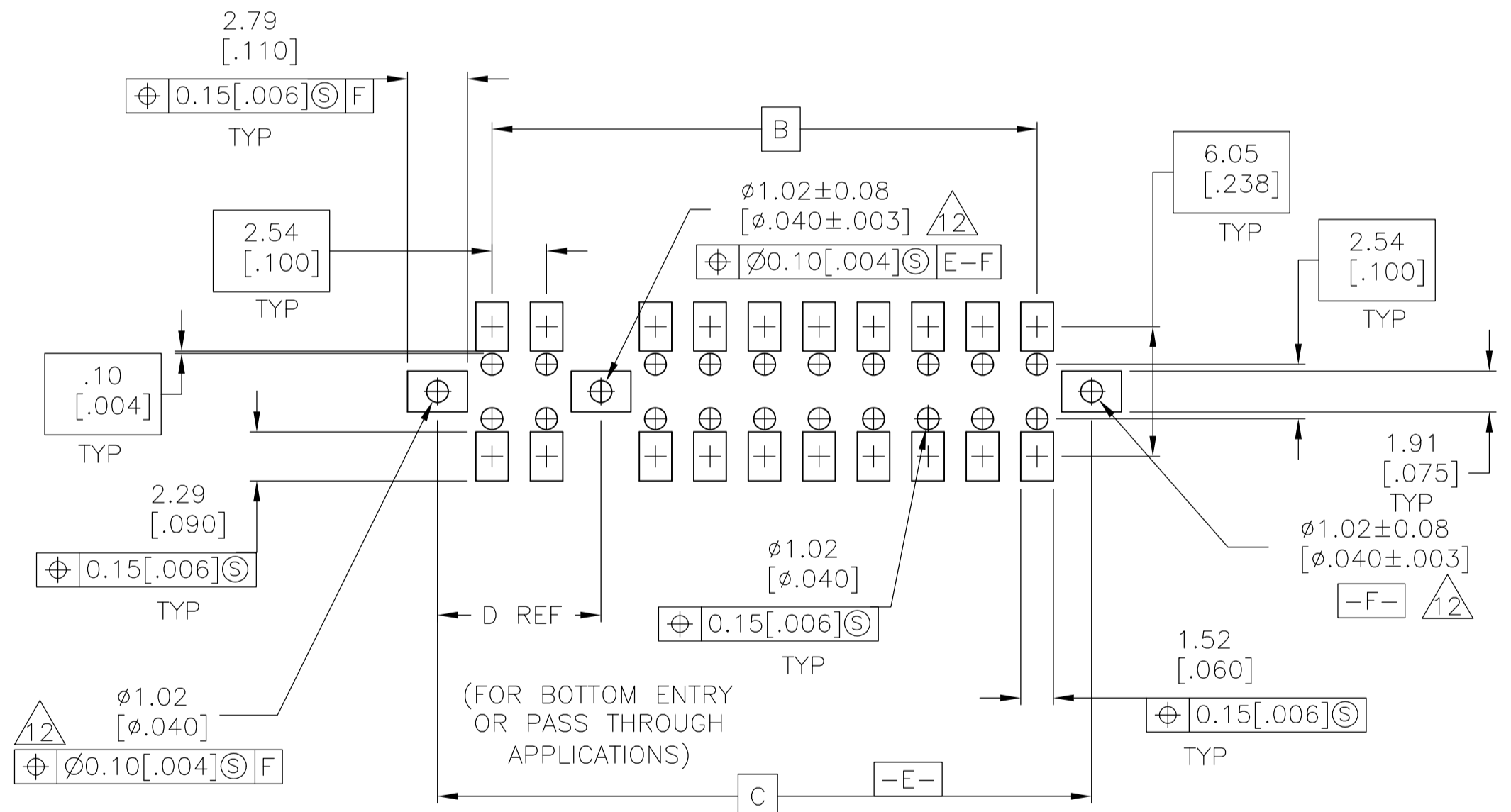
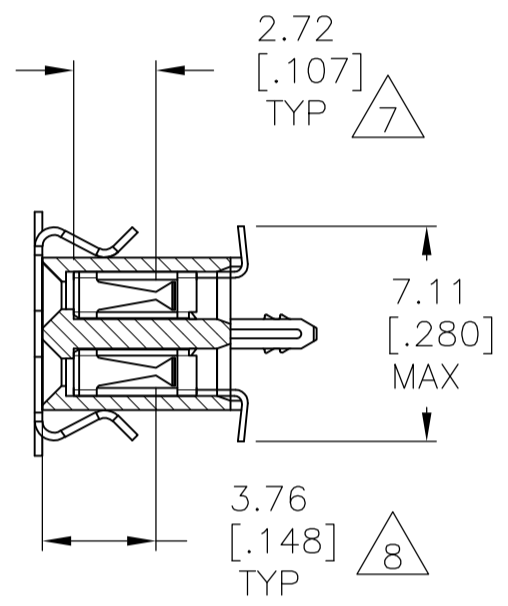
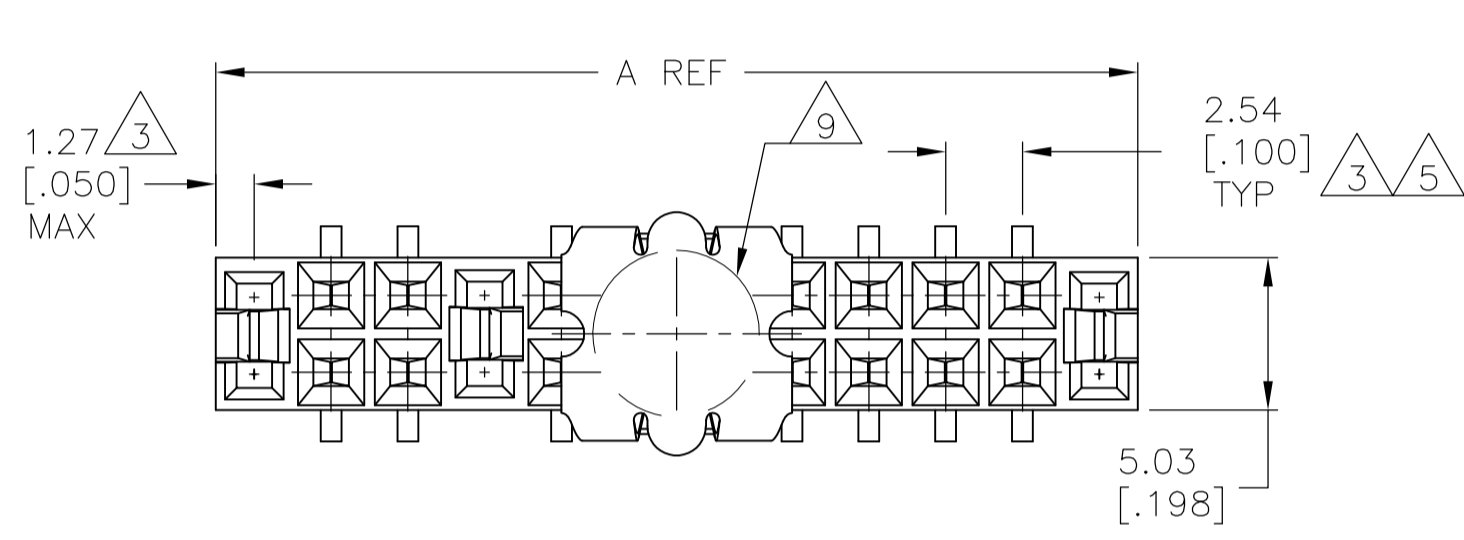
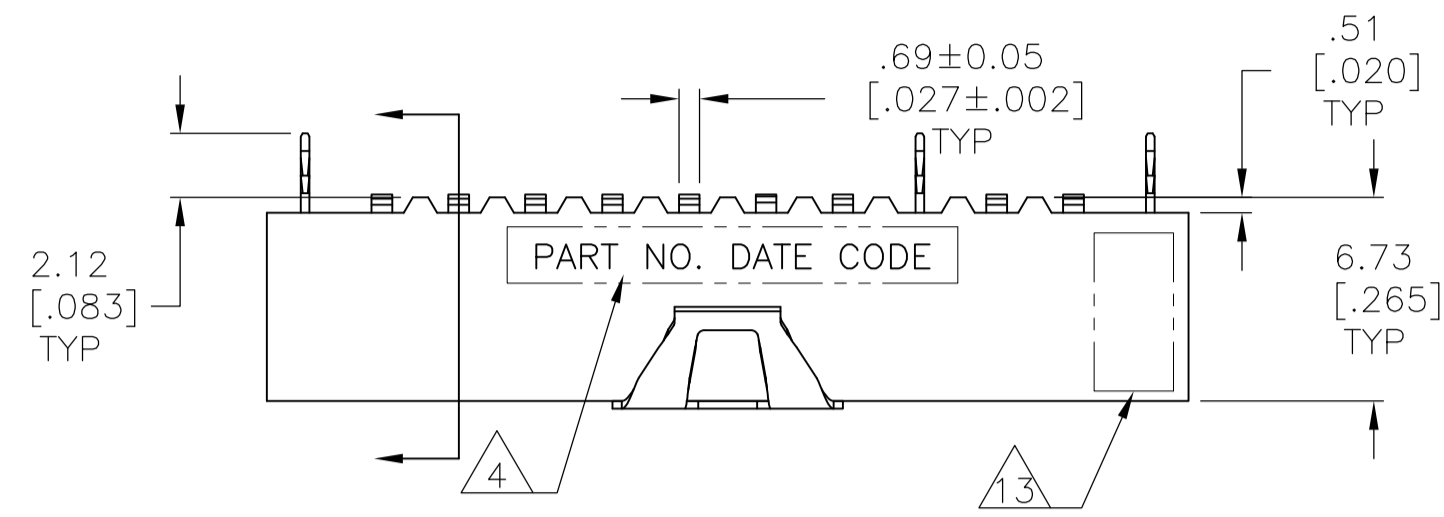


LOC		DIST		REVISIONS			
AD	00	P	LTR	DESCRIPTION	DATE	DMN	APVD
		N7	REVISED PER	ECO-13-005565	30MAR13	KH	JO



RECOMMENDED PC BOARD LAYOUT
0.20[.008] THICK STENCIL

△	53.34	[2.100]	106.68	[4.200]	99.06	[3.900]	109.22	[4.300]	80	4-147102-0
△	50.80	[2.000]	104.14	[4.100]	96.52	[3.800]	106.68	[4.200]	78	3-147102-9
△	50.80	[2.000]	101.60	[4.000]	93.98	[3.700]	104.14	[4.100]	76	3-147102-8
△	48.26	[1.900]	99.06	[3.900]	91.44	[3.600]	101.60	[4.000]	74	3-147102-7
△	48.26	[1.900]	96.52	[3.800]	88.90	[3.500]	99.06	[3.900]	72	3-147102-6
△	45.72	[1.800]	93.98	[3.700]	86.36	[3.400]	96.52	[3.800]	70	3-147102-5
△			88.90	[3.500]	83.82	[3.300]	91.44	[3.600]	68	3-147102-4
△			86.36	[3.400]	81.28	[3.200]	88.90	[3.500]	66	3-147102-3
△			83.82	[3.300]	78.74	[3.100]	86.36	[3.400]	64	3-147102-2
△			81.28	[3.200]	76.20	[3.000]	83.82	[3.300]	62	3-147102-1
△			78.74	[3.100]	73.66	[2.900]	81.28	[3.200]	60	3-147102-0
△			76.20	[3.000]	71.12	[2.800]	78.74	[3.100]	58	2-147102-9
△			73.66	[2.900]	68.58	[2.700]	76.20	[3.000]	56	2-147102-8
△			71.12	[2.800]	66.04	[2.600]	73.66	[2.900]	54	2-147102-7
△			68.58	[2.700]	63.50	[2.500]	71.12	[2.800]	52	2-147102-6
△			66.04	[2.600]	60.96	[2.400]	68.58	[2.700]	50	2-147102-5
△			63.50	[2.500]	58.42	[2.300]	66.04	[2.600]	48	2-147102-4
△			60.96	[2.400]	55.88	[2.200]	63.50	[2.500]	46	2-147102-3
△			58.42	[2.300]	53.34	[2.100]	60.96	[2.400]	44	2-147102-2
△			55.88	[2.200]	50.80	[2.000]	58.42	[2.300]	42	2-147102-1
△			53.34	[2.100]	48.26	[1.900]	55.88	[2.200]	40	2-147102-0
△			50.80	[2.000]	45.72	[1.800]	53.34	[2.100]	38	1-147102-9
△			48.26	[1.900]	43.18	[1.700]	50.80	[2.000]	36	1-147102-8
△			45.72	[1.800]	40.64	[1.600]	48.26	[1.900]	34	1-147102-7
△			43.18	[1.700]	38.10	[1.500]	45.72	[1.800]	32	1-147102-6
SUPERSEDED	△		40.64	[1.600]	35.56	[1.400]	43.18	[1.700]	30	1-147102-5
△			38.10	[1.500]	33.02	[1.300]	40.64	[1.600]	28	1-147102-4
SUPERSEDED	△		35.56	[1.400]	30.48	[1.200]	38.10	[1.500]	26	1-147102-3
△			33.02	[1.300]	27.94	[1.100]	35.56	[1.400]	24	1-147102-2
△			30.48	[1.200]	25.40	[1.000]	33.02	[1.300]	22	1-147102-1
△			27.94	[1.100]	22.86	[.900]	30.48	[1.200]	20	1-147102-0
△			25.40	[1.000]	20.32	[.800]	27.94	[1.100]	18	147102-9
△			22.86	[.900]	17.78	[.700]	25.40	[1.000]	16	147102-8
△			20.32	[.800]	15.24	[.600]	22.86	[.900]	14	147102-7
△			17.78	[.700]	12.70	[.500]	20.32	[.800]	12	147102-6
△			15.24	[.600]	10.16	[.400]	17.78	[.700]	10	147102-5
△			12.70	[.500]	7.62	[.300]	15.24	[.600]	8	147102-4
△			10.16	[.400]	5.08	[.200]	12.70	[.500]	6	147102-3
△			7.62	[.300]	2.54	[.100]	10.16	[.400]	4	147102-2
△			5.08	[.200]			7.62	[.300]	2	147102-1
△	OBSOLETE									

FINISH	D	C	B	A	NO.OF POSN.	PART NUMBER

THIS DRAWING IS A CONTROLLED DOCUMENT.		DIN M. BINNER 06NOV02		STE TE Connectivity	
DIMENSIONS: mm [INCHES]		TOLERANCES UNLESS OTHERWISE SPECIFIED:		RECEPTACLE ASSEMBLY, MOD IV, DOUBLE ROW, DUAL ENTRY, .100X.100CL, SURFACE MOUNT, AMPMODU	
0 PLC ± -		1 PLC ± ±		SIZE CASE CODE DRAWING NO	
1 PLC ± ±		2 PLC ± ±		A1 00779 147102	
2 PLC ± ±		3 PLC ± ±		RESTRICTED TO	
3 PLC ± ±		4 PLC ± ±		-	
4 PLC ± ±		ANGLES ± -		SCALE 4:1 SHEET 1 OF 2 REV N7	
MATERIAL 1		FINISH 2 15		CUSTOMER DRAWING	

LOC		DIST		REVISIONS			
#	DATE	BY	APP'D	DESCRIPTION	DATE	DWN	APP'D
AD	00			SEE SHEET 1			

- 1 HOUSING: FLAME RETARDANT, GLASS FILLED, POLYESTER, COLOR: BLACK.
CONTACT: PHOSPHOR BRONZE
VACUUM COVER: STAINLESS STEEL
- 2 CONTACT: DUPLEX PLATED 0.76µm[.000030] GOLD IN CONTACT AREA, 3.81-7.62µm[.000150-.000300] BRIGHT TIN-LEAD ON, LEADS, ALL OVER 1.27µm[.000050] MINIMUM NICKEL
- 3 THESE DIMENSIONS PERTAIN TO CAVITY CENTERLINES ONLY NOT TO CONTACT LOCATIONS
- 4 MARK PART NUMBER AND DATE CODE IN APPROXIMATE LOCATION SHOWN, EITHER SIDE.
- 5 TOLERANCE IS NON-CUMULATIVE.
- 6 2 POSITION DATE CODE IS MARKED OPPOSITE SIDE OF TE LOGO.
- 7 POINT OF MEASUREMENT DIMENSION FOR PLATING THICKNESS (INSIDE CONTACT BEAM).
- 8 POINT-OF-CONTACT DIMENSION.
- 9 ø5.51[.217] MIN TARGET AREA FOR VACUUM PICK UP. COVER TO BE REMOVED AFTER SOLDERING.
- 10 NO CENTER HOLD DOWN.
- 11. PACKAGED IN TUBES.
- 12 HOLES ø1.125±.025[.0453±.0010] DRILL SIZE [0.03-0.08[.001-.003] COPPER PLATING. 0.007[.003]MIN 60/40 TIN LEAD ø0.94-1.09[.037-.043] AFTER PLATING, 0.25[.010] ANNULAR RING BOTH SIDES.
- 13 TE CONNECTIVITY TRADEMARK AND CSA LOGO ARE MOLDED INTO HOUSING.
- 14 NO PART NUMBER REQUIRED ON THIS PART.
- 15 CONTACT: DUPLEX PLATED 0.76µm[.000030] GOLD IN CONTACT AREA, 3.81-7.62µm[.000150-.000300] MATTE TIN ON LEADS, ALL OVER 1.27µm[.000050] MINIMUM NICKEL.
- 16 ROHS 2002 /95/EC COMPLIANT.

13	53.34	[2.100]	106.68	[4.200]	99.06	[3.900]	109.22	[4.300]	80	9-147102-0
13	50.80	[2.000]	104.14	[4.100]	96.52	[3.800]	106.68	[4.200]	78	8-147102-9
13	50.80	[2.000]	101.60	[4.000]	93.98	[3.700]	104.14	[4.100]	76	8-147102-8
13	48.26	[1.900]	99.06	[3.900]	91.44	[3.600]	101.60	[4.000]	74	8-147102-7
13	48.26	[1.900]	96.52	[3.800]	88.90	[3.500]	99.06	[3.900]	72	8-147102-6
13	45.72	[1.800]	93.98	[3.700]	86.36	[3.400]	96.52	[3.800]	70	8-147102-5
13	∅		88.90	[3.500]	83.82	[3.300]	91.44	[3.600]	68	8-147102-4
13	∅		86.36	[3.400]	81.28	[3.200]	88.90	[3.500]	66	8-147102-3
13	∅		83.82	[3.300]	78.74	[3.100]	86.36	[3.400]	64	8-147102-2
13	∅		81.28	[3.200]	76.20	[3.000]	83.82	[3.300]	62	8-147102-1
13	∅		78.74	[3.100]	73.66	[2.900]	81.28	[3.200]	60	8-147102-0
13	∅		76.20	[3.000]	71.12	[2.800]	78.74	[3.100]	58	7-147102-9
13	∅		73.66	[2.900]	68.58	[2.700]	76.20	[3.000]	56	7-147102-8
13	∅		71.12	[2.800]	66.04	[2.600]	73.66	[2.900]	54	7-147102-7
13	∅		68.58	[2.700]	63.50	[2.500]	71.12	[2.800]	52	7-147102-6
13	∅		66.04	[2.600]	60.96	[2.400]	68.58	[2.700]	50	7-147102-5
13	∅		63.50	[2.500]	58.42	[2.300]	66.04	[2.600]	48	7-147102-4
13	∅		60.96	[2.400]	55.88	[2.200]	63.50	[2.500]	46	7-147102-3
13	∅		58.42	[2.300]	53.34	[2.100]	60.96	[2.400]	44	7-147102-2
13	∅		55.88	[2.200]	50.80	[2.000]	58.42	[2.300]	42	7-147102-1
13	∅		53.34	[2.100]	48.26	[1.900]	55.88	[2.200]	40	7-147102-0
13	∅		50.80	[2.000]	45.72	[1.800]	53.34	[2.100]	38	6-147102-9
13	∅		48.26	[1.900]	43.18	[1.700]	50.80	[2.000]	36	6-147102-8
13	∅		45.72	[1.800]	40.64	[1.600]	48.26	[1.900]	34	6-147102-7
13	∅		43.18	[1.700]	38.10	[1.500]	45.72	[1.800]	32	6-147102-6
13	∅		40.64	[1.600]	35.56	[1.400]	43.18	[1.700]	30	6-147102-5
13	∅		38.10	[1.500]	33.02	[1.300]	40.64	[1.600]	28	6-147102-4
13	∅		35.56	[1.400]	30.48	[1.200]	38.10	[1.500]	26	6-147102-3
13	∅		33.02	[1.300]	27.94	[1.100]	35.56	[1.400]	24	6-147102-2
13	∅		30.48	[1.200]	25.40	[1.000]	33.02	[1.300]	22	6-147102-1
13	∅		27.94	[1.100]	22.86	[.900]	30.48	[1.200]	20	6-147102-0
13	∅		25.40	[1.000]	20.32	[.800]	27.94	[1.100]	18	5-147102-9
13	∅		22.86	[.900]	17.78	[.700]	25.40	[1.000]	16	5-147102-8
13	∅		20.32	[.800]	15.24	[.600]	22.86	[.900]	14	5-147102-7
13	∅		17.78	[.700]	12.70	[.500]	20.32	[.800]	12	5-147102-6
13	∅		15.24	[.600]	10.16	[.400]	17.78	[.700]	10	5-147102-5
13	∅		12.70	[.500]	7.62	[.300]	15.24	[.600]	8	5-147102-4
13	∅		10.16	[.400]	5.08	[.200]	12.70	[.500]	6	5-147102-3
13	∅		7.62	[.300]	2.54	[.100]	10.16	[.400]	4	5-147102-2
13	∅		5.08	[.200]			7.62	[.300]	2	5-147102-1
14	∅		OBSOLETE							
	FINISH	D	C	B	A			NO. OF POSN		PART NUMBER

THIS DRAWING IS A CONTROLLED DOCUMENT. DATE: 06NOV02

DMN: M. BINNER
CHK: J. OLSON
APP'D: J. OLSON

TOLERANCES UNLESS OTHERWISE SPECIFIED:
 0 PLC ±
 1 PLC ±
 2 PLC ± 0.13[.005]
 3 PLC ±
 4 PLC ±
 ANGLES ±

MATERIAL: 1 FINISH: 2, 15

PRODUCT SPEC: 108-25022
APPLICATION SPEC: 114-25018

RECEPTACLE ASSEMBLY, MOD IV, DOUBLE ROW, DUAL ENTRY, .100X.100CL, SURFACE MOUNT, AMPMODU

SIZE: A1 CAGE CODE: 00779 DRAWING NO: 147102

RESTRICTED TO: -

CUSTOMER DRAWING SCALE: 1:1 SHEET: 2 OF 2 REV: N7

X-ON Electronics

Largest Supplier of Electrical and Electronic Components

Click to view similar products for [Headers & Wire Housings](#) category:

Click to view products by [TE Connectivity](#) manufacturer:

Other Similar products are found below :

[95000-104TRLF](#) [10135584-644402LF](#) [DF62W-EP2022PCA](#) [95000-106TRLF](#) [DF62W-2022SCA](#) [DF62W-EP2022PC](#) [2203348](#) [DF62W-2022SC](#) [1084018](#) [1029039](#) [1084017](#) [802-10-012-10-002000](#) [1112640](#) [1112639](#) [000-34000](#) [0009482033](#) [0009507031](#) [57102-S06-03LF](#) [57202-S52-04LF](#) [PCN6-15S-2.5E](#) [0039019024](#) [58102-G61-06LF](#) [582553-1](#) [0009485154](#) [0009508121](#) [0022285053](#) [0050291907](#) [018731A](#) [LY20-4P-DT1-P1E-BR](#) [02.125.8002.8](#) [60101931](#) [60598-1 \(Cut Strip\)](#) [M1625-3R/100](#) [61062-3](#) [61082-181009](#) [636-1427](#) [638009-1](#) [641938-9](#) [641991-4](#) [644168-1](#) [647662-1](#) [65039-019ELF](#) [65781-047](#) [65817-002LF](#) [65817-015LF](#) [65863-015LF](#) [66207-023LF](#) [67016-026LF](#) [67046-001LF](#) [67095-007LF](#)