

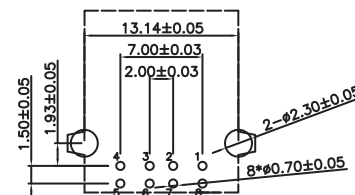
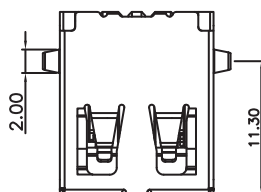
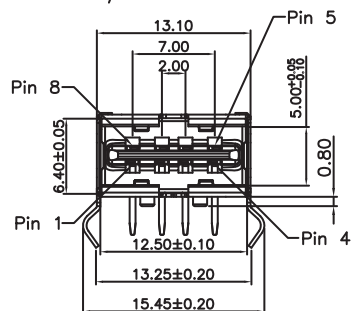
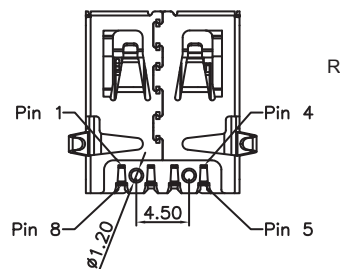
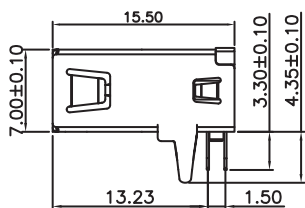
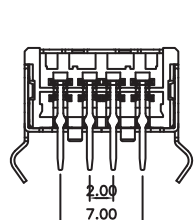
1

2

3

4

5



RECOMMENDED PCB LAYOUT
RECOMMENDED PCB THICKNESS : 1.6 mm

TECHNICAL CHARACTERISTICS

MATERIAL
INSULATOR: LCP
FLAMMABILITY RATING: UL94-V0
COLOR: BLACK
CONTACT MATERIAL: COPPER ALLOY
CONTACT TYPE: STAMPED
CONTACT PLATING: SELECTIVE GOLD
LATCH: STAINLESS STEEL Ni PLATED
QUALITY CLASS: 1500 MATING CYCLES

ENVIRONMENTAL
OPERATING TEMPERATURE: -40°C UP TO +105°C
COMPLIANCE: LEAD FREE AND ROHS

ELECTRICAL
CURRENT RATING: 1.5 A
WORKING VOLTAGE: 30 VAC
INSULATOR RESISTANCE: >1000 MΩ
DIELECTRIC WITHSTANDING VOLTAGE: 500 VAC/MIN
CONTACT RESISTANCE: 30 mΩ MAX

STANDARD
UL CERTIFIED: E323964

SOLDERING
JEDEC LEAD FREE WAVE SOLDERING

PACKAGING
TAPE & REEL

NOTE : 8 separated wirings are necessary to be connected to the USB controller. Subsequently, you need to connect to two ports on the controller.

Pin Assignments

| Pin | Signal Name | Description |
|-------|-------------|-------------|
| 1 & 5 | VCC | +5VDC |
| 2 & 6 | D- | Data- |
| 3 & 7 | D+ | Data+ |
| 4 & 8 | GND | Ground |

RoHS Compliant

| REV | DATE | FILE | BY |
|-----|-----------|---------------|----|
| A | 08-JUL-12 | PDF | GG |
| B | 15-FEB-13 | DESIGNATION | AR |
| C | 23-MAY-13 | NOTE ADD | QL |
| D | 27-OCT-14 | REVIEW | QL |
| E | 09-AVR-15 | PCB THICKNESS | QP |
| F | | | |
| G | | | |

PROJECTION:



APPROVAL: NPr

GENERAL TOLERANCE

.X = +/- 0.2

.XX = +/- 0.15



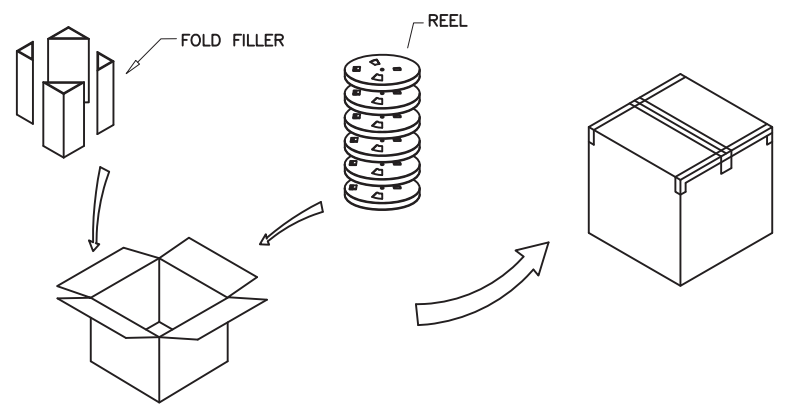
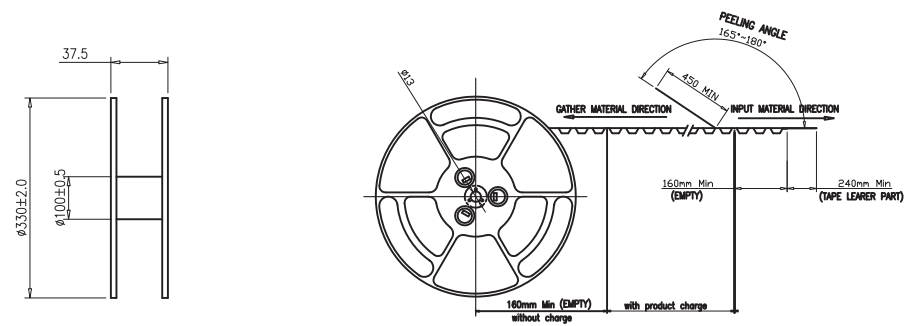
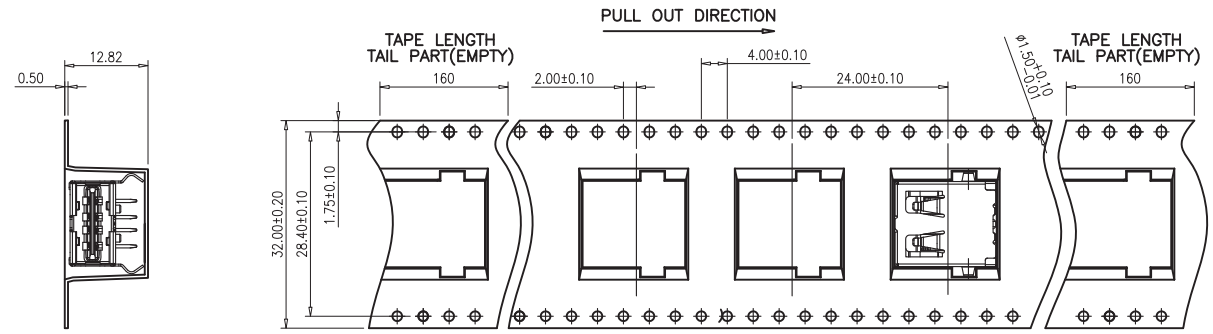
DESCRIPTION: USB 2.0 HORIZONTAL DUAL-WAY

WERI PART NO: 614 108 247 221

SIZE

A4

1 2 3 4 5



- NOTES:
1. MATERIAL:
 - 1.1 EMBOSSED CARRIER:HIPS
 - 1.2 COVER TAPE:PS
 - 1.3 SHIPPING CARTON:CORRUGATED FIBER
 2. DIMENSION:
 - 2.1 REEL:W=37.5
 - 2.2 SHIPPING CARTON:L=335,W=335,H=315
 3. QUANTITY:
 - 3.1 PRIMARY PACKING:200PCS/REEL;
 - 3.2 SECONDARY PACKING:8 REELS/CARTON(1600PCS/CARTON)

| | | | | | | | | |
|----------------|------|------|----|---------------|--------------------------------|--|---|------|
| RoHS Compliant | | | | PROJECTION: | GENERAL TOLERANCE | | DESCRIPTION: SIM Card Connector - Header - 6 pins | SIZE |
| | | | | | .X = +/- 0.2 .XX = +/- 0.15 | | | |
| | | | | APPROVAL: NPr | UNIT: MM | | | |
| | | | | | SCALE: | | | |
| | | | | | SHEET: 2/3 | | | |
| REV | DATE | FILE | BY | | DRAW: VICKY | | | |

1

2

3

4

5

Cautions and Warnings:

This electronic component is designed and developed with the intention for use in general electronics equipments.

Before incorporating the components into any equipments in the field such as aerospace, aviation, nuclear control, submarine, transportation, (automotive control, train control, ship control), transportation signal, disaster prevention, medical, public information network etc. where higher safety and reliability are especially required or if there is possibility of direct damage or injury to human body, Würth Elektronik must be asked for a written approval.

In addition, even electronic component in general electronic equipments, when used in electrical circuits that require high safety, reliability functions or performance, the sufficient reliability evaluation-check for the safety must be performed before by the user before usage.

A

B

C

RoHS Compliant

| | | | | | | | |
|-----|-----------|------|----|--|---|---|-------------------|
| G | | | | PROJECTION:  | GENERAL TOLERANCE .X = +/- 0.2 .XX = +/- 0.15 |  | |
| F | | | | | | | |
| E | | | | | | | |
| D | | | | | | | |
| C | | | | APPROVAL: JC | UNIT: MM | DESCRIPTION: DISCLAIMER | SIZE A4 |
| B | | | | | SCALE: | | |
| A | 10-SEP-14 | PDF | QL | | SHEET: 3/3 | WERI PART NO: DISCLAIMER | |
| REV | DATE | FILE | BY | | DRAW: QL | | |

D

X-ON Electronics

Largest Supplier of Electrical and Electronic Components

Click to view similar products for [USB Connectors](#) category:

Click to view products by [Wurth](#) manufacturer:

Other Similar products are found below :

[10033527-N3112MLF](#) [17-210561](#) [GMCB05B11124H1EU](#) [17-200931](#) [65-647-8-BK-BU](#) [690-010-295-484](#) [73725-1191BLF](#) [950](#) [E8144-B01021-L](#) [A-USB A-LP-SMT-C](#) [A-USB B-TOP-C](#) [MUSBA511N5](#) [MUSBB15131](#) [MUSBC111M5](#) [MUSBD11135](#) [217450-1](#) [CA 6 W LD](#) [896-30-004-00-000000](#) [KUSBVX-BS1N-W30](#) [KUSBX-AP-KIT-SCBLK](#) [KUSBX-AS2N-W](#) [KUSBX-SMT2AP1S-W](#) [KUSBX-SMTBS1NBTR](#) [30-498-6](#) [SK-60A-2](#) [17-200261](#) [17-210051](#) [1734082-1](#) [FK-37-32SL](#) [30-1574](#) [30-470](#) [30-489](#) [30-572-3](#) [30-9503](#) [M9177/2-1](#) [MAB 5 S](#) [MIKROE-1451](#) [33UBBR-04SW11R](#) [USBFTV2PEM2G](#) [USBFTVC6ZN](#) [USBFTVSCCG](#) [KUSBX-AS2N-W30](#) [KUSBX-SLAS1N-W](#) [KUSBX-SLAS1N-W30](#) [1-1734084-2](#) [E8110-001-01](#) [MUSBC11135](#) [33UBAR-04SW11](#) [USBF21ZNSCC](#) [USBBFTV6ZC](#)