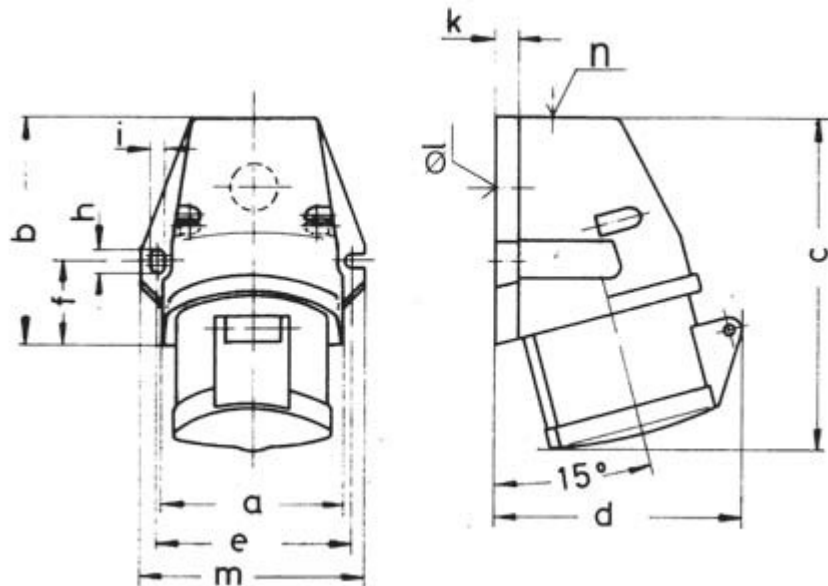


**Quick Connect Blue Surface Mounting Socket With Top Cable Entry 2P+E (6H)  
IP44 16A 240V**



**Dimensions**

All dimensions in mm.



a	b	c	d
59.5	90	130	85
e	f	h	i
62	33.5	9	5.5
k	lØ	m	n
8	21	72	M20

Conductor mm<sup>2</sup> min    Conductor mm<sup>2</sup> max

1.5                      4

## **X-ON Electronics**

Largest Supplier of Electrical and Electronic Components

*Click to view similar products for [Ceenorm](#) manufacturer:*

Other Similar products are found below :

[2138](#) [11962](#) [11302](#) [21013-TLS](#) [31012-TLS](#) [112001](#) [3126](#) [3138](#) [204-TLS](#) [203-TLS](#) [31001-TLS](#) [21001-TLS](#)