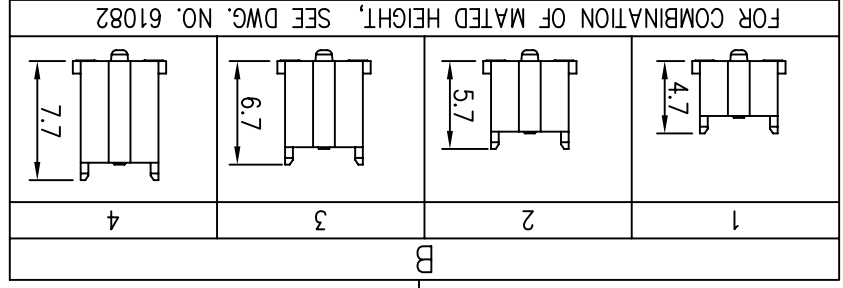




AA	NO. OF POSITIONS	02
		2X10
		2X20
		2X30
		2X40
		2X50
		2X60
		2X70
		2X80
		2X90
		2X100



FOR COMBINATION OF MATED HEIGHT, SEE DWG. NO. 61082

C	PLATING: CONTACT AREA / SOLDER TAIL AREA	FF
0	GOLD 0.2um MIN. / TIN LEAD 2.5um MIN NICKEL UNDERPLATE OVERALL 1.27um MIN	NONE
1	GOLD FLASH (0.1um MIN) OVER PALLADIUM-NICKEL 0.76um MIN / TIN LEAD 2.5um MIN NICKEL UNDERPLATE OVERALL 1.27um.	NONE
4	GOLD 0.2um MIN / PURE MATT TIN 2.5um MIN NICKEL UNDERPLATE OVERALL 1.27um. (LEADFREE PLATING)	LF
5	GOLD 0.38um MIN / MATT PURE TIN 2.5um MIN NICKEL UNDERPLATE OVERALL 1.27um MIN (LEADFREE PLATING)	LF
6	GOLD FLASH (0.1um MIN) OVER PALLADIUM-NICKEL 0.76um MIN / PURE MATT TIN 2.5um MIN NICKEL UNDERPLATE OVERALL 1.27um. (LEADFREE PLATING)	LF
9	GOLD 0.2um MIN / GOLD 0.05um MIN NICKEL UNDERPLATE OVERALL 1.27um. (LEADFREE PLATING)	LF

- NOTE:
1. MATERIAL: HOUSING: G.F. LCP, U194-V0
TERMINAL: BRASS
 2. PLATING: AS SHOWN IN TABLE.
 3. SEE GS-12-547 FOR PRODUCT SPEC.
 4. PACKAGING OPTION 2: NOT ALL SIZES ARE AVAILABLE. CHECK WITH FACTORY.
 5. THIS PRODUCT MEETS THE EUROPEAN UNION DIRECTIVES AND OTHER COUNTRY REGULATIONS AS DESCRIBED IN GS-22-008.
 6. THE HOUSING WILL WITHSTAND EXPOSURE UP TO 260 PEAK TEMPERATURE FOR 30 SECONDS IN A CONVECTION, INFRA-RED OR VAPOR PHASE REFLOW OVEN.
 7. PLATING OPTION "4" IS LEADFREE ALTERNATIVE FOR OPTION "0", AND OPTION "6" IS LEADFREE ALTERNATIVE FOR OPTION "1".
 8. HIGH PRECISION COPPLANARITY IS AVAILABLE FOR 2X80 TO 2X100 POS, ALL HEIGHTS. PLS REFER TO PRINT 10069525.
 9. THE P/N 61083-***** OR 61083-*****LF NOT PRINT DATE CODE.
 10. POSITION 2X10 TYPE ONLY APPLY TO PLUG 1.
 11. KAPTON TAPE ONLY APPLY TO POSITION 2X10~2X20.

61083-AA B C D E G FF

G	DATE CODE
/	NOT PRINT DATE CODE
P	PRINT DATE CODE

E	PACKAGING
0	TUBE WITHOUT METAL CAP
2	T&R WITH METAL CAP
9	TUBE WITH METAL CAP
6	T&R WITHOUT METAL CAP (WITH KAPTON TAPE)
7	T&R WITH PLASTIC CAP

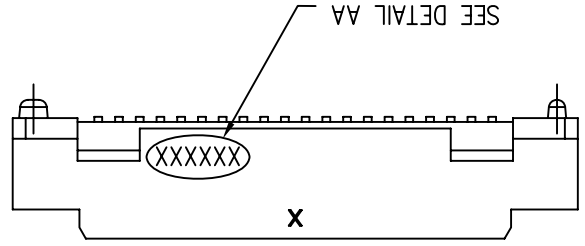
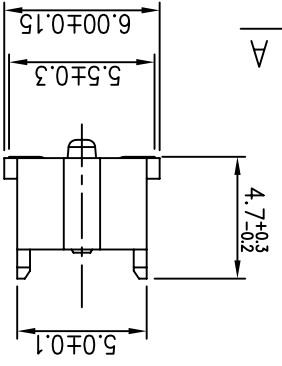
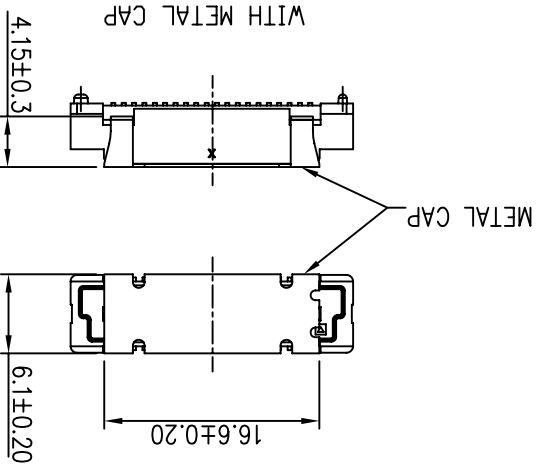
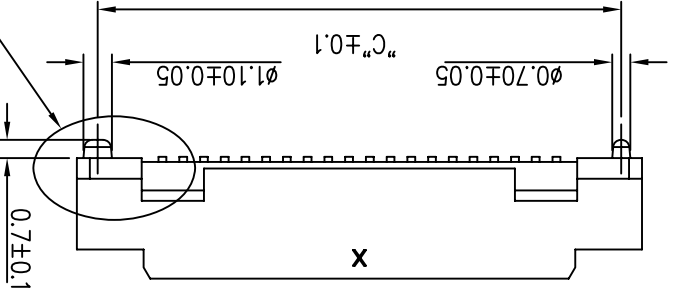
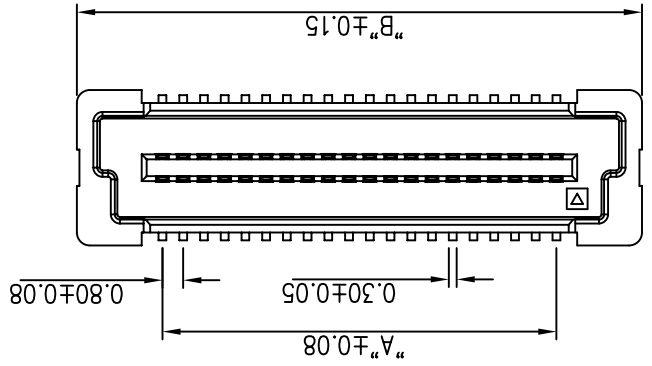
D	FEATURE	0	2
	HOLD DOWN	NO	NO

spec ref	dr	Guomin Sun	2014-10-21
	eng	Guomin Sun	2014-10-21
	chr	ZK Hu	2014-10-21
	appr	Feagle Pan	2014-10-21
tolerance std	TOLERANCES UNLESS OTHERWISE SPECIFIED		
surface	linear	0.XX	±0.15
		0.XXX	±0.10
	angular	0	±2
www.fci.com cat. no.			
title BERGSTAK 0.8mm BTB PLUG ASSY			
dwg no			
rev	61083		
AG	Product - Customer drw sheet 1 of 6		

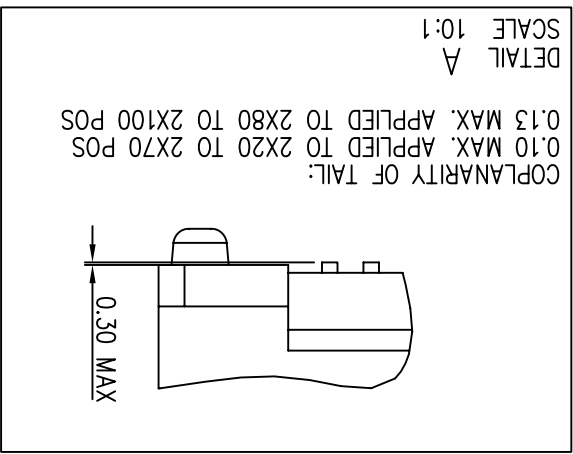
scale	3:1
size	A3
projection	
rel level	mm
product family	Bergstak
product family	Bergstak
rel level	mm
ecm no	
RELEASE	



PRODUCT NO.	NO. OF POSITION	DIMENSION		
		A	B	C
61083-021***	2X10	7.2	13.8	12.2
61083-041***	2X20	15.2	21.8	20.2
61083-061***	2X30	23.2	29.8	28.2
61083-081***	2X40	31.2	37.8	36.2
61083-101***	2X50	39.2	45.8	44.2
61083-121***	2X60	47.2	53.8	52.2
61083-141***	2X70	55.2	61.8	60.2
61083-161***	2X80	63.2	69.8	68.2
61083-181***	2X90	71.2	77.8	76.2
61083-201***	2X100	79.2	85.8	84.2



DATE CODE: XXXXXX
 DAY(01~31)
 MONTH(01~12)
 YEAR(00~99)
 DETAIL AA

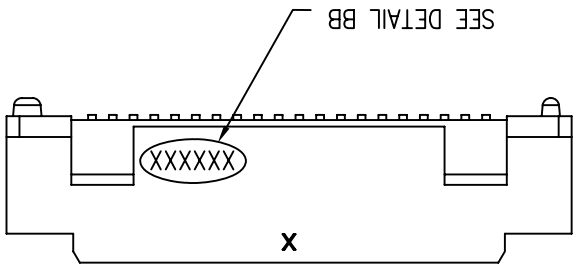
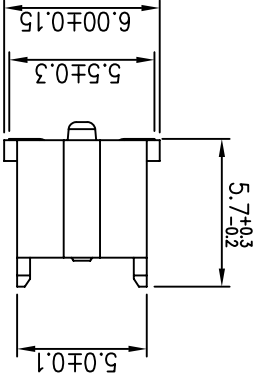
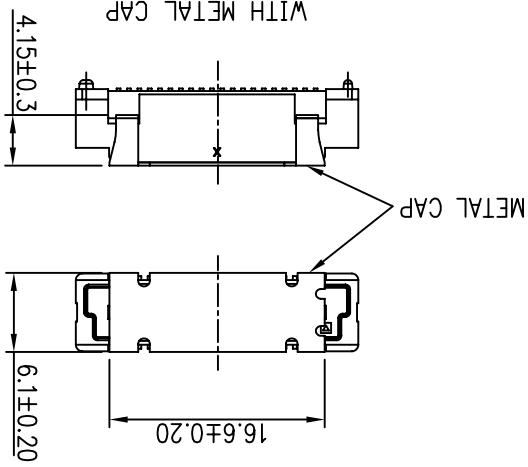
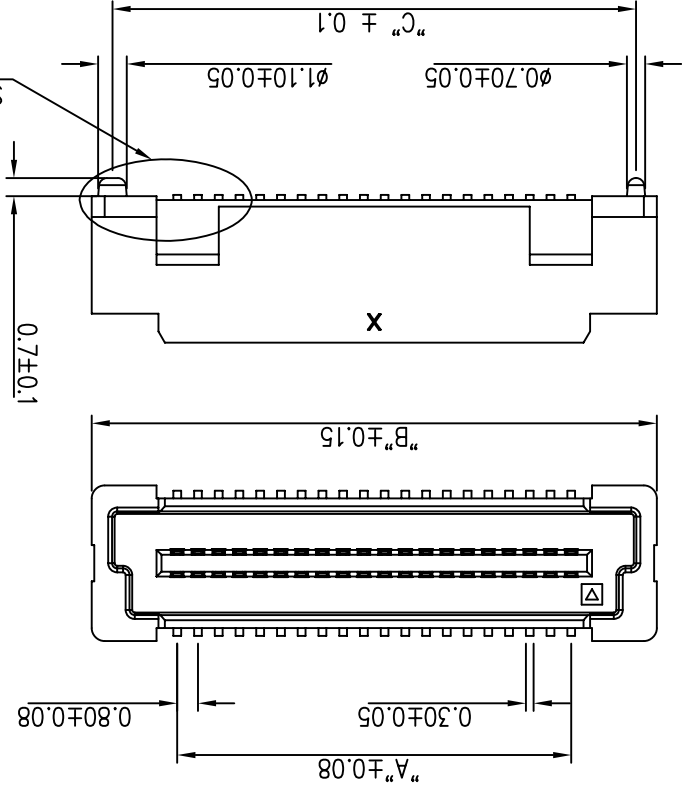


dr	Guomin Sun	2014-10-21	projection	mm	size	A3	scale	3:1
eng	Guomin Sun	2014-10-21						
chr	ZK Hu	2014-10-21						
appr	Feagle Pan	2014-10-21	product family	Bergstak	rel level			RELEASE
title		www.fci.com cat. no.		Product - Customer drw		sheet 2 of 6		
BERGSTAK 0.8mm BTB		PLUG ASSY		61083		rev AG		

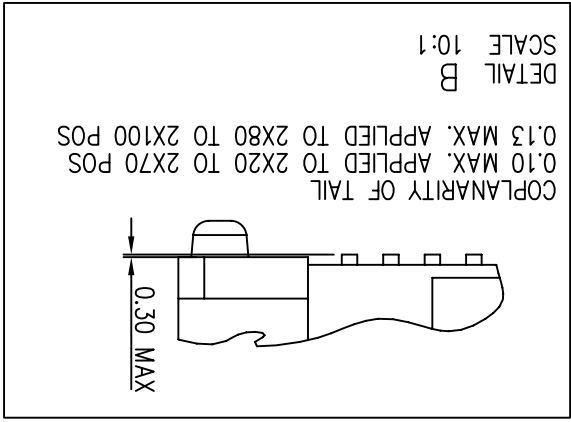
PLUG 1



PRODUCT NO.	NO. OF POSITION	DIMENSION		
		A	B	C
61083-042***	2X20	15.2	21.8	20.2
61083-062***	2X30	23.2	29.8	28.2
61083-082***	2X40	31.2	37.8	36.2
61083-102***	2X50	39.2	45.8	44.2
61083-122***	2X60	47.2	53.8	52.2
61083-142***	2X70	55.2	61.8	60.2
61083-162***	2X80	63.2	69.8	68.2
61083-182***	2X90	71.2	77.8	76.2
61083-202***	2X100	79.2	85.8	84.2



DATE CODE: XXXXXX
 DAY(01~31)
 MONTH(01~12)
 YEAR(00~99)
 DETAIL BB

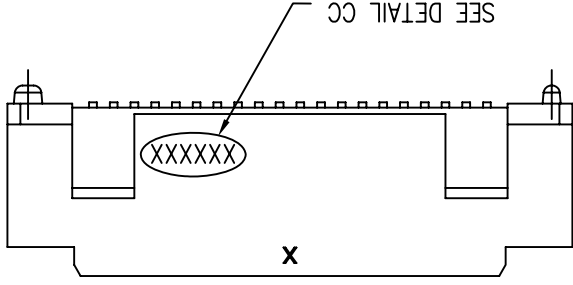
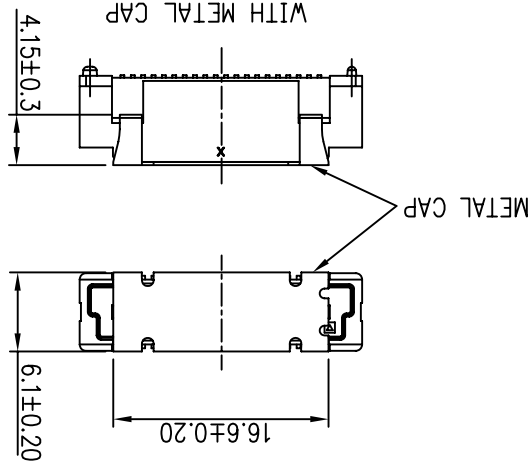
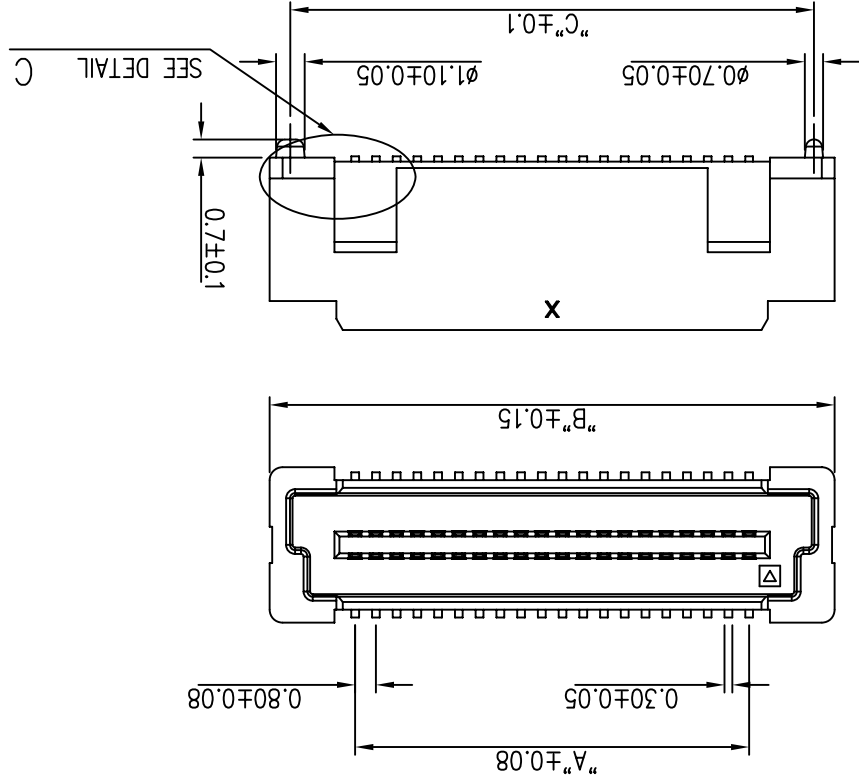


dr	Guomin Sun	2014-10-21	projection	mm	size	A3	scale	3:1
eng	Guomin Sun	2014-10-21						
chr	ZK Hu	2014-10-21						
appr	Feagle Pan	2014-10-21	product family	Bergstak	rel level			RELEASE
title	BERGSTAK 0.8mm BTB							
www.fci.com cat. no.	-							
Product	Customer drw							
sheet	3 of 6							

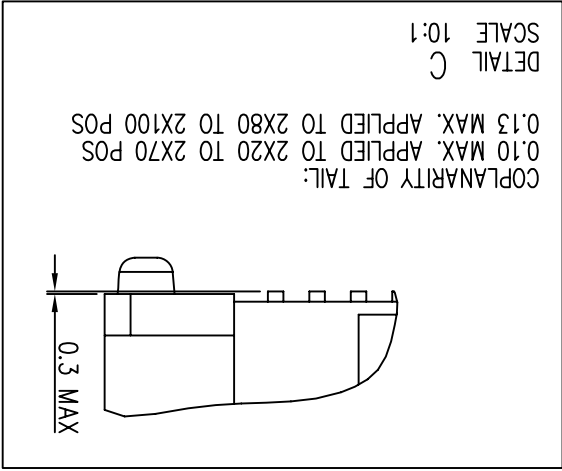
PLUG 2



PRODUCT NO.	NO. OF POSITION	DIMENSION		
		A	B	C
61083-043***	2X20	15.2	21.8	20.2
61083-063***	2X30	23.2	29.8	28.2
61083-083***	2X40	31.2	37.8	36.2
61083-103***	2X50	39.2	45.8	44.2
61083-123***	2X60	47.2	53.8	52.2
61083-143***	2X70	55.2	61.8	60.2
61083-163***	2X80	63.2	69.8	68.2
61083-183***	2X90	71.2	77.8	76.2
61083-203***	2X100	79.2	85.8	84.2



DATE CODE: XXXXXX
 DAY(01~31)
 MONTH(01~12)
 YEAR(00~99)
 DETAIL CC



dr	Guomh Sun	2014-10-21	projection	mm	size	A3	scale	3:1
eng	Guomh Sun	2014-10-21						
chr	ZK Hu	2014-10-21						
appr	Feagle Pan	2014-10-21	product family	Bergstak	rel level			
title		www.fci.com cat. no.		Product - Customer drw		sheet 4 of 6		
BERGSTAK 0.8mm BTB		PLUG ASSY		61083		AG		

D

D

C

C

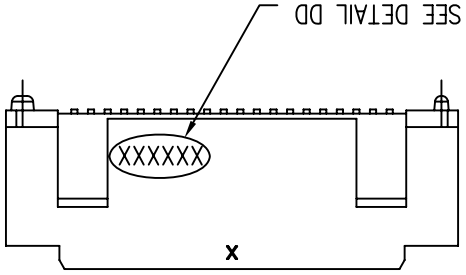
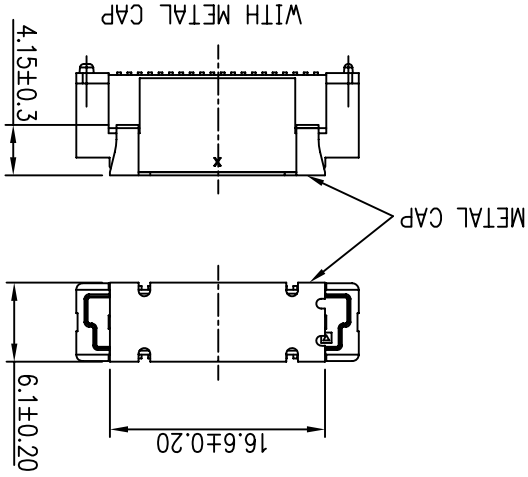
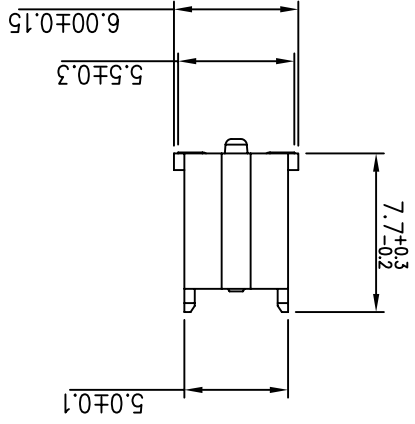
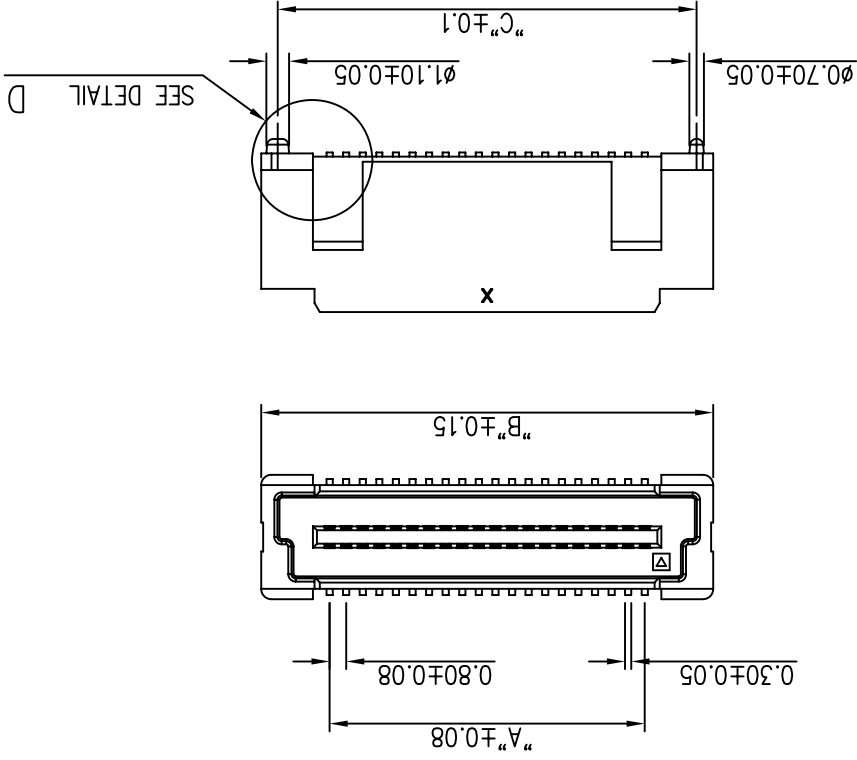
B

B

A

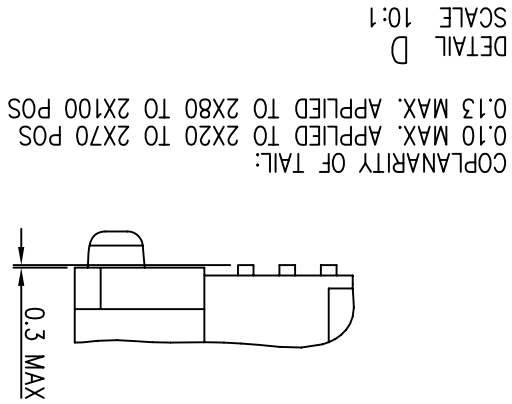
A

PRODUCT NO.	NO. OF POSITION	DIMENSION		
		A	B	C
61083-044***	2X20	15.2	21.8	20.2
61083-064***	2X30	23.2	29.8	28.2
61083-084***	2X40	31.2	37.8	36.2
61083-104***	2X50	39.2	45.8	44.2
61083-124***	2X60	47.2	53.8	52.2
61083-144***	2X70	55.2	61.8	60.2
61083-164***	2X80	63.2	69.8	68.2
61083-184***	2X90	71.2	77.8	76.2
61083-204***	2X100	79.2	85.8	84.2



DETAIL DD

DATE CODE: XXXXXX
 DAY(01~31)
 MONTH(01~12)
 YEAR(00~99)

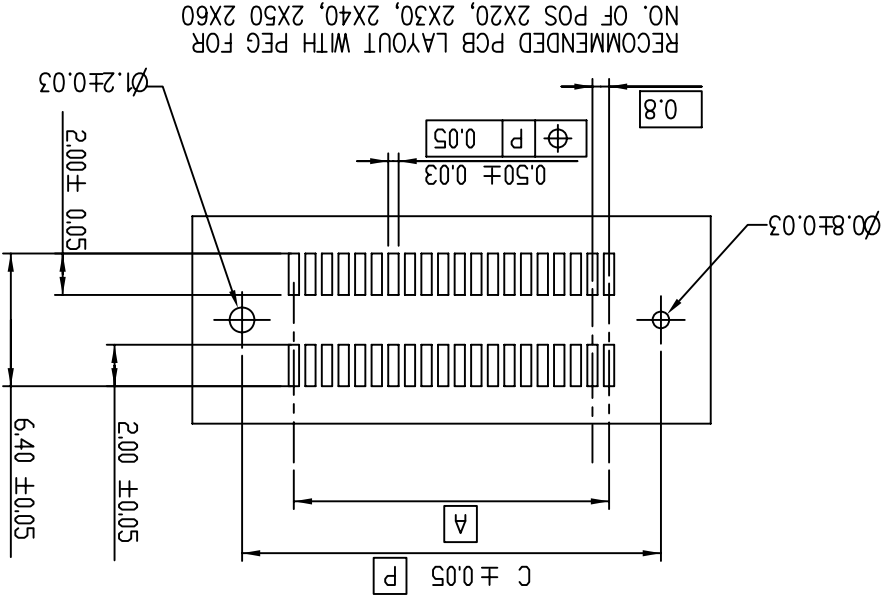
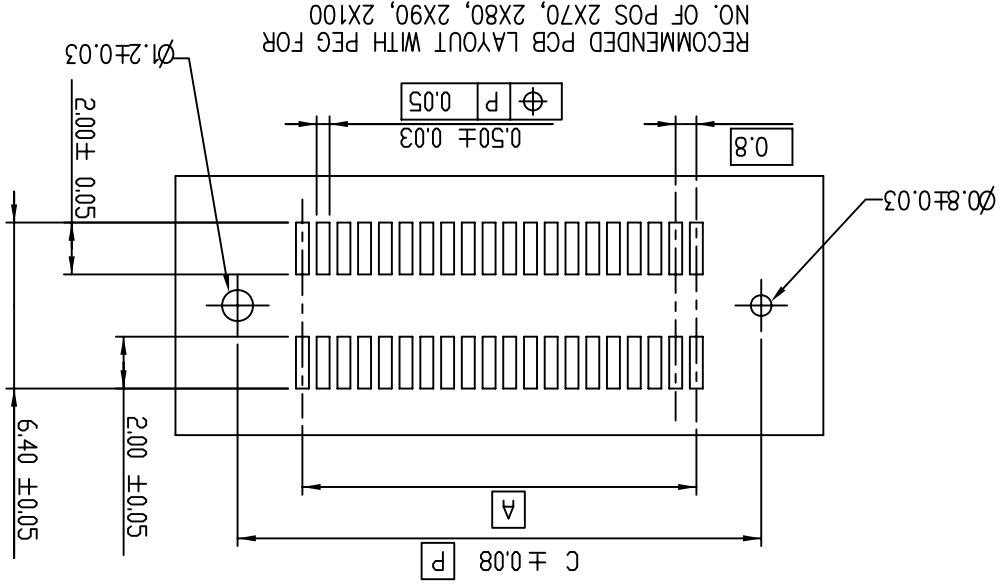
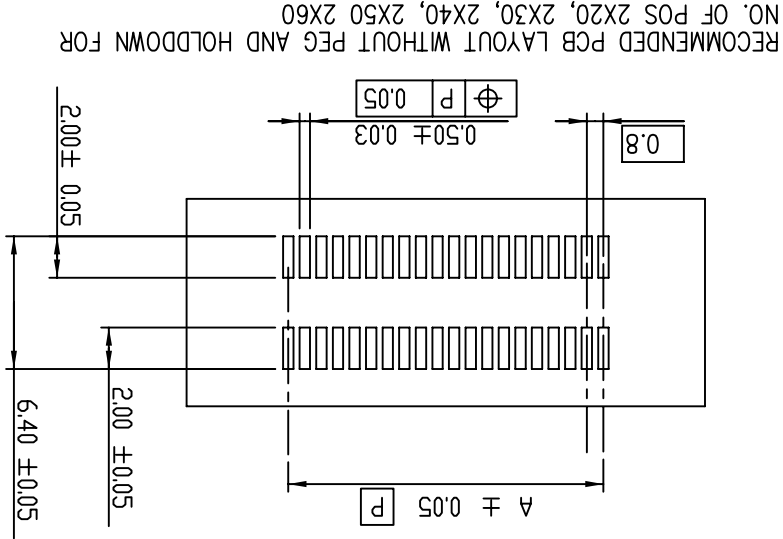


dr	Guomin Sun	2014-10-21	projection	mm	size	A3	scale	3:1
eng	Guomin Sun	2014-10-21						
chr	ZK Hu	2014-10-21						
appr	Feagle Pan	2014-10-21	product family	Bergstak	rel level		RELEASE	
title	BERGSTAK 0.8mm BTB PLUG ASSY		www.fci.com	cat. no.				
rev	61083		Product	-	Customer	Product	Customer	Product
AG								

PLUG 4



FOR PLUG 1/2/3/4



dr	Guomin Sun	2014-10-21	projection	mm	size	A3	scale	3:1
eng	Guomin Sun	2014-10-21						
chr	ZK Hu	2014-10-21						
appr	Feagle Pan	2014-10-21	product family	Bergstak	rel level	-	RELEASE	
www.fci.com	cat. no.		title	BERGSTAK 0.8mm BTB	PLUG ASSY		61083	rev
			dwg no					AG

D

C

B

A

D

C

B

A

X-ON Electronics

Largest Supplier of Electrical and Electronic Components

Click to view similar products for [Board to Board & Mezzanine Connectors](#) category:

Click to view products by [Amphenol](#) manufacturer:

Other Similar products are found below :

[10135583-642402LF](#) [89885-310LF](#) [589158040000018](#) [6-1393048-0](#) [68683-613](#) [MDF7-12DP-2.54DSA](#) [MDF7-18P-2.54DSA\(01\)](#) [MDF7-20DP-2.54DSA](#) [MDF7-26D-2.54DSA\(55\)](#) [MDF7-3P-2.54DSA\(01\)](#) [MDF7B-3P-2.54DSA\(55\)](#) [MDF7C-11P-2.54DSA\(55\)](#) [MDF7C-18P-2.54DSA\(55\)](#) [MDF7C-5P-2.54DSA\(01\)](#) [MDF7P-5P-2.54DSA\(55\)](#) [75234-0516](#) [FCN-230C068-11](#) [FCN-268F012-G/BD](#) [FCN-268F036-G/BD](#) [FCN-268M012-G/0D](#) [FCN-268M024-G/1D](#) [FCN-360C008-C](#) [FCN-360C040-C](#) [FCN-723J004/1](#) [MIS-048-01-F-D-DP-K](#) [832-10-034-10-001000](#) [93696-325LF](#) [11828-1FA](#) [AXK630345P](#) [18097-0013](#) [ICA-328STT](#) [2007042-2](#) [304400-2](#) [FCN-214Q030-G/0](#) [FCN-215Q040-G/0](#) [FCN-230C068-ESA](#) [FCN-234P048-G/0](#) [FCN-235D050-G/C](#) [FCN-360A3](#) [FCN-360C040-B](#) [210-93-314-41-105000](#) [2-22603-0](#) [379-064-521-202](#) [MDF7-12P-2.54DSA\(01\)](#) [MDF7-16P-2.54DS\(56\)](#) [MDF7-40DP-2.54DSA\(55\)](#) [MDF7-8P-2.54DSA\(55\)](#) [MDF7B-16P-2.54DSA\(55\)](#) [AXG720047](#) [5031084030](#)