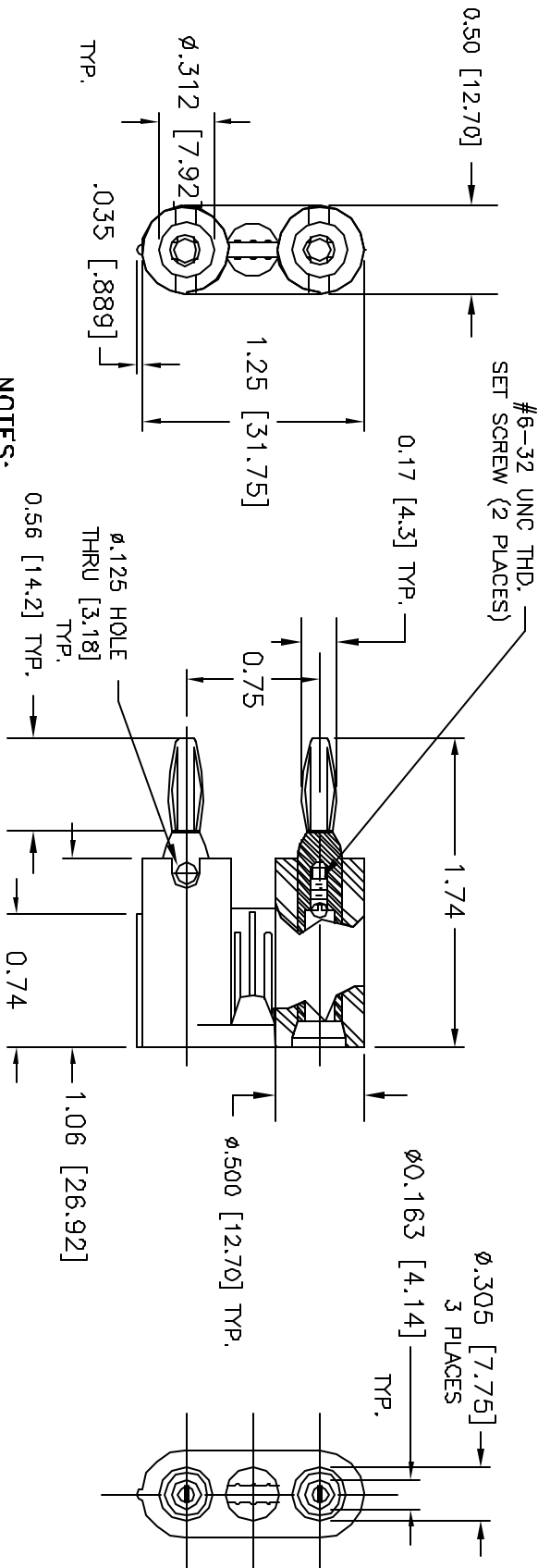


ALL RIGHTS RESERVED. NO PORTION OF THIS PUBLICATION, WHETHER IN WHOLE OR IN PART CAN BE REPRODUCED WITHOUT THE EXPRESS WRITTEN CONSENT OF SPC TECHNOLOGY.

REVISIONS		DOC. NO. SPC-F005	Effective: 12/21/98	DCP No: 880				
DCP #	REV	DESCRIPTION	DRAWN	DATE	CHECKD	DATE	APPRVD	DATE
	B	Revised & redrawn	JWM	2/9/93	JL			
1157	C	Renamed, was 6-100-*	JWM	3/8/02	JL	3/8/02	JL	3/8/02



**NOTES:**

1. MATERIAL:  
PLUG BODY: BRASS  
FOUR-LEAF SPRING: PHOSPHOR BRONZE  
SCREW: STEEL  
BODY: MOLDED POLYETHYLENE
2. FOUR-LEAF SPRING AND PLUG FINISH:  
NICKEL PLATED .0001 THICK  
SCREW FINISH: CADMIUM PLATED
3. CURRENT RATING: 15 AMPS
4. FLAMMABILITY: UL94V-0
5. CONTINUOUS USE TEMPERATURE:  
-40°C (-40°F) TO 176°F (80°C)
6. WORKING VOLTAGE: 5 K VOLTS 60 CYCLE AC
7. MATES WITH SPC TECHNOLOGY STANDARD  $\phi$ .175 BANANA JACKS AND BINDING POSTS WITH 3/4" CENTERS.
8. POLARITY INDICATED ON TOP AND SIDE.
9. CAN BE STACKED FOR MULTIPLE CONNECTIONS.
10. BUILT-IN STRAIN RELIEF FOR LONG LIFE.
11. ACCEPTS STANDARD BANANA PLUG FROM REAR.
12. CAPACITANCE: 1.0 pF

PART NUMBER	COLOR
6-100-B	BLACK
6-100-R	RED

**DISCLAIMER**  
ALL STATEMENTS AND TECHNICAL INFORMATION CONTAINED HEREIN ARE BASED UPON INFORMATION AND/OR TESTS WE BELIEVE TO BE ACCURATE AND RELIABLE. SINCE CONDITIONS OF USE ARE BEYOND OUR CONTROL, THE USER SHALL DETERMINE THE SUITABILITY OF THE PRODUCT FOR THE INTENDED USE AND ASSUME ALL RISK AND LIABILITY WHATSOEVER IN CONNECTION THEREWITH.



**SPC TECHNOLOGY**

**DRAWING TITLE:**

Banana Plugs, Dual, Solderless

DRAWN BY:	DATE:	SIZE	DWG. NO.	ELECTRONIC FILE	REV
JL	2/9/93	A	TA-504	TA-504.dwg	C
CHECKED BY:	DATE:	SCALE:	NTS	U.O.M.: INCHES [mm]	SHEET: 1 OF 1
JL	2/12/93				

Tolerances: Unless  
Otherwise Specified:  
X = ±.015  
XX = ±.010  
XXX = ±.005

## X-ON Electronics

Largest Supplier of Electrical and Electronic Components

*Click to view similar products for [Test Plugs & Test Jacks](#) category:*

*Click to view products by [Tenma](#) manufacturer:*

Other Similar products are found below :

[579-0400](#) [66000-7](#) [R644543000](#) [R921923000](#) [R921930000](#) [R941344000](#) [R948161000](#) [R999351000](#) [1408-4](#) [1533-1](#) [174-R825B-EX](#)  
[NYS508-BU](#) [1680](#) [174-R819B-EX](#) [R644543003](#) [R644543004](#) [R644543020](#) [R644543021](#) [R921926000](#) [R921931000](#) [R921932000](#)  
[R921934000](#) [R929991000](#) [R941460000](#) [R941461000](#) [R941463600](#) [R941920600](#) [R948160000](#) [31B-2-RED](#) [032-0016-023](#) [105-1106-001](#)  
[108-1000-106](#) [108-2301-621](#) [66001-9](#) [7013](#) [1395080-1](#) [930166100](#) [NYS508-GR](#) [NYS508-W](#) [NYS508-Y](#) [NYS511-R](#) [BP30-2BR10-B PKG](#)  
[BP30-10-WT](#) [BP30-2BR-B PKG](#) [BP30Y-1 PKG](#) [R941049000](#) [R941340000](#) [R948141029](#) [R921922000](#) [R644543022](#)