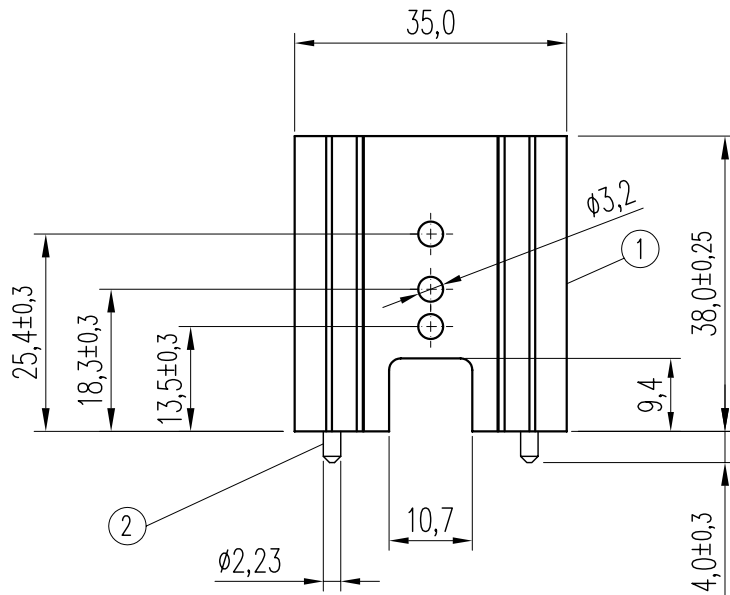
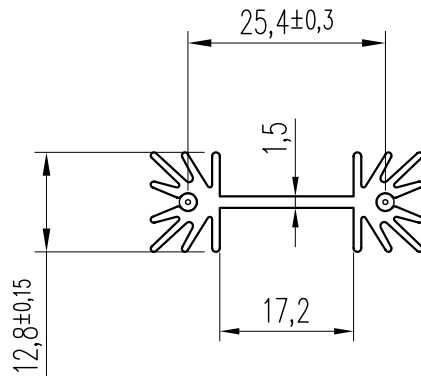




Pos.	Description	Q.ty	P/N
2	PIN-BRASS-D.2,23x15-TIN-BM012 B	2	406072G
1	HTSK-AL-OS172-38-B-ML73 6099 STD	1	405132



Note:		Scale					
ML73 (S172/38 with pins)		1:1					
THIS DOCUMENT CONTAINS AAVID THERMALLOY'S INTELLECTUAL PROPERTY WHICH IS SUPPLIED IN CONFIDENCE; IT MUST NOT BE USED FOR ANY PURPOSE OTHER THAN WHICH IT IS SUPPLIED; IT MUST NOT BE REPRODUCED WITHOUT WRITTEN PERMISSION FROM THE OWNERS				(C)			
				(DR)			
 AAVID THERMALLOY EUROPE www.aavidthermalloy.com	1	B	13Jan05	RoHS compliant pins used; ECF 327 B0 refers	AS		
		A	30Jul02	ORIGINAL (was L07385A rev.B)			
Format	A4	REV	Date	Revision description	By		
Die n.		MATERIAL Aluminium EN AW-6060			DRAWING n.	BC094	
Factor		GENERAL TOLERANCES Extrusion UNI3879			Vis. n.	405134G	
Perim.		Machining UNI2768 m			Drawn	M. Calanchi	
Area		FINISH BLACK ANODIZATION			Check		
Weight					Description: HTSK-AL-OS172-38-B-PINS-ML73 6099 STD CONF500-BC094 B		
Via XXV Aprile, 32 40057 Cadriano - Bologna ITALY Tel. +39 051 764011 Fax +39 051 764090		Cheney Manor SWINDON WILTS SN2 2QN UK Tel. +44 1793 401400 Fax +44 1793 615396		 COMPANY WITH QUALITY SYSTEM CERTIFIED BY LRQA ISO 9001:2000			

X-ON Electronics

Largest Supplier of Electrical and Electronic Components

Click to view similar products for [avid manufacturer](#):

Other Similar products are found below :

[097995X](#) [593101B03600G](#) [0S509-140-U](#) [6W-1](#) [097987X](#) [098047EB](#) [358890](#) [2207/PR11B-2ASSYG](#) [780153U04600G](#) [622852F00000G](#)
[THM6070B](#) [782452F00000G](#) [520329A00000G](#) [241404B91200G318382](#) [513002B02500](#) [025069A](#) [098067H](#) [7023B](#) [320105B00000G](#)
[623352F00000G](#) [607602F00000G](#) [098046G](#) [097990R](#) [057455](#) [358891](#) [654452F00000G](#) [780252F00000G](#) [BS595-50-B](#) [358894](#)
[683601F00000](#) [7138DG](#) [4953G](#) [647061](#) [SW38-4](#) [THM6025B](#) [603402F00000G](#) [783452F00000G](#) [780802F00000G](#) [014379X](#)
[416301U00000G](#) [1001](#) [101800F00000G](#) [568103B00000G](#) [1130BG](#) [416601U00000G](#) [783502F00000G](#) [780652F00000G](#) [780302F00000G](#)
[5901G](#) [420932X](#)