

# Plastic-bodied limit switches

## ENK

Euronorm standard switch according to  
DIN EN 50041  
Protection class IP 65  
Hinged snap lid



- Standard actuators to DIN EN 50041 form A, B, C, D, F, G
- Large range of actuators
- 4 x 90° actuator positions
- Snap action or slow make & break contacts
- Galvanically separated contacts
- Forced disconnection of NC contacts
- Metal actuators for heavy duty applications
- Cable entry M 20 x 1.5
- Protection class IP 65
- Body and lid PA 6 which is self extinguishing (UL-94-V0)

### Benefits

- Hinged snap lid for quick and easy access (screwdriver release)
- Lid hinges open to 150° (can also be simply detached)
- Internal cover protects the contacts during mounting
- Screw terminals with self lifting clamps for easy wiring
- Transparent cover for easy adjustment and inspection



### Mounting

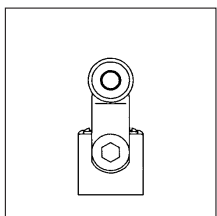
- Adjustable – two slots for M 5 screws
- Fixed - two holes for M 5 screws for safety applications

### Options

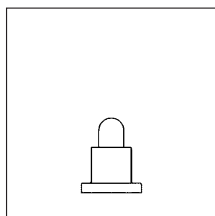
- Contact lock (safety pull button reset)
- Contact LED display (LED protected within terminal chamber)
- WK actuator (form F) can be supplied to order
- WR actuator (form G) can be supplied to order
- EEx certificated versions available acc. ATEX 100 a

Accessory equipment page 53

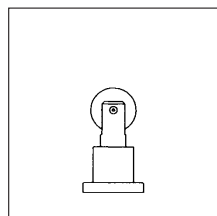
### Standard actuators DIN EN 50041



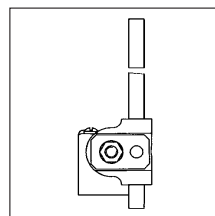
Type A



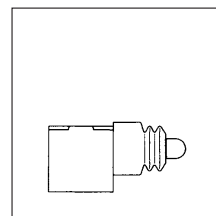
Type B



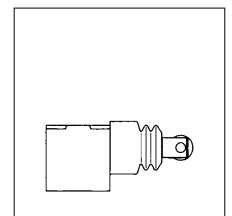
Type C



Type D



Type F  
(Built to order)



Type G  
(Built to order)

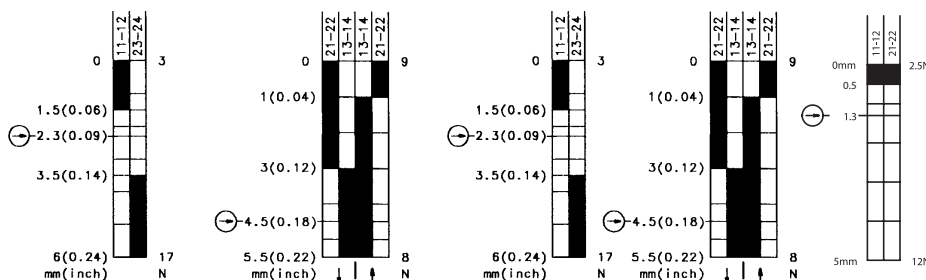
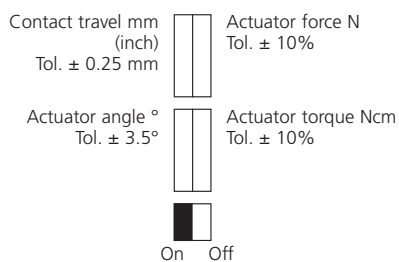
### Contact configuration

Contact type	Switch function	Switch contacts	Reference	Max. Voltage	Max. constant current
Slow make & break	Changeover	1NC/1NO	U1/U1Z	500 V	10 A
Snap action	Changeover	1NC/1NO	SU1/SU1Z	500 V	10 A
Slow make & break	NC	2NC	A2Z	400 V	6 A
Slow make & break	NC	3NC	A3Z	400 V	6 A
Slow make & break	Changeover overlapping	1NC/1NO	UV1Z	500 V	10 A



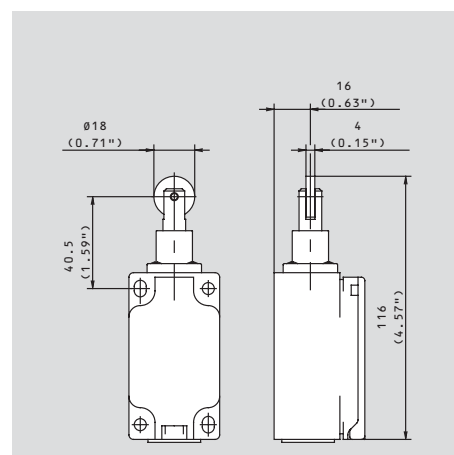
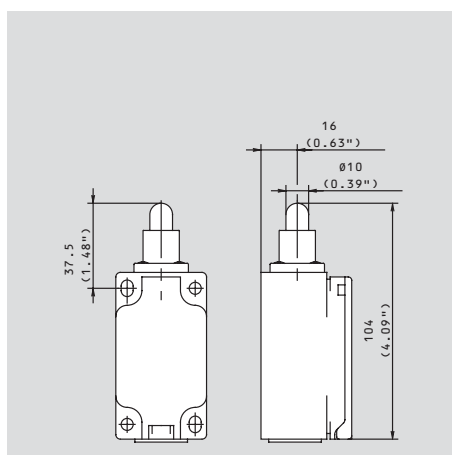
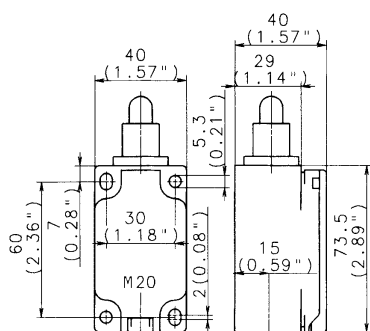
Designation  
**Part number**  
 Circuit diagram  
 ⊕ Forced disconnect to IEC 947-5-1 chapter 3  
 Za: not galvanically separated contacts  
 Zb: galvanically separated contacts  
 Slow make & break/snap-action  
 Internal seal (iw)/external seal (w)

ENK-U1Z iw	ENK-SU1Z iw	ENK-U1Z Riw	ENK-SU1Z Riw	ENK-A2Z Riw
<b>608.1102.001</b>	<b>608.1152.007</b>	<b>608.1117.002</b>	<b>608.1167.008</b>	<b>608.1817.281</b>
⊕ Zb	⊕ Zb	⊕ Zb	⊕ Zb	⊕ Zb
●/-	-/●	●/-	-/●	-/●
iw	iw	iw	iw	iw



Voltage	max.	500 V AC	500 V AC	500 V AC	500 V AC	400 V AC
Permanent current	max.	10 A	10 A	10 A	10 A	5 A
In-rush current complies with standards		●	●	●	●	●
IEC 947-5-1 AC 15/DC 13						
Switching frequency	max.	100/min.	100/min.	100/min.	100/min.	100/min.
Mechanical life – number of switching actions		10 x 10 <sup>6</sup>	10 x 10 <sup>6</sup>	10 x 10 <sup>6</sup>	10 x 10 <sup>6</sup>	1 x 10 <sup>6</sup>
Operating temperature	min./max.	-30 °C/+80 °C -22 °F/+176 °F	-30 °C/+80 °C -22 °F/+176 °F	-30 °C/+80 °C -22 °F/+176 °F	-30 °C/+80 °C -22 °F/+176 °F	-30 °C/+80 °C -22 °F/+176 °F
Standard actuator	form	B	B	C	C	C
Approvals		UL, CSA	UL, CSA	UL, CSA	UL, CSA	UL, CSA
Weight		0.15 kg/0.33 lb	0.15 kg/0.33 lb	0.16 kg/0.33 lb	0.16 kg/0.33 lb	0.16 kg/0.33 lb
Delivery: ex-stock/built to order		●/-	●/-	●/-	●/-	●/-

All dimensions in mm (inch)

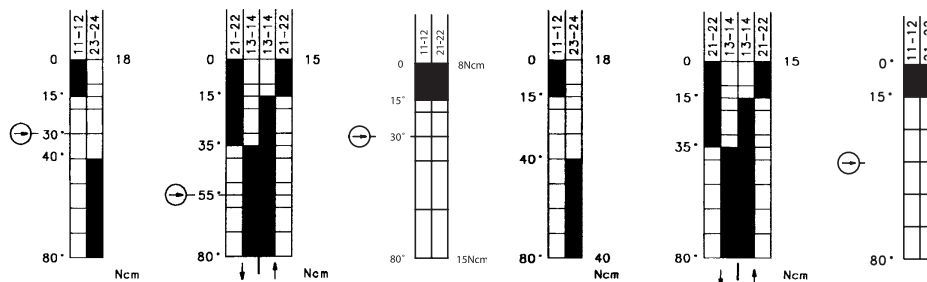




Designation  
**Part number**  
 Circuit diagram  
 ⊕ Forced disconnect to IEC 947-5-1 chapter 3  
 Za: not galvanically separated contacts  
 Zb: galvanically separated contacts  
 Slow make & break/snap-action  
 Internal seal (iw)/external seal (w)

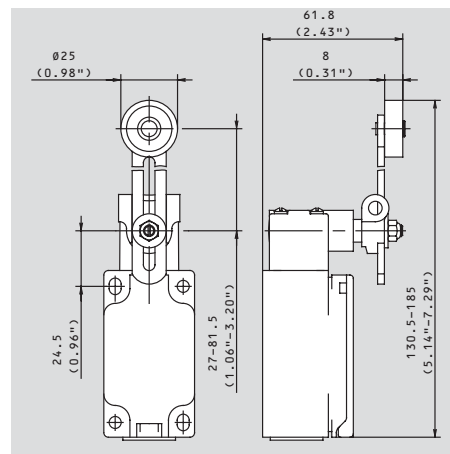
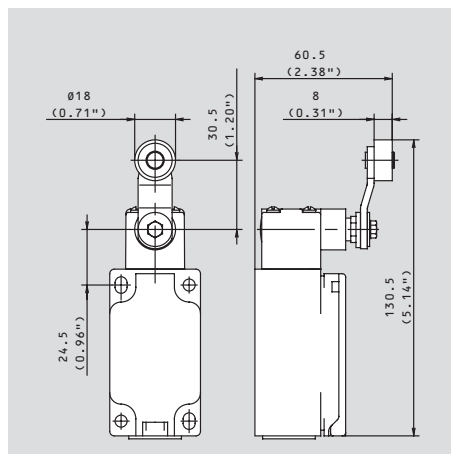
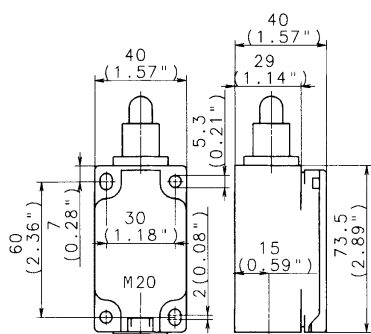
ENK-U1Z AHS-V	ENK-SU1Z AHS-V	ENK-A2Z AHS-V	ENK-U1 AV	ENK-SU1 AV	ENK-A2 AV
608.1135.003	608.1185.009	608.1835.323	608.1136.012	608.1186.018	608.1836.319
⊕ Zb	⊕ Zb	⊕ Zb	Zb	Zb	Zb
●/-	-/●	-/●	●/-	-/●	●/-
iw	iw	iw	iw	iw	iw

Contact travel mm (inch)  
 Tol. ± 0.25 mm  
 Actuator force N  
 Tol. ± 10%  
 Actuator angle °  
 Tol. ± 3.5°  
 Actuator torque Ncm  
 Tol. ± 10%  
 On Off



Voltage	max.	500 V AC	500 V AC	400 V AC	500 V AC	500 V AC	400 V AC
Permanent current	max.	10 A	10 A	5 A	10 A	10 A	5 A
In-rush current complies with standards		●	●	●	●	●	●
IEC 947-5-1 AC 15/DC 13							
Switching frequency	max.	100/min.	100/min.	100/min.	100/min.	100/min.	100/min.
Mechanical life – number of switching actions		10 x 10 <sup>6</sup>	10 x 10 <sup>6</sup>	1 x 10 <sup>6</sup>	10 x 10 <sup>6</sup>	10 x 10 <sup>6</sup>	10 x 10 <sup>6</sup>
Operating temperature	min./max.	-30 °C/+80 °C -22 °F/+176 °F	-30 °C/+80 °C -22 °F/+176 °F	-30 °C/+80 °C -22 °F/+176 °F	-30 °C/+80 °C -22 °F/+176 °F	-30 °C/+80 °C -22 °F/+176 °F	-30 °C/+80 °C -22 °F/+176 °F
Standard actuator	form	A	A	A	-	-	-
Approvals		UL, CSA	UL, CSA	UL, CSA	UL, CSA	UL, CSA	UL, CSA
Weight		0.23 kg/0.51 lb	0.23 kg/0.51 lb	0.23 kg/0.51 lb	0.24 kg/0.53 lb	0.24 kg/0.53 lb	0.24 kg/0.53 lb
Delivery: ex-stock/built to order		●/-	●/-	●/-	●/-	●/-	●/-

All dimensions in mm (inch)





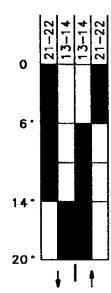
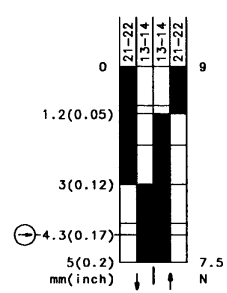
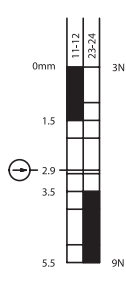
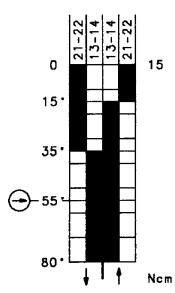
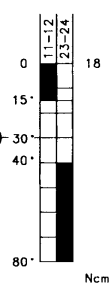
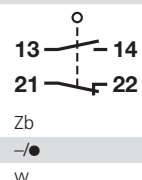
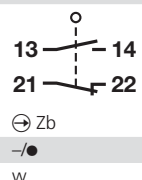
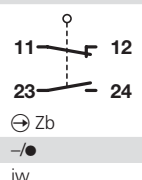
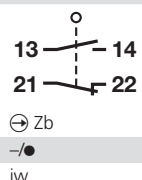
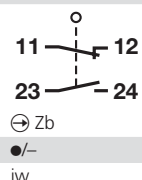
ENK-U1Z AD  
608.1137.011

ENK-SU1Z AD  
608.1187.017

ENK-U1Z Hw  
608.1121.095

ENK-SU1Z Hw  
608.1171.096

ENK-SU1 FF  
608.1190.045



500 V AC  
10 A

500 V AC  
10 A

500 V AC  
10 A

500 V AC  
10 A

500 V AC  
10 A

100/min.  
10 x 10<sup>6</sup>  
-30 °C/+80 °C  
-22 °F/+176 °F

100/min.  
10 x 10<sup>6</sup>  
-30 °C/+80 °C  
-22 °F/+176 °F

100/min.  
10 x 10<sup>6</sup>  
-30 °C/+80 °C  
-22 °F/+176 °F

100/min.  
10 x 10<sup>6</sup>  
-30 °C/+80 °C  
-22 °F/+176 °F

100/min.  
10 x 10<sup>6</sup>  
-30 °C/+80 °C  
-22 °F/+176 °F

D  
UL, CSA

D  
UL, CSA

D  
UL, CSA

-  
UL, CSA

-  
UL, CSA

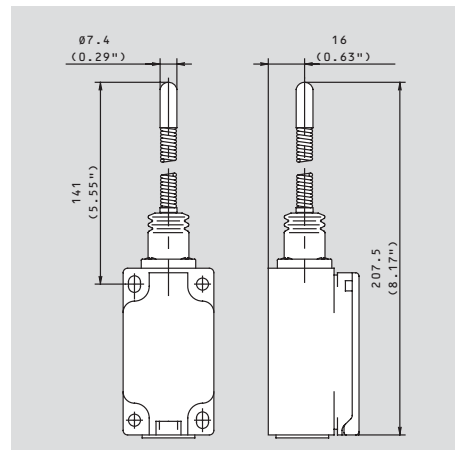
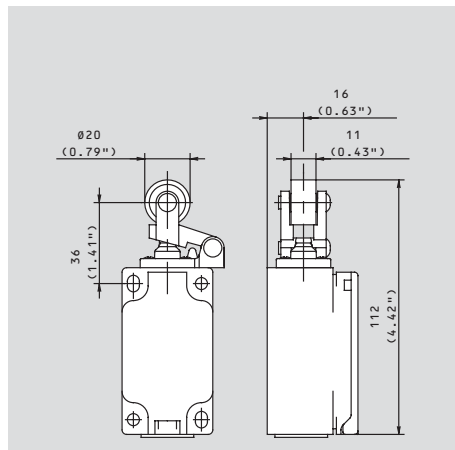
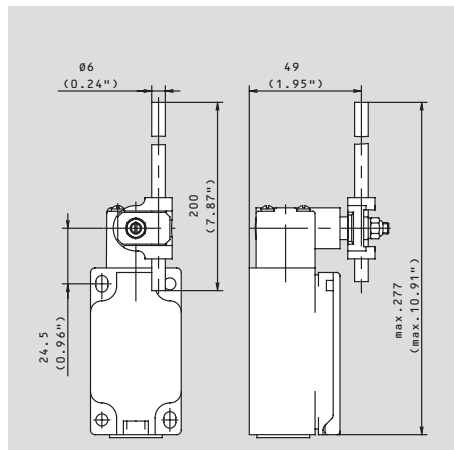
0.23 kg/0.51 lb

0.23 kg/0.51 lb

0.16 kg/0.35 lb

0.16 kg/0.35 lb

0.15 kg/0.35 lb



## X-ON Electronics

Largest Supplier of Electrical and Electronic Components

*Click to view similar products for [Limit Switches](#) category:*

*Click to view products by [Bernstein](#) manufacturer:*

Other Similar products are found below :

[6LS2-4PG](#) [5ML1-E1](#) [5ML31](#) [LZG1](#) [LZL1-6C](#) [622EN114-R](#) [622EN18-6](#) [622EN224-6B](#) [622EN230](#) [622EN237-R](#) [622EN69-3](#) [622EN85-RB](#)  
[MA-10019](#) [6PA109](#) [7LS51](#) [83547001](#) [83725002](#) [83830001](#) [83840001](#) [83840701](#) [83841001](#) [83870104](#) [83881140](#) [8AS42](#) [8LS10](#) [8LS125-](#)  
[4PG](#) [8LS152-4PGN20](#) [914CE16-3A](#) [914CE16-AQ](#) [914CE3-3L1](#) [915PA10](#) [91MCE16-P2O](#) [924CE16-Y3](#) [924CE1-S6](#) [924CE1-T25A](#)  
[924CE1-T3](#) [924CE1-T9A](#) [924CE2-T9](#) [924CE31-Y20-X5](#) [924CE31-Y3L1](#) [GL-10054](#) [GL-85710](#) [GL-85714](#) [GLAB26J2B](#) [GLDB03C-6](#)  
[GLZ324](#) [PS21R-NT11N7-YK0](#) [D4A-1106N](#) [D4A1201N](#) [D4A-3E02N](#)