

# Ionizer Mounting Arm Installation and Maintenance



Made in the  
United States of America



Figure 1. Desco [60466](#) Ionizer Mounting Arm

## Description

The Desco [60466](#) Ionizer Mounting Arm is designed as a mounting alternative for the Chargebuster® Jr. Ionizer, High Output Benchtop Ionizer and Benchtop Zero Volt Ionizer. The arm allows the ionizer to be mounted off the worksurface, saving valuable work space. The articulated movement of the arm assembly allows the user to focus the ionizer's output directly onto the desired areas. The Ionizer Mounting Arm includes a C-clamp for ease of installation.

The Desco [60466](#) Ionizer Mounting Arm is compatible with the following items:

Item	Description
<a href="#">50663</a>	Benchtop Zero Volt Ionizer, 120VAC
<a href="#">50670</a>	Benchtop Zero Volt Ionizer, 220VAC
<a href="#">50690</a>	Benchtop Zero Volt Ionizer, 120VAC
<a href="#">50691</a>	Benchtop Zero Volt Ionizer, 220VAC
<a href="#">60500</a>	Chargebuster® Jr. Ionizer, 120VAC
<a href="#">60501</a>	Chargebuster® Jr. Ionizer with Heater, 120VAC
<a href="#">60505</a>	High Output Benchtop Ionizer, 120VAC
<a href="#">60515</a>	High Output Benchtop Ionizer, 220VAC

## Packaging

- 1 Ionizer Mounting Arm with C-Clamp
- 4 Screws

## Installation

1. Secure the arm to the desired location of the workbench using the C-clamp located at the base of the arm.



Figure 2. Using the C-clamp to secure the Ionizer Mounting Arm to a workbench

2. Remove the benchtop ionizer from its stand, and secure the stand to the end of the mounting arm using the 4 included screws.

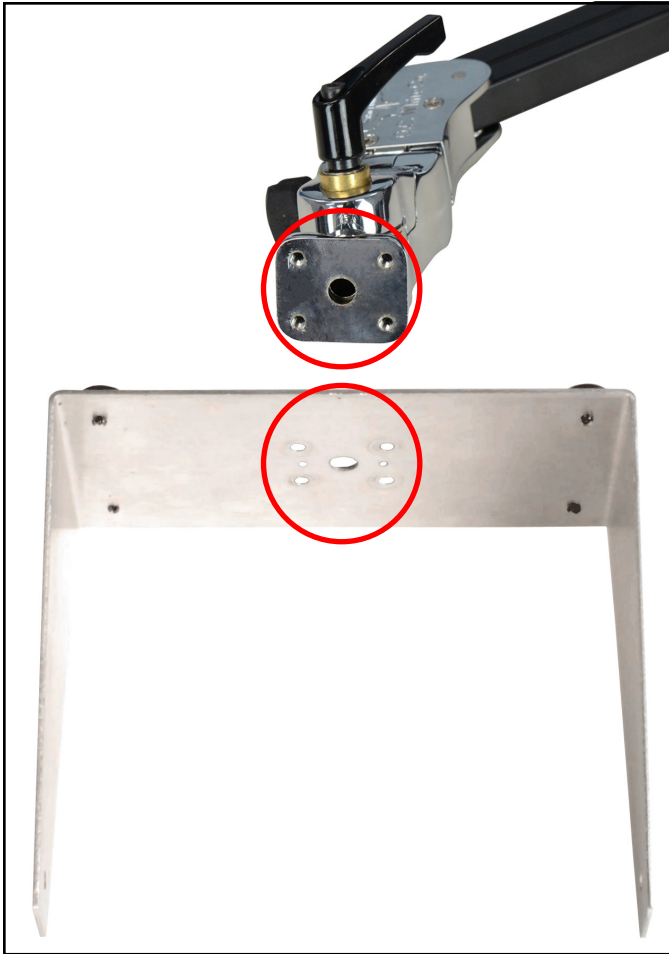


Figure 3. Locating the mounting holes on the ionizer's stand

3. Secure the benchtop ionizer back to the stand.
4. Connect the power cord to the ionizer and an appropriate electrical receptacle.

NOTE: The Ionizer Mounting Arm is not compatible with Desco ionizers built prior to 2011. Use the drill pattern below to modify a bracket to fit the Ionizer Mounting Arm.

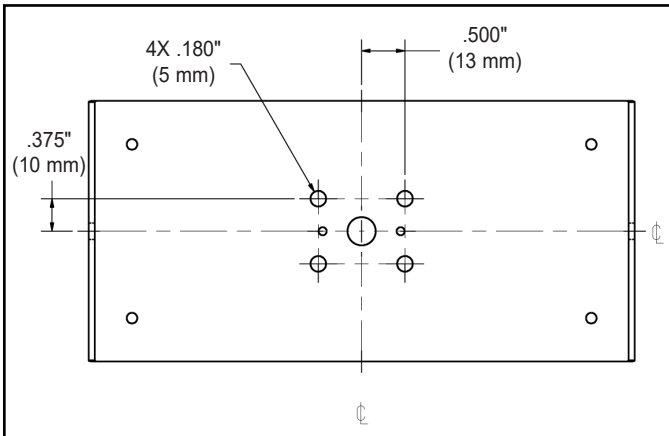


Figure 4. Drill pattern for Ionizer Mounting Arm

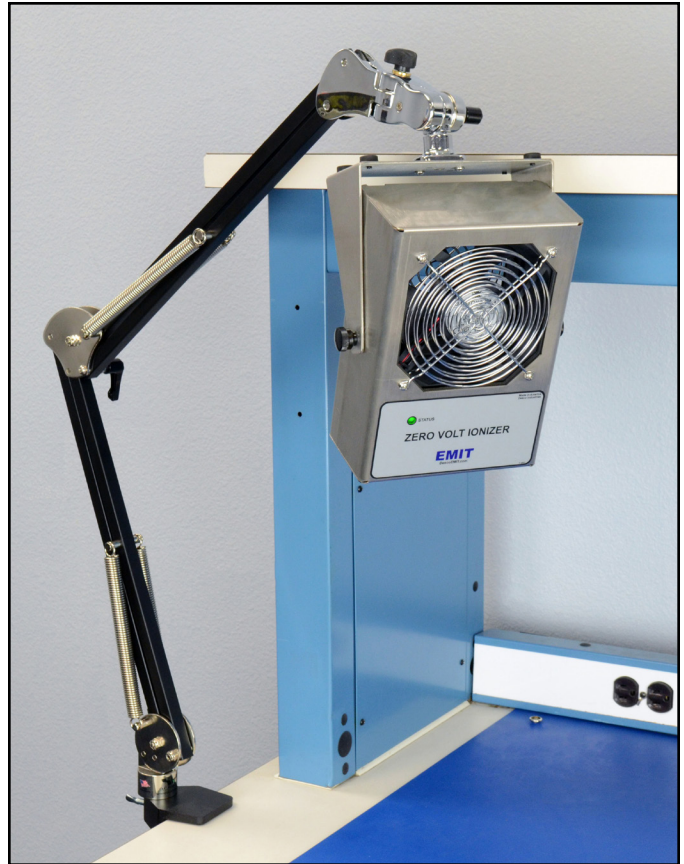


Figure 5. Using the Ionizer Mounting Arm with the Benchtop Zero Volt Ionizer

## Specifications

Construction	Metal with springs
Weight	4.8 lbs. (2.2 kg)
Maximum Extension	38" (965 mm)
Maximum Weight Capacity	8 lbs. (3.6 kg)

### Limited Warranty, Warranty Exclusions, Limit of Liability and RMA Request Instructions

See the Desco Warranty - [Desco.com/Limited-Warranty.aspx](http://Desco.com/Limited-Warranty.aspx)

## X-ON Electronics

Largest Supplier of Electrical and Electronic Components

*Click to view similar products for [AntiStatic Control Products](#) category:*

*Click to view products by [Pro Power](#) manufacturer:*

Other Similar products are found below :

[13505](#) [13870](#) [14404](#) [20-053-0017](#) [2229](#) [2231](#) [3039](#) [37061](#) [39792](#) [42470](#) [XON-ASB4X30](#) [XON-ASB4X6](#) [XON-ASB6X30](#) [09813](#) [09857](#)  
[XON-ASB8X10](#) [XON-ASB6X10](#) [19695](#) [09037](#) [68101](#) [68103](#) [73741](#) [13515](#) [13869](#) [13868](#) [13485](#) [13457](#) [13245](#) [13332](#) [13205](#) [13135](#) [91070](#)  
[8031](#) [8523](#) [13080](#) [13215](#) [157](#) [ROLL BEIGE 1.0](#) [VERAX1R-300R](#) [17260](#) [66051](#) [12550](#) [19863](#) [09121](#) [73831](#) [13340](#) [13338](#) [04541](#) [19696](#)  
[16104](#) [SPI-20686](#)