

# Product Data Sheet



## 603 GP XX

Replace "XX" with 01 through 8 for number of poles

**Terminal Block– Open Back**  
**50 Amps, 600 Volts (AC/DC)**



(6 Pole shown)

**Insulator Strip Required for Voltage Rating**

**Copper Wire Only**

Wire Range with Wire Binding Screw: #10 - #12 AWG

Wire Range with Listed Ring or Fork Lug: #6 - #16 AWG

11/16" Centers

Application torque: 20 in. lbs

### **Electrical Ratings:**

- 50A with wire binding screw, (Based on NEC Table 310-16, 75°C columns)
- 65A with Listed Ring or Fork lug, (Based on NEC Table 310-16, 75°C columns)
- 600 Volts AC/DC (UL 1059 Class B, User Group – Commercial Appliances)
- Short Circuit Current Rating: 10,000A (Default)
- Approved for Factory and Field Wiring.

### **Mechanical Ratings:**

- Storage and transportation temperature range: -35°C to 110°C (-31°F to 230°F)\*
  - Maximum insulator base temperature: 150°C (302°F)\* UL RTI
  - Flammability rating of insulator base: UL 94V-0
- \* Use outside these ratings needs to be judged in the end-use application.

### **Materials:**

- Connector: Brass, nickel plated.
- Insulator base: Phenolic
- Screw, #10-32 Binder head, Phil-Slot: Steel, nickel plated
- Rivet: Brass, tin plated.

### Agency Approvals:

- UL Recognized, UL 1059 Terminal Block Standard, File No. XCFR2.E47811
- CSA Certified, CSA C22.2 No. 158, File No. LR19766
- CE compliant, IEC 60947-7-1
- RoHS Compliant

### Wire Range (with wire binding screw):

		Copper Wire Stranding Classes - Number of Strands		
Wire Size	Torque	Solid	Class B	Class C
10	20 in. lbs	1	7	19
12	20 in. lbs	1	7	19

### Wire Range (with Listed ring or fork lug):

		Copper Wire Stranding Classes - Number of Strands		
Wire Size	Torque	Solid	Class B	Class C
6	20 in. lbs	1	7	19
8	20 in. lbs	1	7	19
10	20 in. lbs	1	7	19
12	20 in. lbs	1	7	19
14	20 in. lbs	1	7	19
16	20 in. lbs	1	7	19

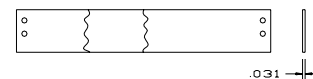
Suggested product mounting hardware: #8 fastener, torque to 15 - 25 in. lbs.

### ACCESSORIES:

• JJ (GDI-30F) Material available. Glass-fiber filled, diallyl ortho-phthalate. UL-94 V0. Certifiable to Military Specifications MIL-M-14 and MIL-P-19833.

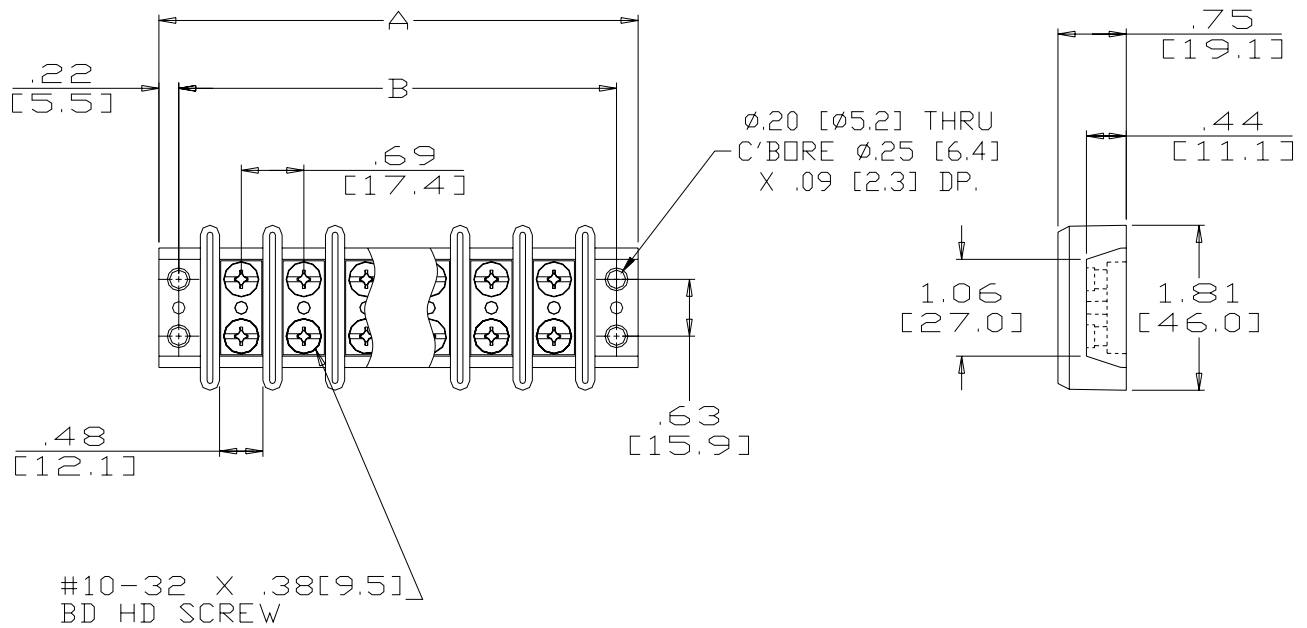
• Printing (for printing options, <http://marathonsp.com/CatalogPDFs/TBPrinting.pdf>)

• Marking strips - sub mounted or top mounted. Can be made from XP (general purpose laminate), XXXPFR (flame retardant), GME (glass cloth melamine), or GEE (glass cloth epoxy) material. <http://marathonsp.com/CatalogPDFs/MarkingStrips.pdf>



• Insulator strips - sub mounted, black only (BB) (Printing Unavailable). Insulator Strip will be the same width as the molding.

• Phil-Slot Brass Screw (PSB)



**Dimensions**

		<b>A</b>	<b>B</b>
603 GP 01	1	1.81	1.38
603 GP 02	2	2.50	2.06
603 GP 03	3	3.19	2.75
603 GP 04	4	3.88	3.44
603 GP 05	5	4.56	4.13
603 GP 06	6	5.25	4.81
603 GP 07	7	5.94	5.50
603 GP 08	8	6.62	6.19
603 GP 09	9	7.31	6.87
603 GP 10	10	8.00	7.56
603 GP 11	11	8.68	8.25
603 GP 12	12	9.37	8.94

MM = Dim X 25.4

[WWW.MARATHONSP.COM](http://WWW.MARATHONSP.COM)  
 1-419-352-8441

## X-ON Electronics

Largest Supplier of Electrical and Electronic Components

*Click to view similar products for [marathon manufacturer](#):*

Other Similar products are found below :

[104](#) [599-GP-2004-10](#) [600-2004-3-SP](#) [600-GP-20](#) [600TS-10](#) [601-GP-2102-02](#) [601-GP-3/4ST-12](#) [601-GPYSY-03](#) [601-JJ-06](#) [602-GPYSY-22](#)  
[603-2302-04](#) [603-JJ-04](#) [603-JJ-07](#) [604-JJ-06](#) [605-GP-03SLB](#) [605-JJ-02](#) [651-XPR-13](#) [670-3/4ST-9](#) [670A-GP-3000-18](#) [670A-GP-3000-25](#)  
[670A-GP-3000-27](#) [670A-GP-3/4ST-10](#) [670-GP-19](#) [CW205-01C](#) [671-RZ-25](#) [672-GPY-05](#) [672-RZ-24](#) [699-GP-2102-08](#) [699-GP-2120-12](#)  
[6F30A3S](#) [6H38-TSKK-C](#) [6R30A3SP](#) [F600A1B](#) [F600A3B](#) [F60A1B](#) [799-6-KT28](#) [799-7-KT28](#) [FPB33588](#) [8TBJ02](#) [R30A1B](#) [RF400A3B](#)  
[1321970](#) [1322970CH](#) [1320972](#) [1331955](#) [1332270](#) [1332554CH](#) [1333280CH](#) [1333575CH](#) [1353701](#)