

<a href="#">Home</a>	<a href="#">Products</a>	<a href="#">Solutions</a>	<a href="#">Aavid Design</a>	<a href="#">Tools &amp; Docs</a>	<a href="#">Contact</a>	<a href="#">Company</a>	<a href="#">Online Store</a>
----------------------	--------------------------	---------------------------	------------------------------	----------------------------------	-------------------------	-------------------------	------------------------------

[» Board Level Products](#)

## 6038DG

TO-220, TO-220-single gauge (0.020")



Channel style heat sink with integrated clip

This non-electronic component is functionally unaffected by the normal soldering or reflow processes used for semiconductor circuits. The heat resistance time or heat resistance temperature is not applicable for the component.

**Height:** 29.97

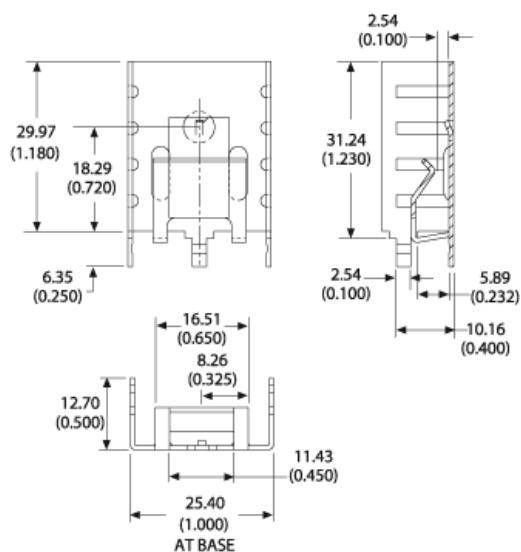
**Mount Orientation:** Vertical

**Finish:** Tin Plated

**RoHS:** compliant

[Download PCN](#)

**Thermal Resistance:** 18.00



X Dim: 12.29 (0.484) | Y Dim: 8.08 (0.318) | YT Dim: 0.41 (0.016) | Z Dim: 3.81 (0.150)

### Need assistance?

Call us: 1-855-32-AAVID

Email: [estore@aavid.com](mailto:estore@aavid.com)

[» Help Page](#)

### Check Stock

Enter a part number for pricing and availability.

[Request a Sample ▶](#)

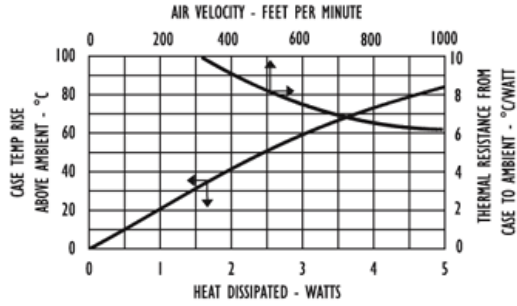
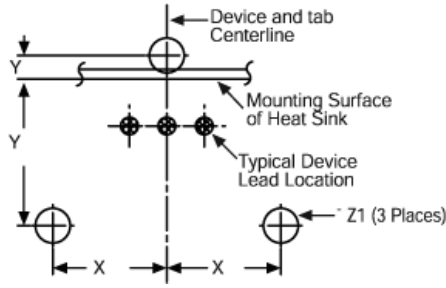
[Request a Quote ▶](#)

[Ask an Engineer ▶](#)

[» Product Return Policy](#)

[» Terms & Conditions](#)

[» Privacy Policy](#)



**Customer Assistance**

- [Contact Us](#)
- [Get Design assistance](#)
- [Find a Distributor](#)
- [Find a Sales Rep](#)
- [Request a Quote](#)
- [Placing an Order](#)
- [Terms and Conditions](#)
- [Returns](#)

**Popular Products**

- [Extrusions](#)
- [Board Level](#)
- [Liquid Cooling](#)
- [Heat Pipe Technology](#)
- [Heat Sink Accessories](#)
- [Interface Materials](#)

**Our Company**

- [About Aavid](#)
- [News and Events](#)
- [Management Team](#)
- [Worldwide Locations](#)
- [Directions to Headquarters](#)
- [Disclaimer](#)
- [Customer Survey](#)
- [Privacy Policy](#)

Sign up to receive Aavid news & alerts

email address



Aavid will lead the electronics thermal management industry worldwide. We will be the first company customers call to enable their thermal designs anywhere in the world. We will respond with extraordinary speed and will provide them with timely and cost-effective solutions because we understand their needs, their industry, and their culture. 2012 Aavid Thermalloy, LLC

## X-ON Electronics

Largest Supplier of Electrical and Electronic Components

*Click to view similar products for [Heat Sinks](#) category:*

*Click to view products by [Aavid](#) manufacturer:*

Other Similar products are found below :

[581102B00000G](#) [630-35ABT3](#) [656-15ABPE](#) [657-20ABPNE](#) [7020B-TC12-MTG](#) [73452PPBA](#) [7721-13NG](#) [7G0011A](#) [FI306/SE](#) [PF720G](#)  
[A22-4026](#) [120-1873-007](#) [HAH10L](#) [HF20](#) [1542256-2](#) [1542026-1](#) [1542616-1](#) [HS-2506-F1](#) [HS-87M0-F2](#) [218-40CTE3](#) [25-7520](#)  
[188854F00000G](#) [F-QB-F1](#) [APA501-60-003](#) [253-122ABE-22](#) [PSC22CB](#) [CLP-201](#) [CLP212SG](#) [CLP-7701G](#) [HAA072](#) [HAA083](#) [HAF10L](#)  
[HAQ10T](#) [D10100-28](#) [TO5-002D](#) [513101B02500G](#) [BDN183CBA01](#) [531202B0000](#) [HS-56M0-C1](#) [3-21053-4](#) [TX0506-1B](#) [TX1806B](#)  
[336614B-00000](#) [V2004X](#) [LAE66A3CB](#) [WA-DT2-101E](#) [511-3U](#) [017177](#) [530510B00000G](#) [6110BG](#)