

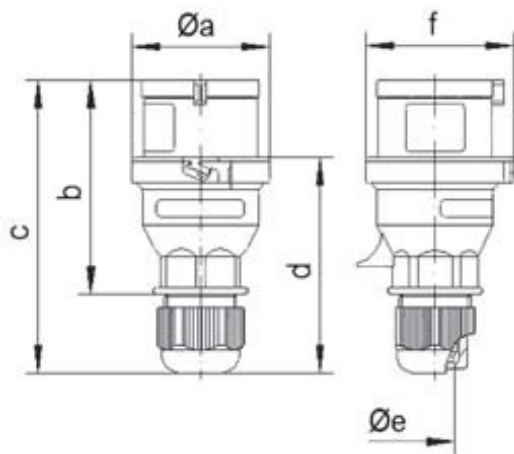
**Quick Connect Blue Plug with Multi-Grip Cable Gland 2P+E (6H) IP44 16A  
240V**



**Dimensions**

All dimensions in mm.

aØ	b	c	d
53	93.5	134	97.5
eØ	f	Conductor mm <sup>2</sup> min	Conductor mm <sup>2</sup> max
18	57.5	1	2.5



## **X-ON Electronics**

Largest Supplier of Electrical and Electronic Components

*Click to view similar products for [ceenorm](#) manufacturer:*

Other Similar products are found below :

[112001](#) [2125](#) [3126](#) [3138](#) [21013-TLS](#) [13668](#) [21001-TLS](#) [31001-TLS](#)