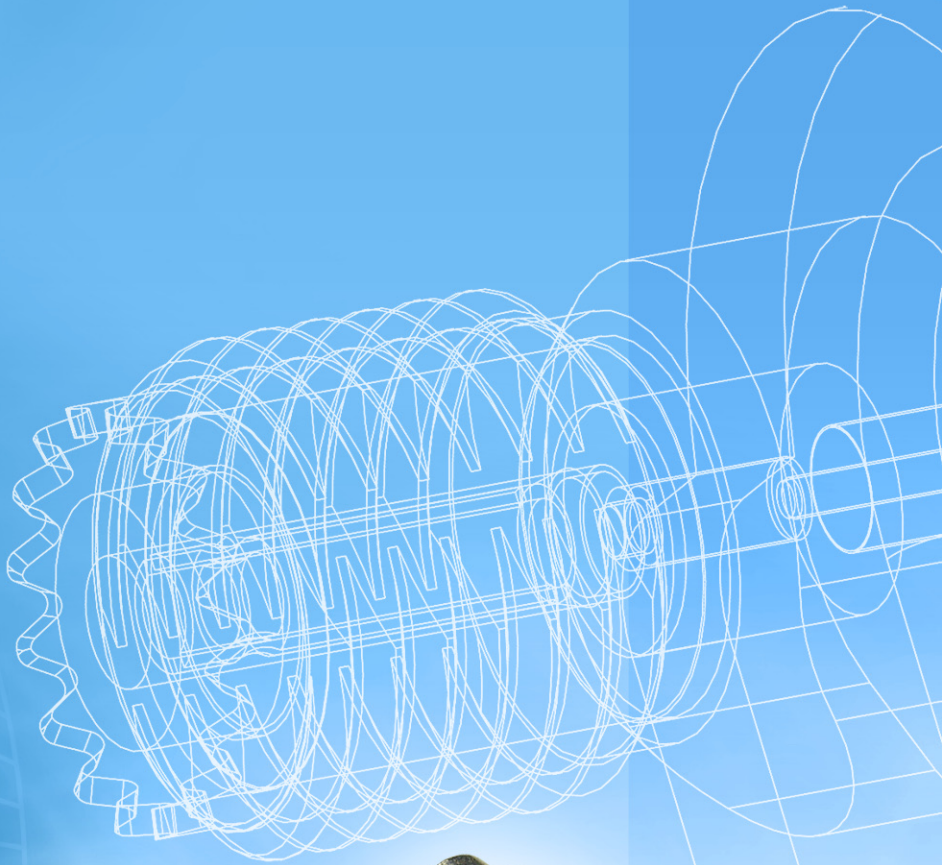


MINI-UHF



Mini-UHF Connectors

Mini-UHF Connectors

Description

Mini-UHF is a miniature version of the UHF connectors that were developed for use in the radio industry. Mini-UHF connectors are designed for use as coaxial interconnection in cell phones, automotive systems, and similar applications where size, weight, and cost factors are critical. Mini-UHF connectors terminate to RG-58, RG-58A, RG-58B, RG-58C, and Belden 9258 cables. Crimp-type cable plugs and jacks are available as well as panel and printed circuit board receptacles.

Features/Benefits

- Miniature 3/8-24 thread size provides excellent RF performance
- The small size and light weight provide excellent electrical characteristics
- Crimp-type cable terminations provide low installation cost
- Diecast bodies and molded insulators ensure low cost
- Teflon insulators provide higher temperature range

Applications

- Antennas
- Cable Assemblies
- Cellular

Mini-UHF

Mini-UHF Specifications

Electrical

Impedance	50 Ω
Frequency range	DC - 2.5 GHz
VSWR	1.25 max. @ DC - 2.5 GHz
Voltage rating (at sea level)	≤ 335 Vrms (depending on cable)
Insulation resistance	5,000 MΩ minimum
Dielectric withstanding voltage	1,000 Vrms (at sea level)

Mechanical

Mating	3/8-24 threaded coupling
Braid/Jacket cable affixment	Hex crimp
Center conductor cable affixment	Crimp

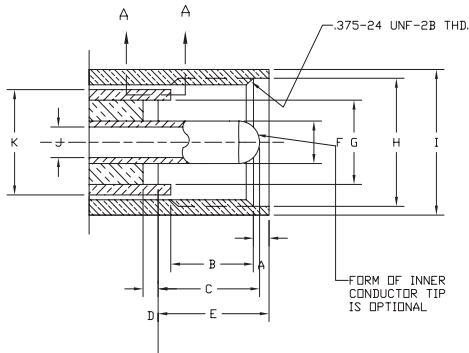
Environmental

Temperature range	-55°C to +85°C
Thermal shock	MIL-STD-202, method 107, cond. A
Corrosion	MIL-STD-202, method 101, cond. B
Vibration	MIL-STD-202, method 204, cond. A
Mechanical shock	MIL-STD-202, method 213, cond. 1

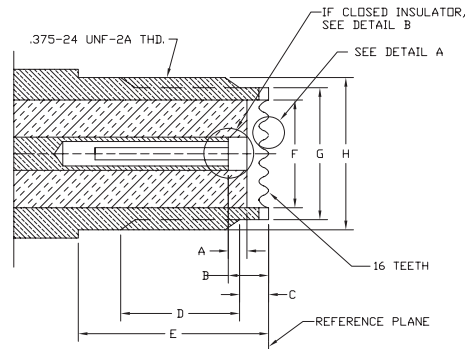
Material

Other metal parts	Brass or zinc alloy, nickel plated
Insulator	PTFE

Plug

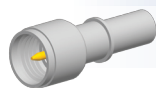


Jack



Cable Connectors

Straight Plugs



Cable Group	Part Number	Body	Plating		Termination	
			Contact	Body	Contact	
C	81-115N-1000	Nickel	Gold	Crimp	Crimp	
C	81-115BK-1000	Black Chromate	Gold	Crimp	Crimp	
E	81-181-RFX	Nickel	Gold	Crimp	Solder	
G2	81-114-RFX	Nickel	Gold	Crimp	Solder	

Angle Plugs



Cable Group	Part Number	Body	Plating		Termination	
			Contact	Body	Contact	
C	81-141-1002	Nickel	Tin	Crimp	Solder	

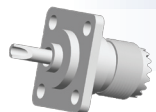
Straight Jacks



Cable Group	Part Number	Body	Plating		Termination	
			Contact	Body	Contact	
C	81-116	Nickel	Tin	Crimp	Gold	
C	81-183-RFX	Nickel	Gold	Crimp	Solder	
E	81-182-RFX	Nickel	Gold	Crimp	Solder	

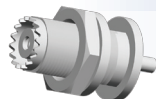
Receptacles

Straight Panel Jacks



Part Number	Body	Plating	
		Contact	Body
81-118-1001	Nickel	Tin	

Straight Bulkhead Jacks



Part Number	Body	Plating	
		Contact	Body
81-120	Nickel	Tin	

Notes

Cable Group	Cable Type
A	RG-178, 196
B	RG-174, 188A, 316, Belden 7805
B1	RG-179, 187, Belden 9221
B2	RD-188/U, RD-316/U
B3	RD-179/U, AT&T 19224L2
C	RG-58, 58A, 58C, 141, 303, LMR195, Belden 7806A, 9907
C1	RG-55, 142, 223, 400
C2	LMR200, Belden 7807A
D	RG-58/U Plenum, Thinnet, RG-122/U, Belden 88240, 89907
E	RG-59, 62, 140, 210, Belden 8241, 8263, 8279, 9209
E1	RG-59/U 20 AWG center conductor, Belden 1426A, 1505A, 9100, 9278
E2	RD-59/U, Belden 8281, 9141, 9231
E3	RG-59/U Quad Shield, Belden 1152A
F	RG-59/U Plenum, Belden 1560A, 9259, 82259, 89259, 88241
F1	RG-59/U Plenum 20 AWG center conductor, Belden 82108
G1	RG-6, 143, 212
G2	8X, LMR240, Belden 7808A, 9258
G3	LMR400, Belden 7810A, 8214, 9913
G4	RG-8, 8A, 9, 87A, 213, 214, 225, 393
G5	RD-6/U
H	RG-11
H1	Belden 1694A, 9248
H2	Belden 1859A, 7731, 8213, 9292
H3	RG-54A/U
I	AT&T 734A, Belden 1505A
I2	AT&T 735A, Belden 735A1
J	Quad 59 headend cable
K	LMR600
K2	Belden 1695A
K3	RG-122, 180, 195, Belden 1855, 1865A, 8218
L	.141 semi-rigid, RG-402/U
L2	.085, .086, .087 semi-rigid, RG-405/U
L3	.250 semi-rigid
L4	.047 semi-rigid, Belden 1674
M	1/2 inch annular corrugated
M1	1 1/4 inch annular corrugated
M2	1 5/8 inch annular corrugated
M3	7/8 inch annular corrugated
N	1/4 Helical
N1	3/8 Helical
N2	1/2 Helical
N3	7/8 inch SFC
P1	.81 mm OD micro-cable
P2	1.13 mm OD micro-cable, TCB-068
P3	1.32 mm OD micro-cable
P4	1.37 mm OD micro-cable

X-ON Electronics

Largest Supplier of Electrical and Electronic Components

Click to view similar products for [RF Connectors / Coaxial Connectors](#) category:

Click to view products by [Amphenol](#) manufacturer:

Other Similar products are found below :

[R125315120](#) [8915-1511-000](#) [89674-0827](#) [5916-1103-603](#) [0106-001-000](#) [6-0001-3](#) [6001-7071-019](#) [6002-7051-003](#) [6002-7551-202](#) [6059674-1](#) [619550-1](#) [630059-000](#) [M39012/25-0021](#) [M39012/79-3008](#) [M39030/3-01N](#) [M39030/3-03N](#) [M3933/25-36N](#) [6500-7071-046](#) [6501-1071-002](#) [M83723/72W2457N](#) [6769](#) [CX050L2AQ](#) [7002-1541-010](#) [7002-1572-002](#) [7003-1572-002](#) [7004-1512-000](#) [7009-1511-004](#) [7010-1511-000](#) [7029-1511-060](#) [7101-1541-010](#) [7101-1571-002](#) [7105-1521-002](#) [7145-1521-002](#) [7209-1511-011](#) [7210-1511-012](#) [7210-1511-015](#) [7210-1511-019](#) [7210-1511-040](#) [7225-1512-050](#) [7242-1511-000](#) [73137-5015](#) [73251-0111](#) [73251-0672](#) [73276-1501](#) [73366-0013](#) [73404-2300](#) [73413-6080](#) [734151610](#) [73415-5721](#) [7405-1521-005](#)