

5C Series Chassis Mounted - T05

170 064 / 065.

A range of finned heatsinks with hollow clamp screw to trap the transistor flange against dissipation seating.

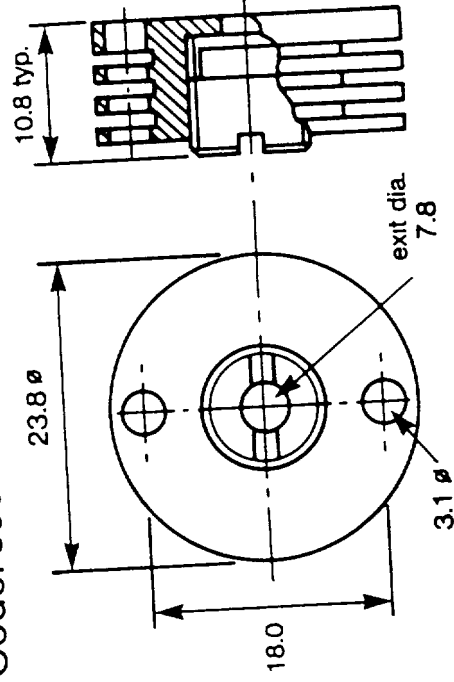
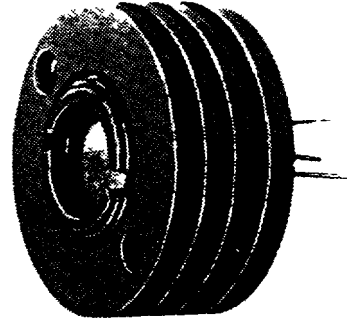
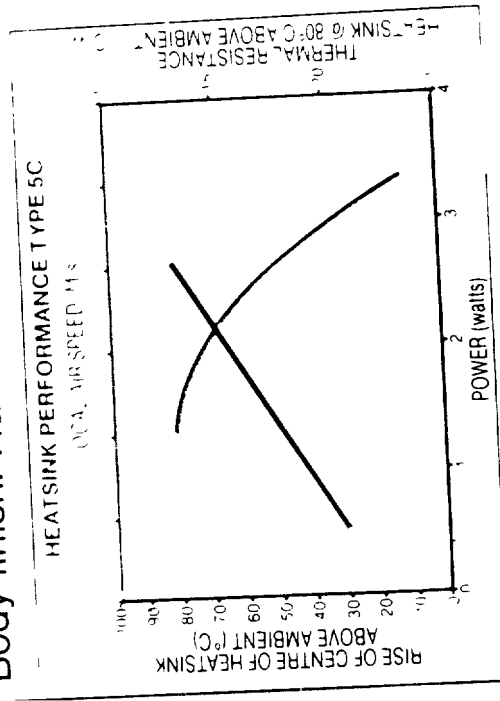
5C $\theta = 30^{\circ}\text{C/W}$

Body finish: Black anodised.

5C/HA $\theta = 32^{\circ}\text{C/W}$

Body finish: Hard anodised.

Type	Clamp	Screw	Remarks
5C	Plastic		Nato code: 5960.99.946.7619
5C - 20	Metal		P.O.1A (CD 1994) Nato code: 5960.99.104.4666 British Telecom Ref: 1MAA00237AAP
5C - 23	Metal		P.O. One flat on periphery
5C - 24	Plastic		4BA mounting. Nato code: 5961.99.520.1979
5C - 32	Metal		P.O. Two flats on periphery
5C - 33	Metal		For D01 device.
5C/HA	Plastic		Nato Code: 5960.99.115.6077



X-ON Electronics

Largest Supplier of Electrical and Electronic Components

Click to view similar products for [avid manufacturer](#):

Other Similar products are found below :

[097995X](#) [593101B03600G](#) [0S509-140-U](#) [6W-1](#) [097987X](#) [098047EB](#) [358890](#) [2207/PR11B-2ASSYG](#) [780153U04600G](#) [622852F00000G](#)
[THM6070B](#) [782452F00000G](#) [520329A00000G](#) [241404B91200G318382](#) [513002B02500](#) [025069A](#) [098067H](#) [7023B](#) [320105B00000G](#)
[623352F00000G](#) [607602F00000G](#) [098046G](#) [097990R](#) [057455](#) [358891](#) [654452F00000G](#) [780252F00000G](#) [BS595-50-B](#) [358894](#)
[683601F00000](#) [7138DG](#) [4953G](#) [647061](#) [SW38-4](#) [THM6025B](#) [603402F00000G](#) [783452F00000G](#) [780802F00000G](#) [014379X](#)
[416301U00000G](#) [1001](#) [101800F00000G](#) [568103B00000G](#) [1130BG](#) [416601U00000G](#) [783502F00000G](#) [780652F00000G](#) [780302F00000G](#)
[5901G](#) [420932X](#)