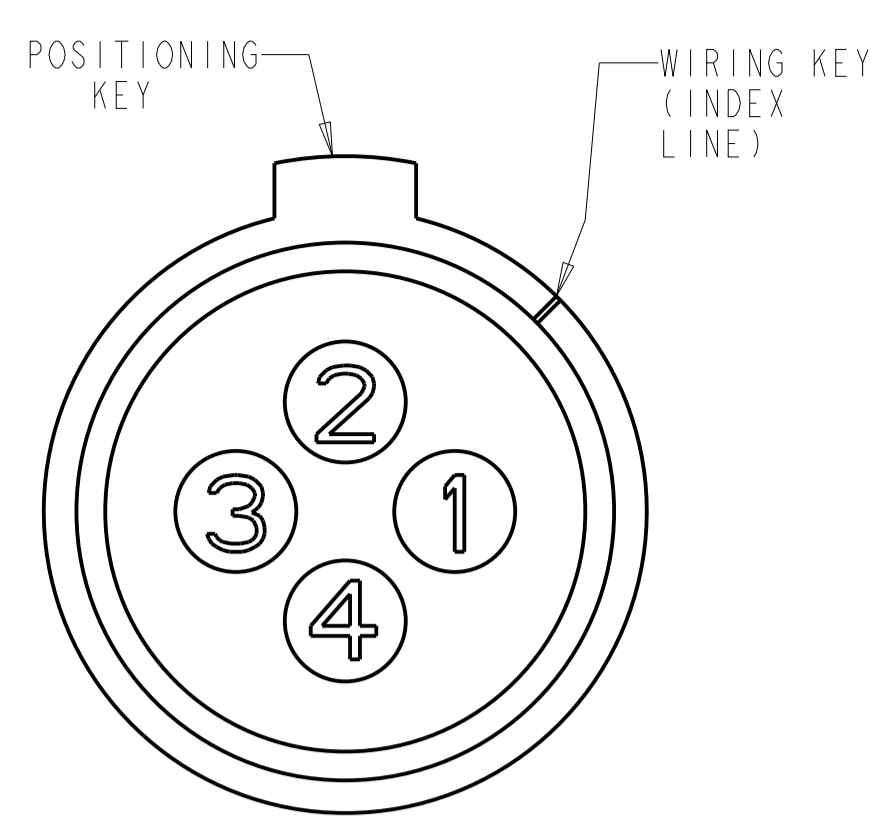
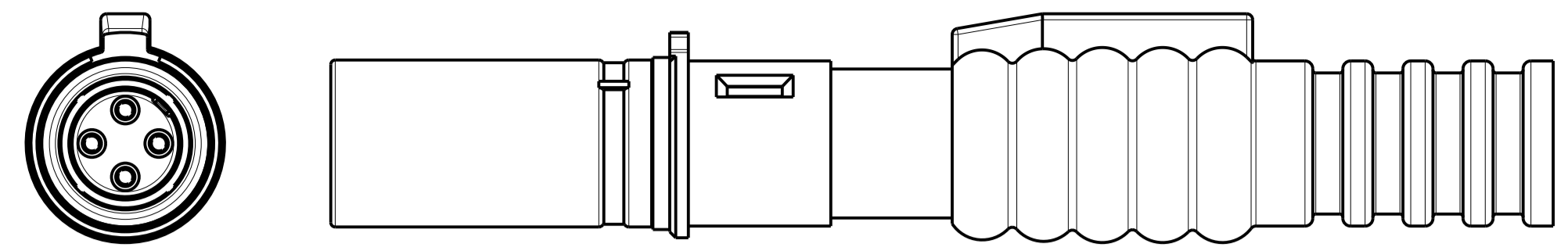


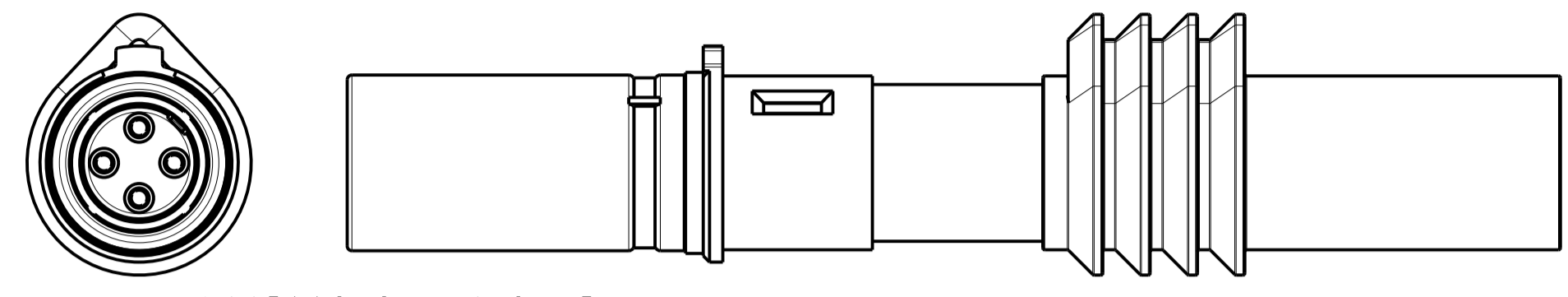
REVISIONS				
P.	LTR.	DESCRIPTION	DATE	APVD.
K		REV PER ECO 14-011279	10-7-14	CT DM



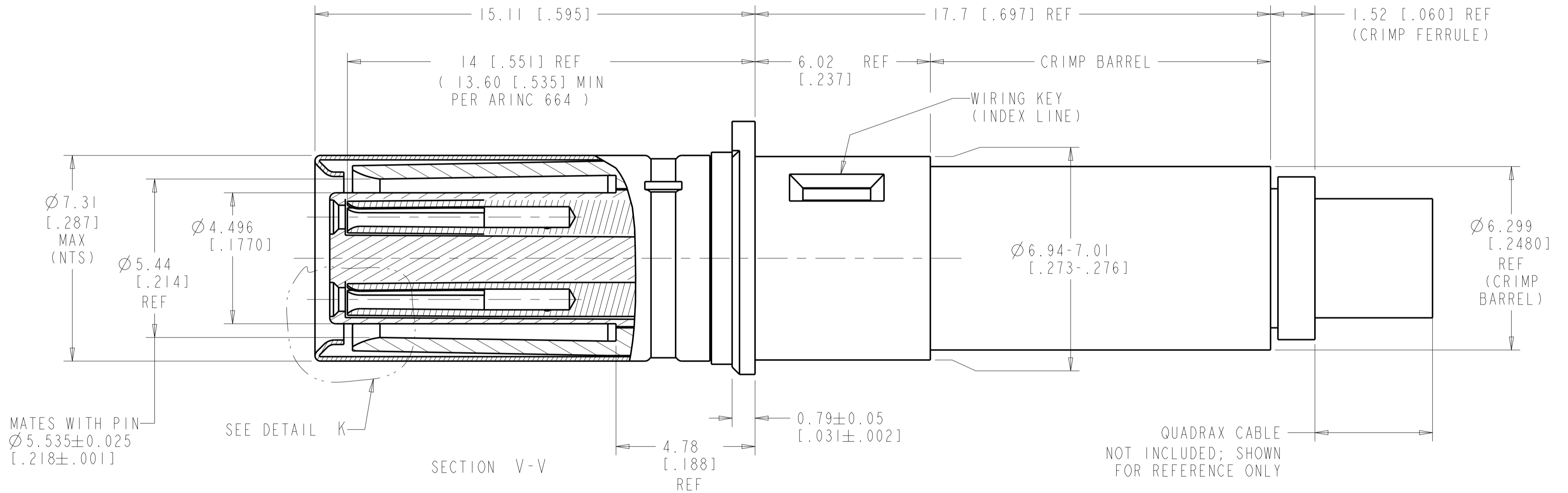
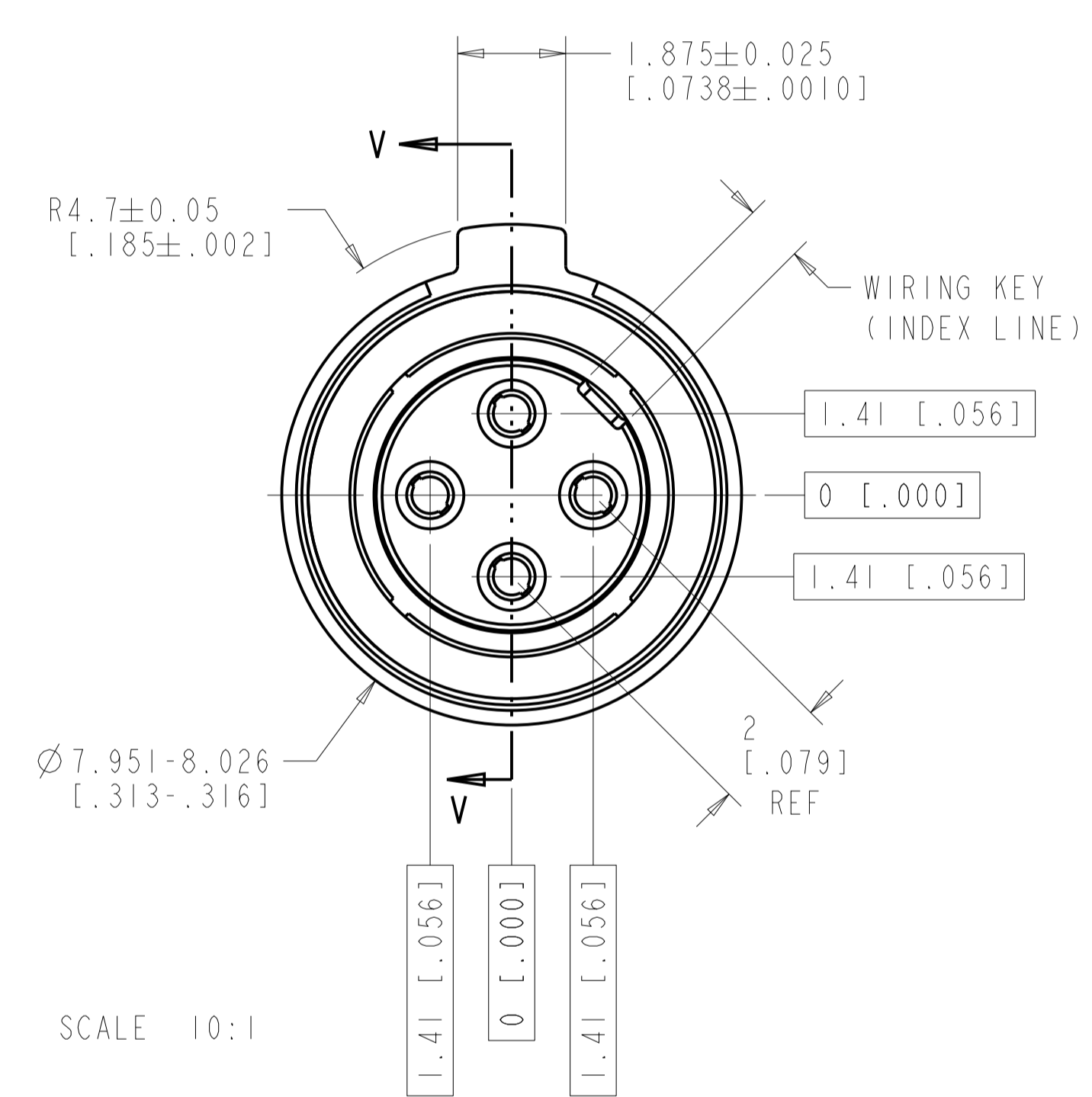
MATING FACE VIEW
CONTACT CAVITY NUMBERING
STANDARD CAVITY NUMBER ASSIGNMENT



1445693-2
SCALE 4:1



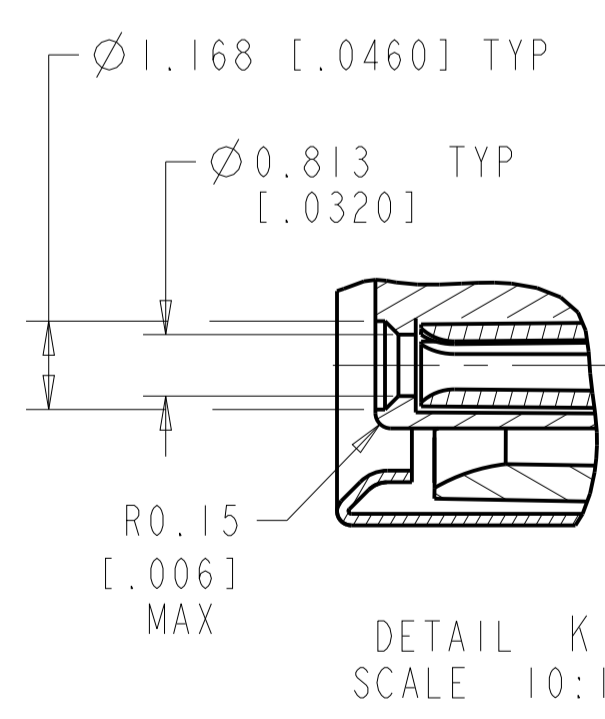
1445693-3, -4 & -5
SCALE 4:1



MATES WITH PIN
Ø5.535±0.025
[.218±.001]

SEE DETAIL K

QUADRAX CABLE
NOT INCLUDED; SHOWN
FOR REFERENCE ONLY



1. COMPONENTS ARE PACKAGED IN KIT FORM. CABLE MUST BE PURCHASED SEPARATELY.
2. ASSEMBLY PER APPLICATION SPECIFICATION 114-13123.
3. USE INSERTION-EXTRACTION TOOL 1738894-1.
4. TENSOLITE NF24Q100 OR EQUIVALENT
5. DRAKA F4704-4 OR EQUIVALENT
6. REDUCED SIZE OF TEC INSTRUCTION SHEET 408-32112 INCLUDED IN EACH KIT.

RECOMMENDED CABLE	CUSTOMER PART NUMBER	SEAL COLOR	DESCRIPTION	PART NO.
4	BACC47GB2	---	SAME AS -4 EXCEPT WITHOUT WIRE SEAL	1445693-9
5	---	-	AS SHOWN WITHOUT WIRE SEAL	1445693-6
5	---	BLUE	AS SHOWN WITH WIRE SEAL	1445693-5
4	BACC47GB1	BLUE	SAME AS -1 EXCEPT WITH WIRE SEAL	1445693-4
4	---	BLUE	SAME AS -1 EXCEPT WITH WIRE SEAL	1445693-3
4	---	RED	SAME AS -1 EXCEPT WITH WIRE SEAL	1445693-2
4 6	---	--	AS SHOWN; WITHOUT WIRE SEAL	1445693-1

THIS DRAWING IS A CONTROLLED DOCUMENT.

OWN: Brent D. 23 JUNE 2004
CHK: W.H. BERNHART 23 JUNE 2004
APVD: W.H. BERNHART 23 JUNE 2004

DIMENSIONS: mm [INCH]

TOLERANCES UNLESS OTHERWISE SPECIFIED:
0 PLC ±.01 [.001]
1 PLC ±0.2 [.008]
2 PLC ±0.13 [.005]
3 PLC ±0.051 [.002]
4 PLC ±.01 [.001]
ANGLES ±.01 [.001]

MATERIAL: - FINISH: - WEIGHT: -

PRODUCT SPEC: - APPLICATION SPEC: -

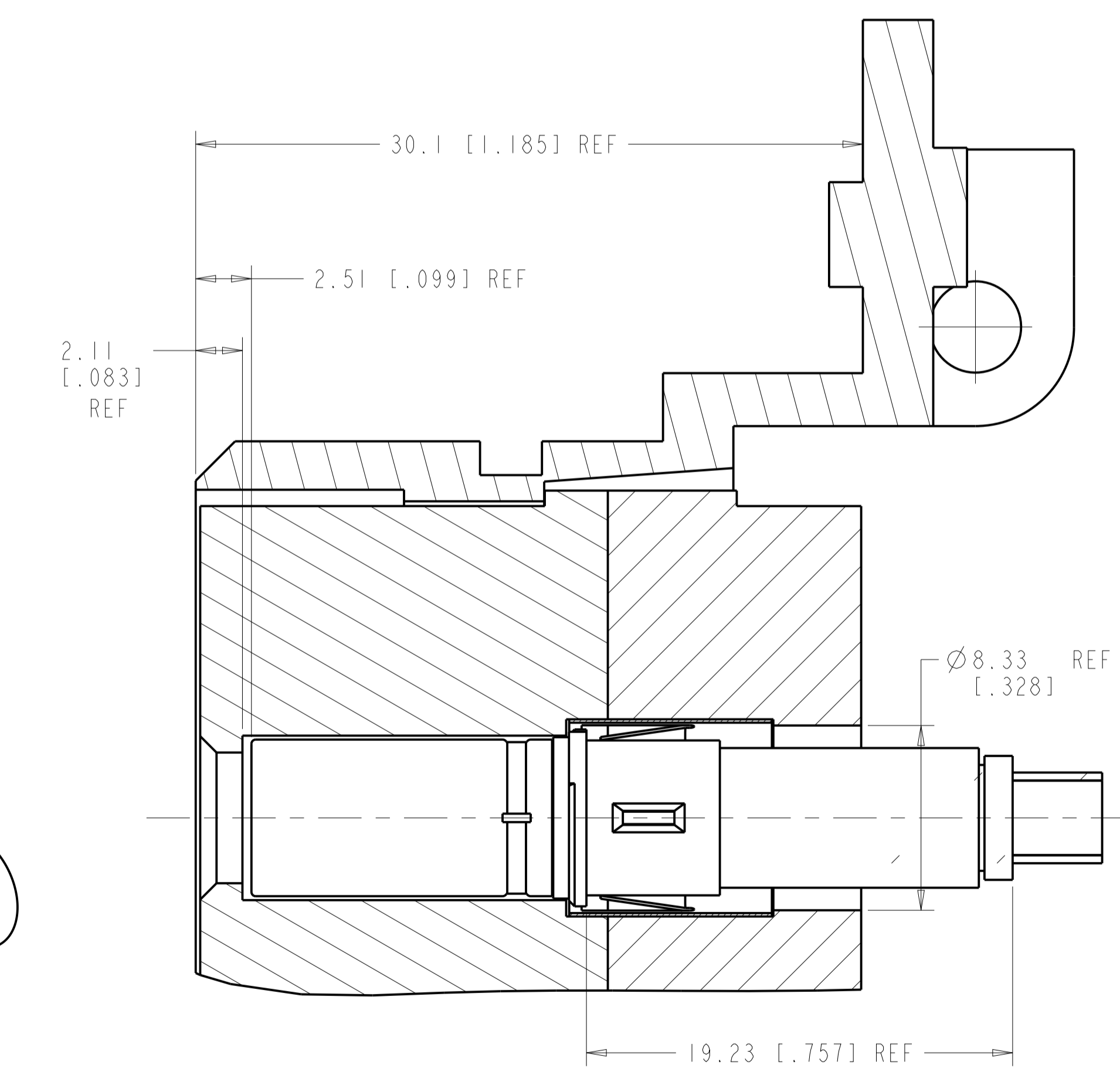
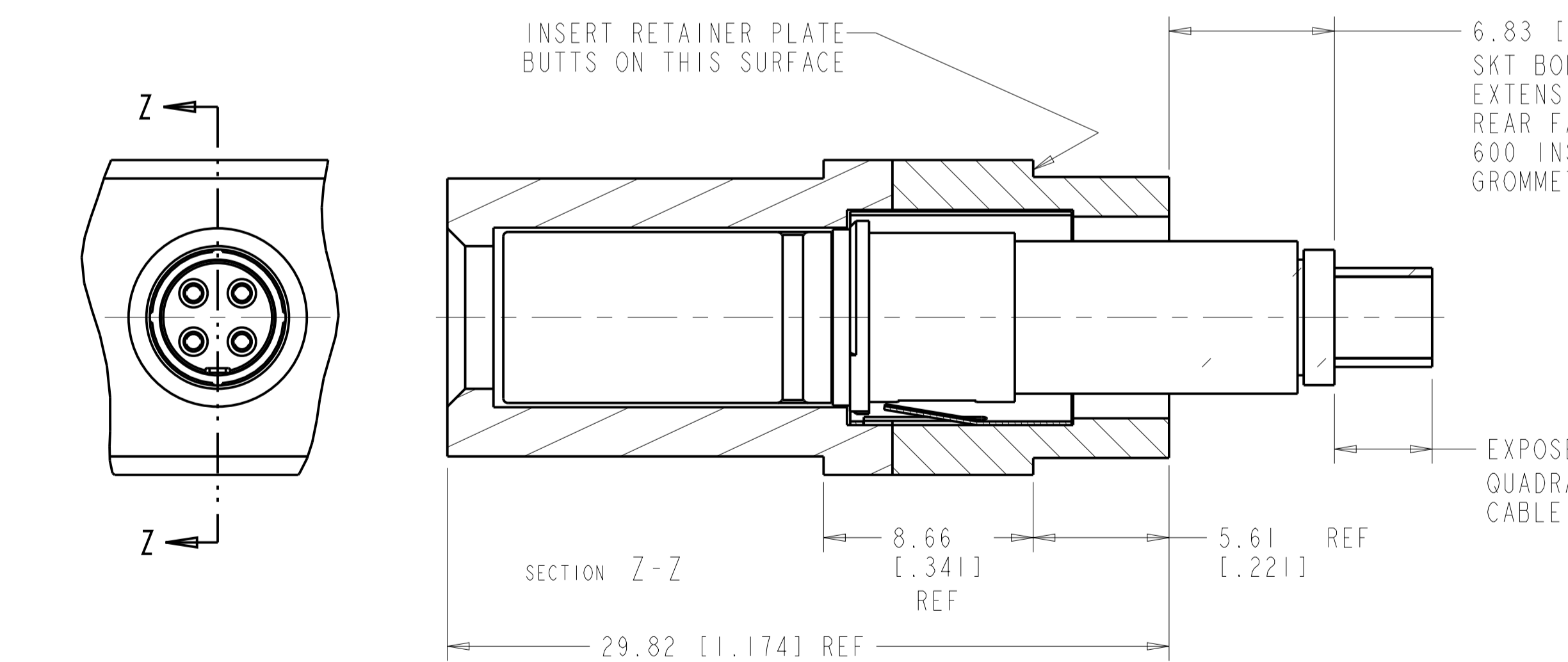
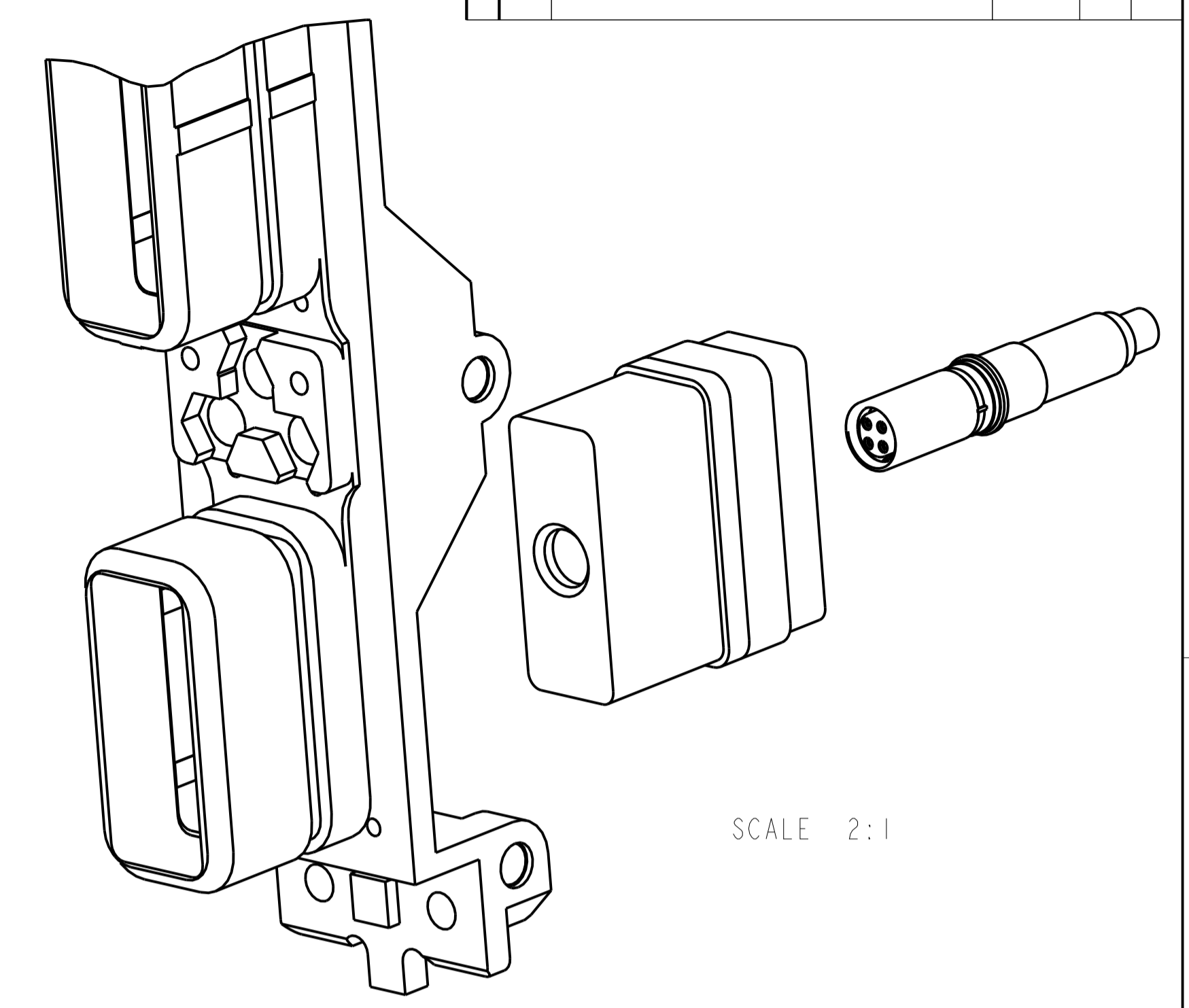
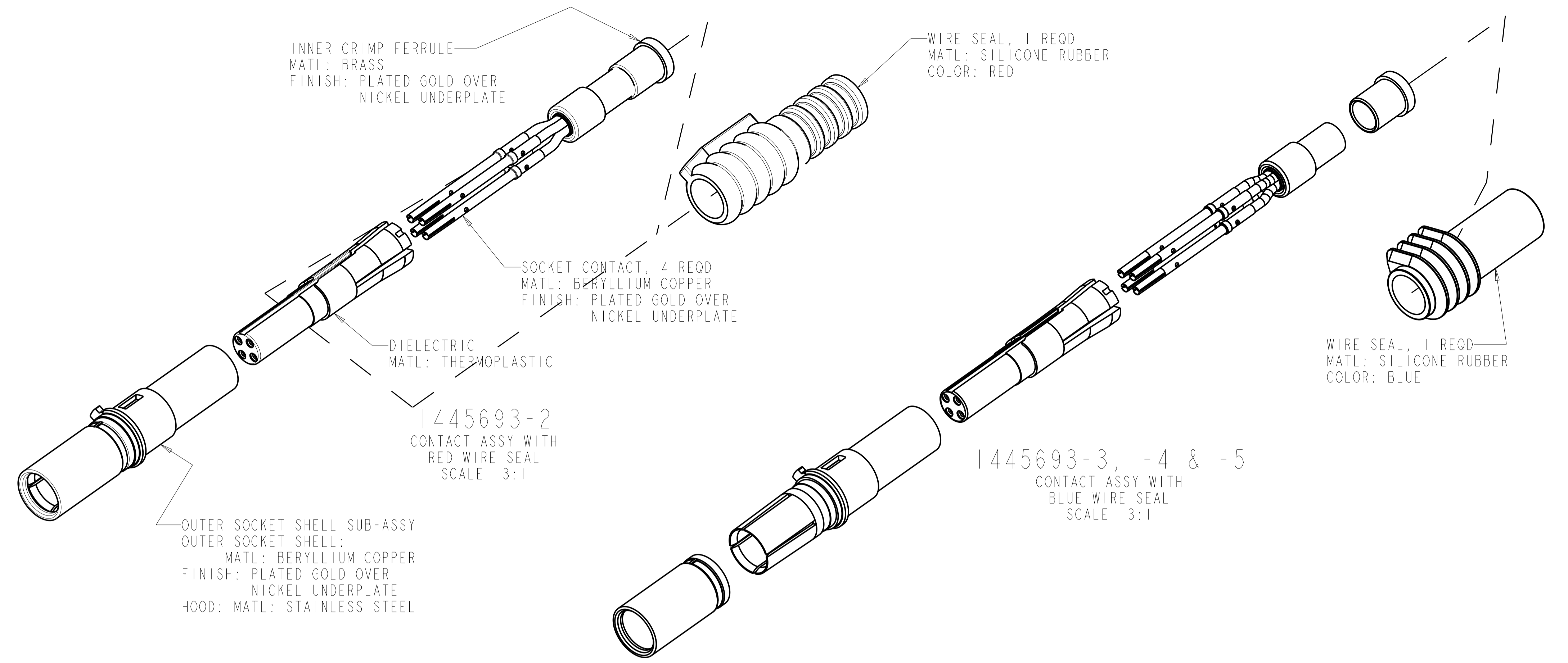
SIZE: A1 CAGE CODE: - DRAWING NO: C=1445693 RESTRICTED TO: -

CUSTOMER DRAWING SCALE: 10:1 SHEET: 1 OF 2 REV: K

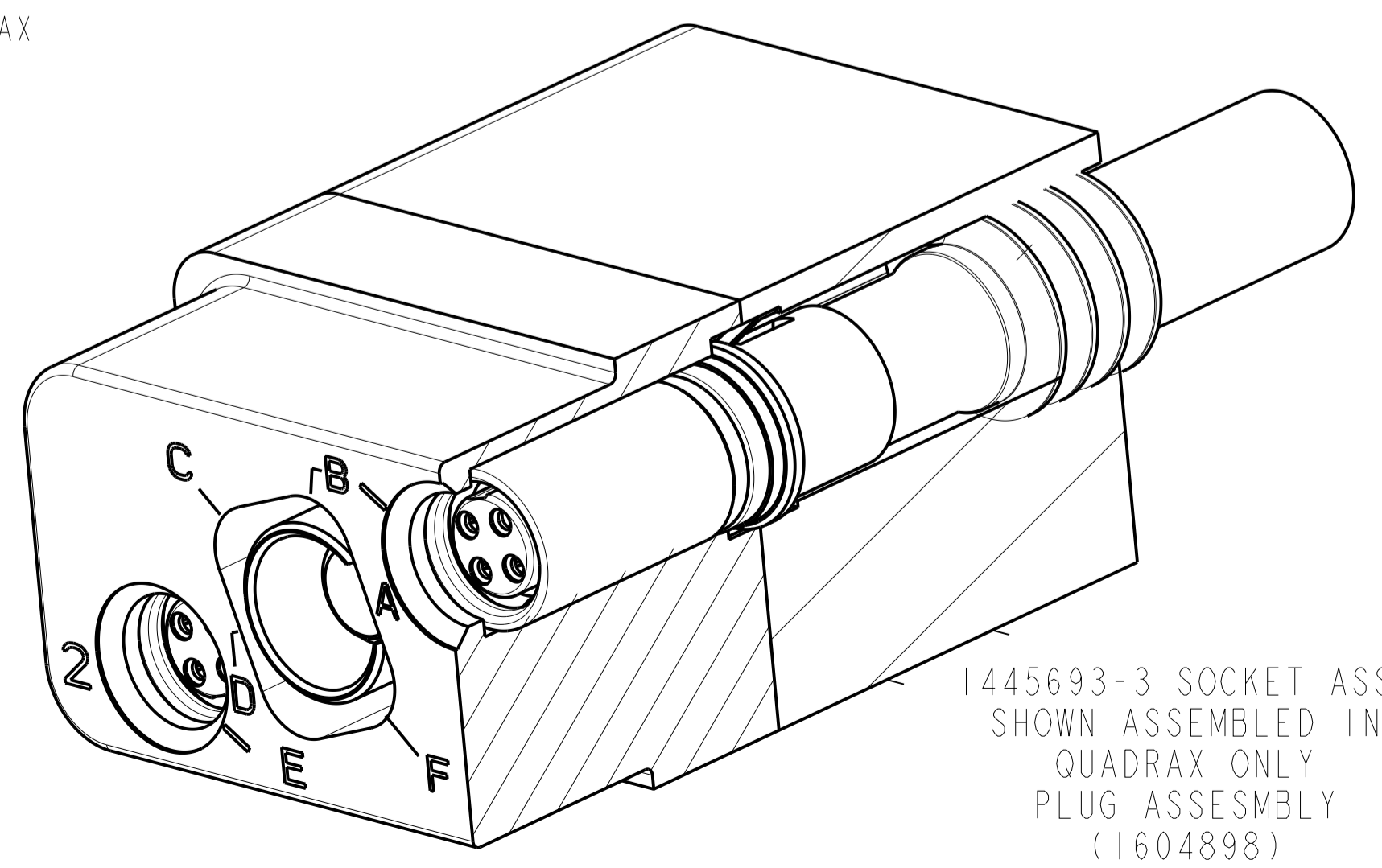
STE TE Connectivity

ASSEMBLY, SOCKET, QUADRAX, 2mm SQ, AIRCRAFT DATA NETWORK, RR/RR WITH SOCKET CONTACTS

REVISIONS				
P.	LTN	DESCRIPTION	DATE	APVD
--		SEE SHEET 1	-	-



QUADRAX SOCKET ASSY SHOWN INSTALLED IN STANDARD ARINC 600, SIZE 1 INSERT WITH REAR RELEASE, REAR REMOVABLE SIZE 8 QUADRAX CAVITY



THIS DRAWING IS A CONTROLLED DOCUMENT.		OWN Brent D. Lohm 23 JUNE 2004	TE Connectivity
DIMENSIONS: mm [INCH]		CHK W. H. BERNHART 23 JUNE 2004	
TOLERANCES UNLESS OTHERWISE SPECIFIED:		APVD W. H. BERNHART 23 JUNE 2004	NAME ASSEMBLY, SOCKET, QUADRAX, 2mm SQ, AIRCRAFT DATA NETWORK, RR/RR WITH SOCKET CONTACTS
0 PLC	±	PRODUCT SPEC	RESTRICTED TO
1 PLC	±0.2 [1.008]	APPLICATION SPEC	
2 PLC	±0.13 [1.005]		
3 PLC	±0.081 [1.002]		
4 PLC	±		
ANGLES	±		
MATERIAL		WEIGHT	SIZE A1
FINISH			CAGE CODE C=1445693
		CUSTOMER DRAWING	SCALE 3:1
			SHEET 2 OF 2
			REV K

X-ON Electronics

Largest Supplier of Electrical and Electronic Components

Click to view similar products for [Rack & Panel Connectors](#) category:

Click to view products by [TE Connectivity](#) manufacturer:

Other Similar products are found below :

[00170420102](#) [00171420202](#) [00171440002](#) [008026165000265](#) [00-8219-072-000-112P44](#) [008219072000112P5](#) [02-014-013-5200-000](#) [613467-000](#) [CTJ112E01E-513](#) [CTJ116E03A-513](#) [M81714/63-22S L/C](#) [M81714/65-12-1](#) [66020-2](#) [CW8958-000](#) [699886-000](#) [D250-50632](#)
[70.400.3240.0](#) [70.955.2453.3](#) [733753-000](#) [F22831-000](#) [780-522-DPX34RG8-02](#) [MMA25-0341D1](#) [8660-501](#) [87.060.0053.0](#) [900709N001](#)
[QRP4-12P-C\(01\)](#) [QR/P6-6S-C\(01\)](#) [AC-600003-004](#) [1218600-1](#) [D-659-0061](#) [DMC-MD 24 C-T](#) [1-445717-6](#) [1484398-2](#) [1484399-2](#) [1484469-2](#) [MR-34MG](#) [1484225-1](#) [1484398-1](#) [1604997-2](#) [1663130-1](#) [1663767-7](#) [1663767-8](#) [MTC100-BF1-P31CS015](#) [MTC100-KT2-0083](#) [MTC100-KT2-0123-003](#) [MTC100-YA1-005](#) [MTCB1X-105-XXX](#) [MTCPQKT1P2PGDC](#) [MTCPQKT1R2PGCA](#) [MTCR-103-04S](#)