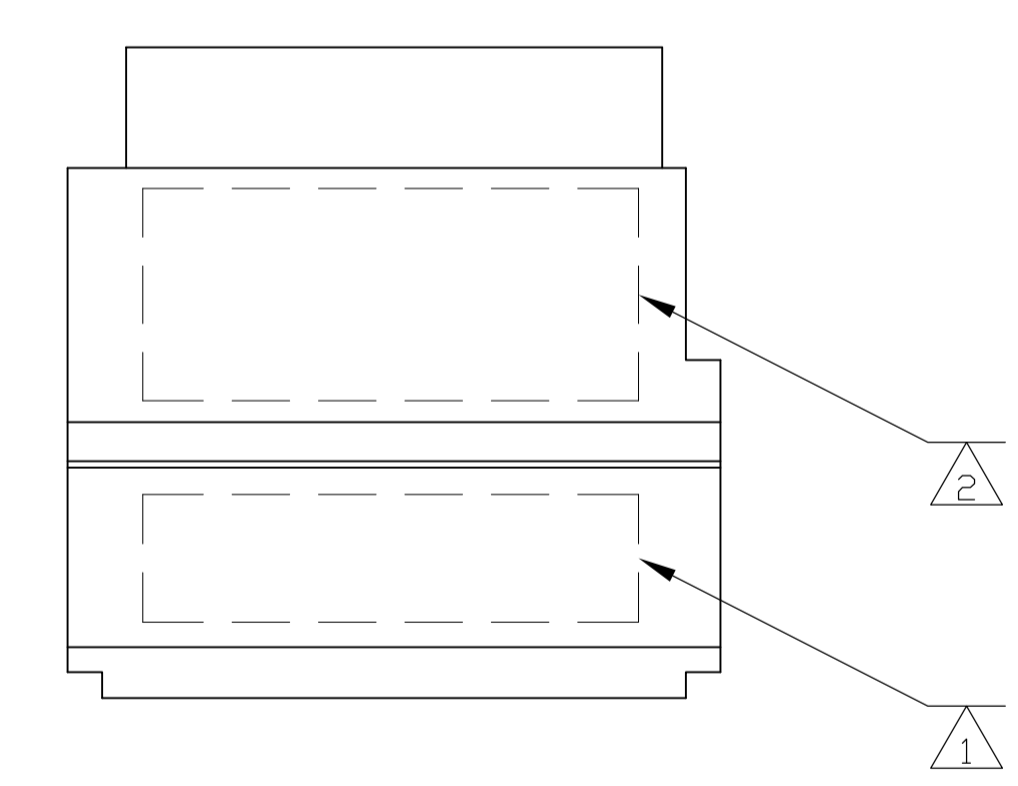
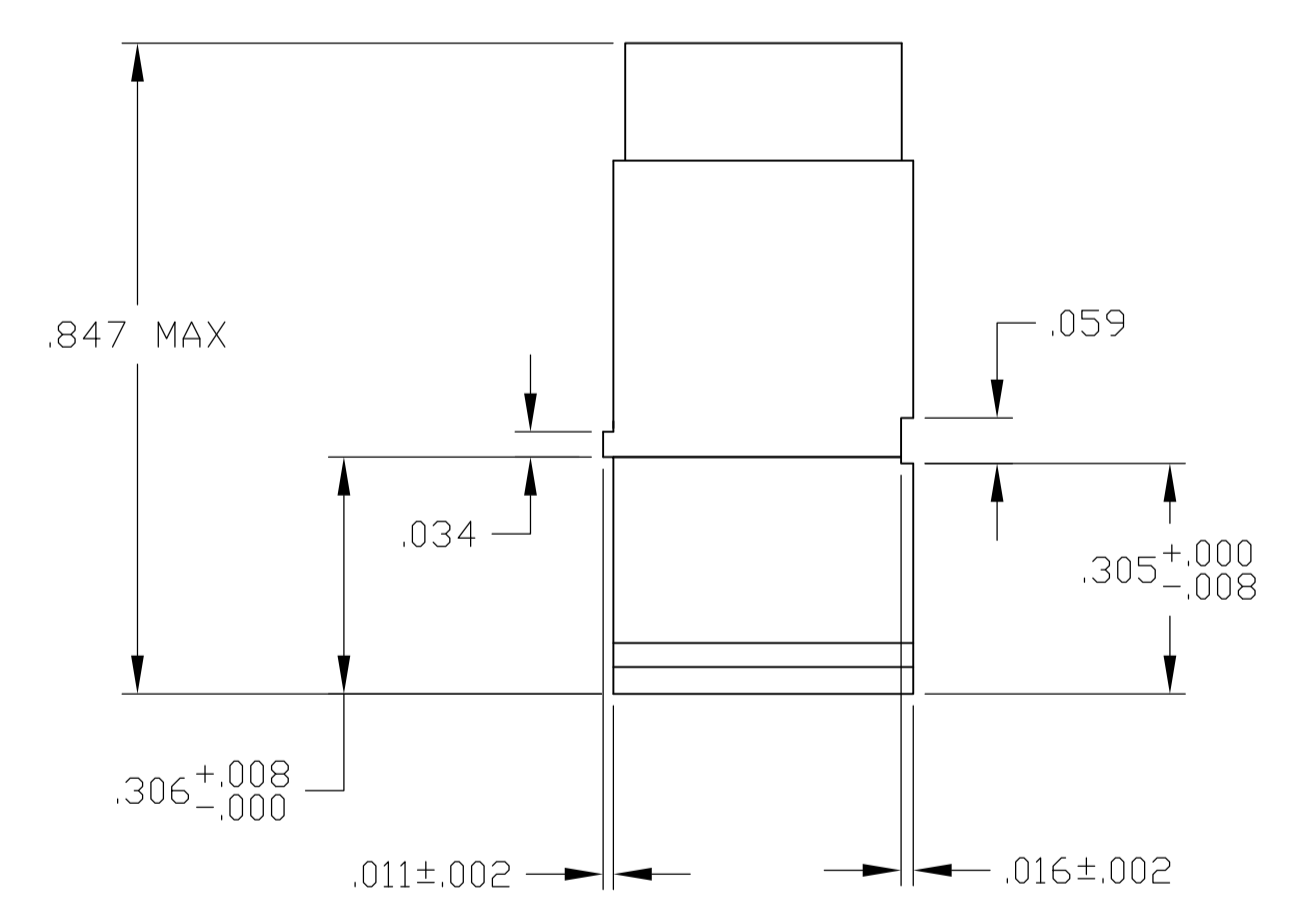
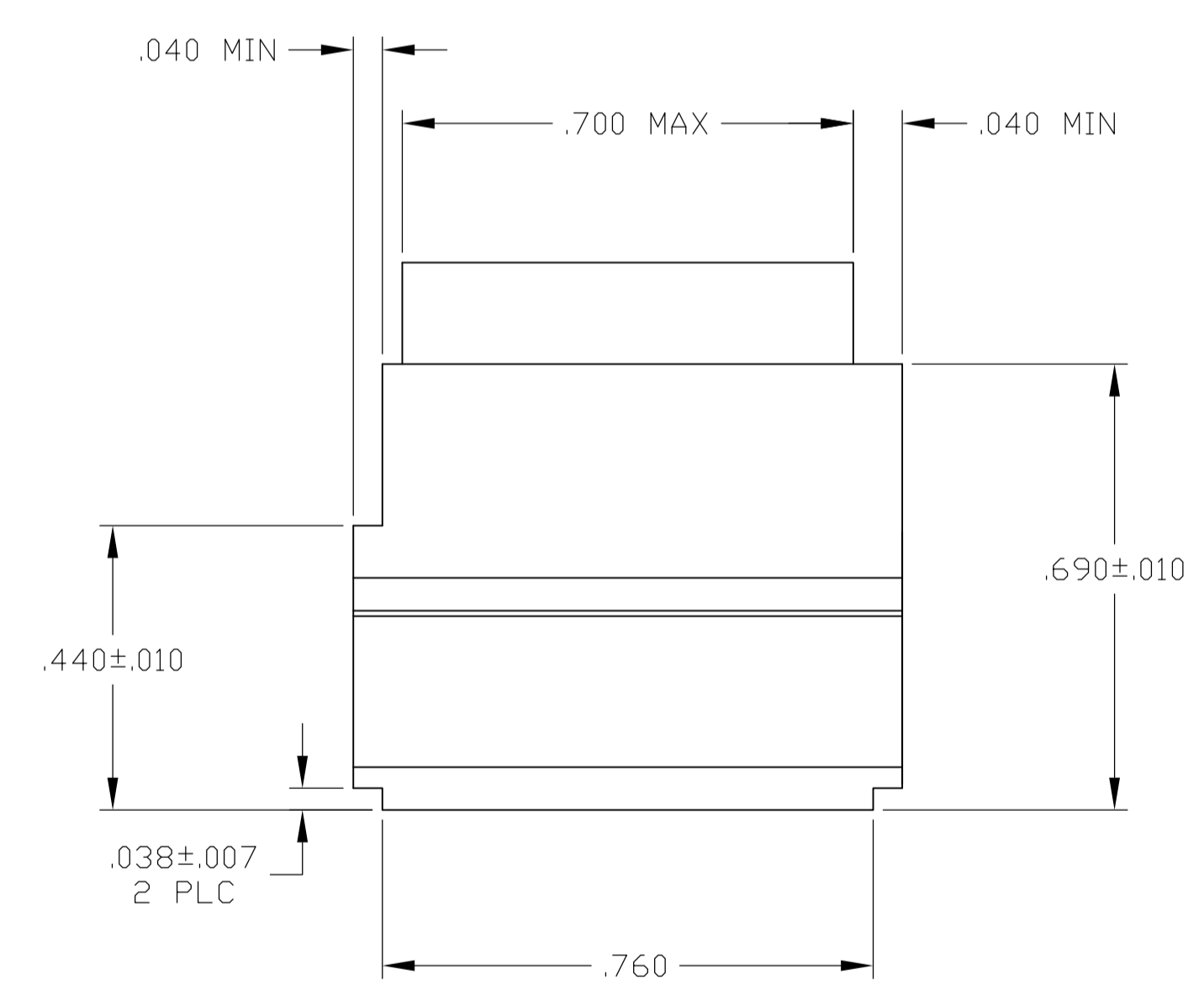
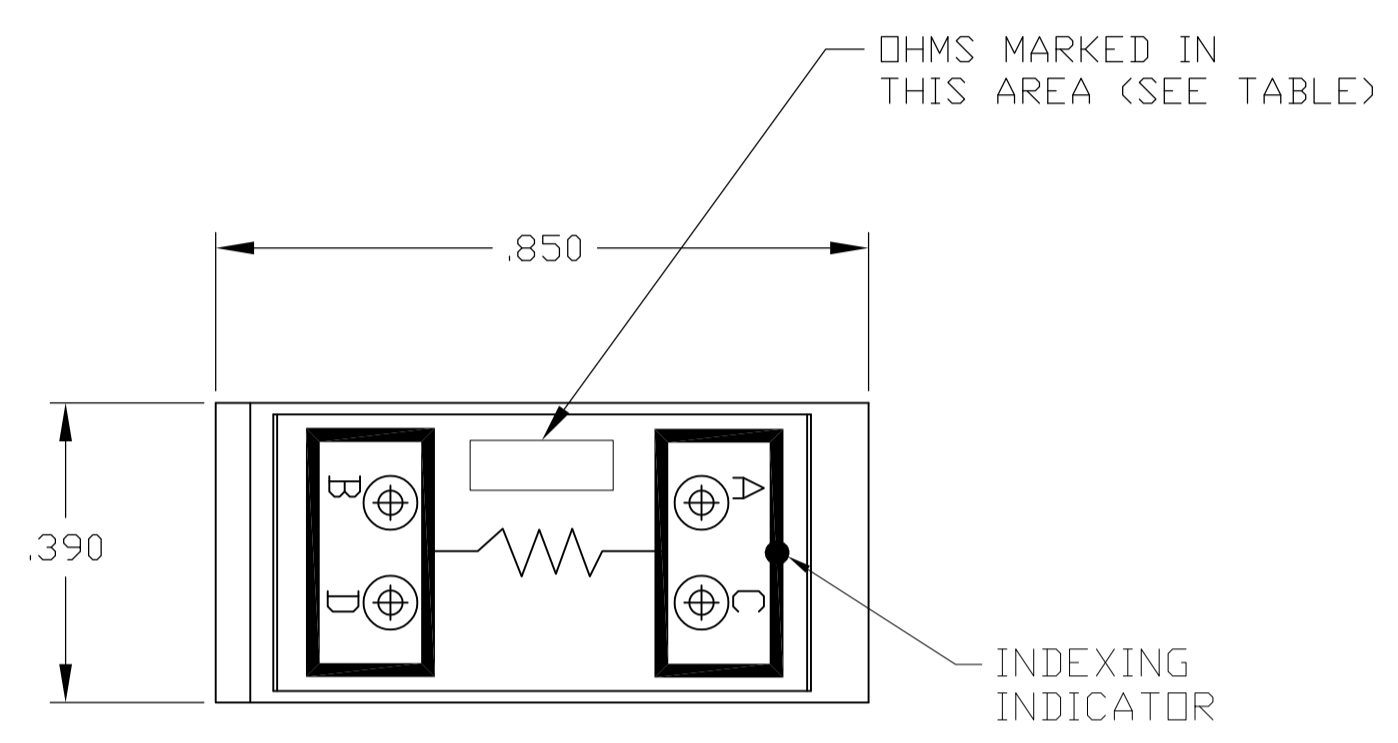


COMPONENT	MATERIAL	FINISH
MODULE ASSY	D. A. P. PER MIL-M14, TYPE SDG-F	COLOR: GREEN
GROMMET	FLUORSILICONE	COLOR: GREEN
SOCKET CONTACT	BERYLLIUM COPPER PER ASTM-B-194	GOLD PLATED PER ASTM-B-488
RETAINING CLIP	BeCu ASTM-B-194 OR STAINLESS STEEL PER QQ-S-766	
PIN CONTACT QTY = 4 P/N M39029/1-101	COPPER ALLOY PER MIL-C-39029/1	GOLD PLATED PER ASTM-B-488
SEALING PLUG QTY = 2	F. E. P. PER MIL-P-19468	COLOR: RED

LOC	DIST	REVISIONS				
DF	AO	REV	DESCRIPTION	DATE	BY	APPD
		C	REV PER ECO-12-000064	23JAN12	PY	DE

1. MODULE ASSEMBLY MARKED WITH AMP, AMP PART NO. AND DATE CODE IN THIS AREA.
2. MODULE ASSEMBLY MARKED WITH CUSTOMER PART NO. FOR -2 ONLY. (SEE TABLE)
3. CONTACTS AND SEALING PLUGS ARE PACKAGED SEPARATELY AND SHIPPED WITH CONNECTOR.



-	-	3240	RLR20C3241FS	591813-4
M81714/18-D-009	-	2200	RLR20C2201GS	591813-3
-	204-10326-2	221	RWR89N2210FR	591813-2
REF	CUSTOMER MARKING	OHMS	RESISTOR	PART NO.

THIS DRAWING IS A CONTROLLED DOCUMENT.

DWN: C. C. THOMAS 6-23-03  
CHK: D. EBY 6-24-03  
APPD: D. EBY 6-24-03

NAME: REMOVABLE MODULE BLOCK W/ RESISTOR, SIZE 20, TJ

PRODUCT SPEC: -  
APPLICATION SPEC: -

SIZE: A1 CAGE CODE: 00779 DRAWING NO: 591813 RESTRICTED TO: -  
WEIGHT: -  
CUSTOMER DRAWING

SCALE: 4: 1 SHEET 1 OF 1 REV C

## X-ON Electronics

Largest Supplier of Electrical and Electronic Components

*Click to view similar products for [Terminal Block Tools & Accessories](#) category:*

*Click to view products by [TE Connectivity](#) manufacturer:*

Other Similar products are found below :

[1029563](#) [00171430102](#) [00171420102](#) [014415](#) [CSTSPC1-2](#) [9-1437653-4](#) [928358-1](#) [QC209/J](#) [HCL10-6](#) [1437403-6](#) [1437403-9](#) [1437403-8](#)  
[147832-1](#) [EC0037-000](#) [MT2/H--](#) [MT2/H-32](#) [MT6/H-N](#) [MT6/V-GRND](#) [MT8/H-101-110](#) [BB2-09BF](#) [EP2.5/4UN/BG](#) [1707755](#) [1735590](#)  
[1755480](#) [1760336](#) [BO3-02](#) [1789281](#) [1840227](#) [1840230](#) [1893164](#) [2-1437402-1](#) [2-1437644-9](#) [JB2-09/J](#) [2202307](#) [2302463](#) [2305949](#) [2310581](#)  
[8TK2-24](#) [91.201.1](#) [L2U2](#) [2778.0](#) [2890137](#) [2901107](#) [2901123](#) [2901699](#) [2MP/J](#) [2MV-06](#) [1705126](#) [1756294](#) [F03-25](#)