

**MICRO SWITCH**

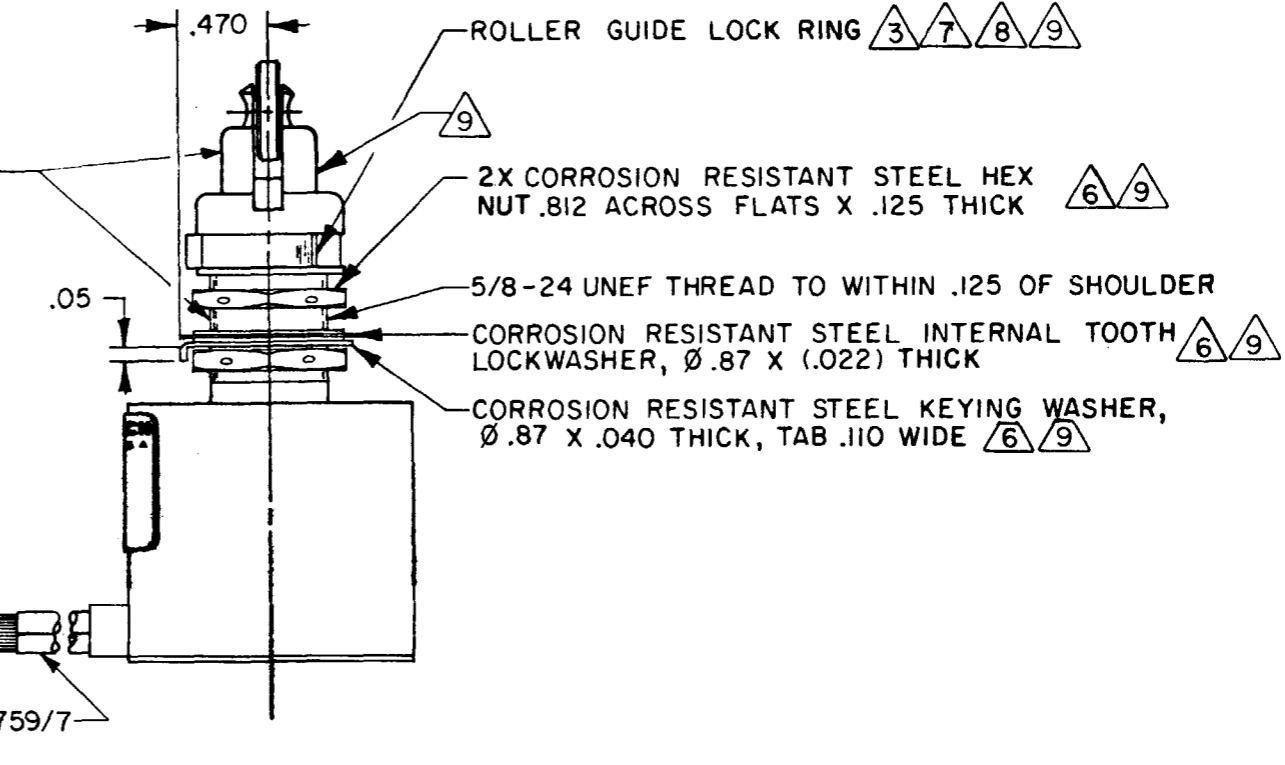
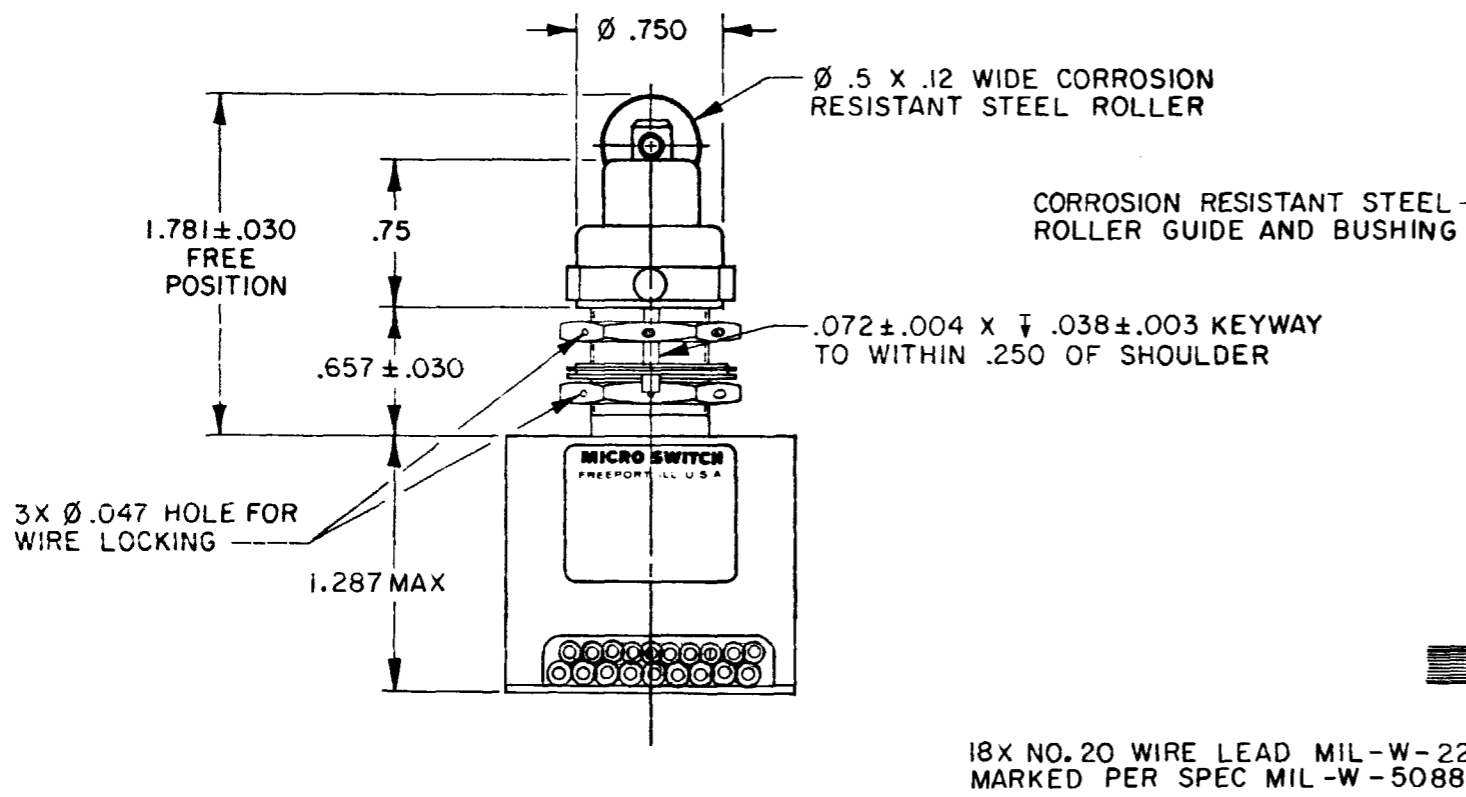
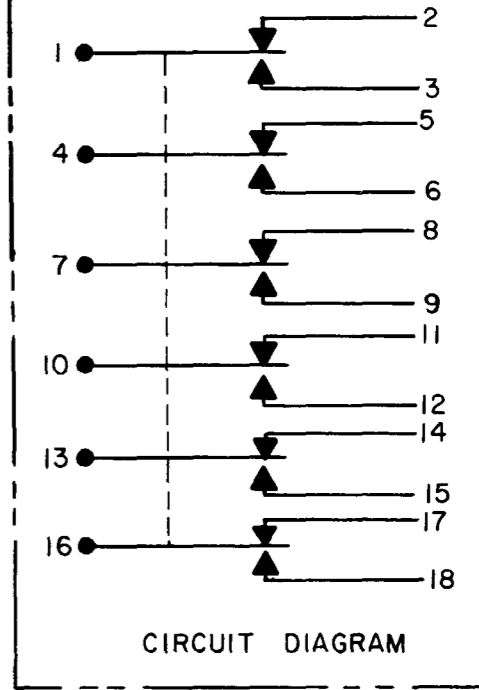
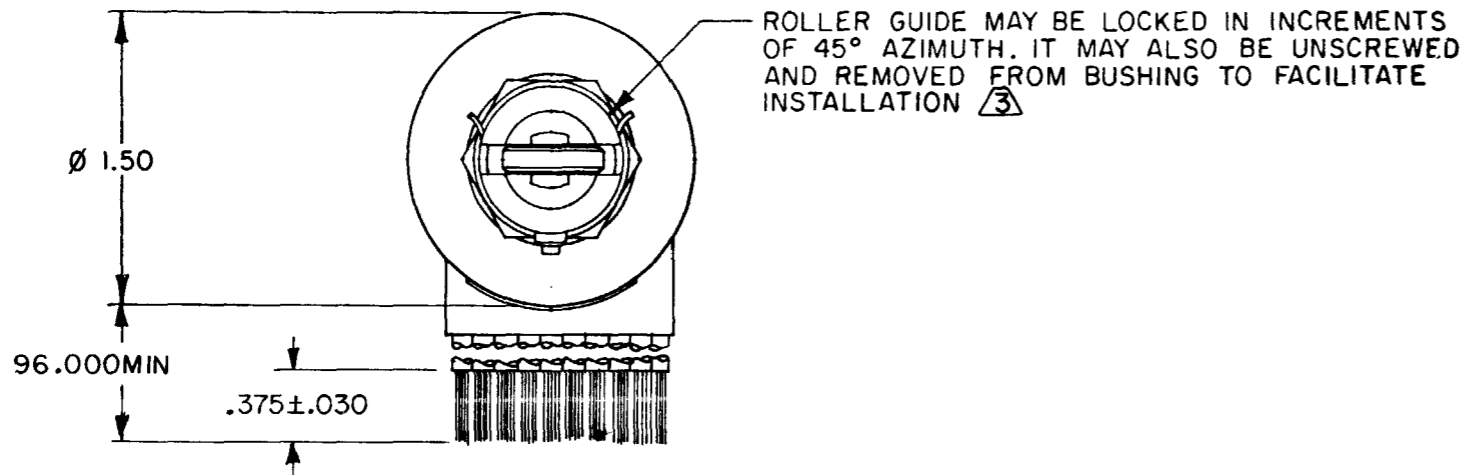
FREEMONT, ILLINOIS U.S.A.  
A DIVISION OF HONEYWELL

FED. MFG. CODE 91929

**SWITCH - ENCLOSED**

CATALOG LISTING  
**426EN9-8**

**426EN9-8**  
 PAGE 1 OF 1  
**M**  
 DRAWING NUMBER  
**8**  
 ISSUE  
 REVISIONS  
 A PR 7377  
 S L B  
 9 MAY 79  
 B CO  
 4 4 351  
 S L B  
 18 FEB 80  
 C CO 47573  
 PART 4  
 R J H  
 15 AUG 80  
 D CO 51725 C  
 K A G  
 J A N 83  
 E CO 5737 O  
 J A P  
 14 MAY 85  
 F CO 93305  
 D L T  
 17 OCT 98  
 CHECK  
 16 MAY 79  
 CHECK  
 9 MAY 79  
 DRAWN  
 S L B  
 FORMTEK  
 FO-52851-A  
 RELEASE NO. PR-7377-T REPLACES



18X NO. 20 WIRE LEAD MIL-W-22759/7 MARKED PER SPEC MIL-W-5088

- NOTES
- 1 - CORROSION RESISTANT STEEL ENCLOSURE
  - 2 - SWITCH SEALED PER MIL-S-8805 SYMBOL 4
  - 3 - TO ADJUST ROLLER DIRECTION, REMOVE ROLLER GUIDE LOCK RING, SCREW ROLLER GUIDE DOWN AS FAR AS POSSIBLE, THEN UNSCREW TO DESIRED DIRECTION. SECURE BY REPLACING GUIDE LOCK RING
  - 4 - COINCIDENCE OF OPERATING AND RELEASING POINTS:  $.010$  OF PLUNGER TRAVEL
  - 5 - CIRCUIT DIAGRAM, CATALOG LISTING, DATE CODE AND FED. MFG. CODE ARE SHOWN ON NAMEPLATE
- REPLACEMENT MOUNTING HARDWARE: PACKET 19PA8  
 REPLACEMENT ROLLER GUIDE AND LOCKRING PACKET 15PA104  
 REPLACEMENT LOCKRING: PACKET 15PA137  
 HARDWARE MAY BE PACKAGED UNASSEMBLED PER MIL-S-8805

ANSI Y14.5M-1982 APPLIES

THIS DRAWING COVERS A PROPRIETARY ITEM AND IS THE PROPERTY OF MICRO SWITCH, A DIVISION OF HONEYWELL. THIS DRAWING IS NOT TO BE COPIED OR USED WITHOUT THE APPROVAL OF MICRO SWITCH.		THIRD ANGLE PROJECTION	SCALE FULL
CHARACTERISTICS		ELECTRICAL DATA	DO NOT SCALE PRINT
OPERATING FORCE	6 - 12 LB	CONTACT ARRANGEMENT	TOLERANCES
FULL OVERTRAVEL FORCE	30 LB MAX	6X S P D T	APPLY TO DESIGN UNITS. CONVERSIONS ARE ONLY FOR REFERENCE. UNLESS NOTED, TOLERANCES ARE 2
RELEASE FORCE	4 LB MIN	LOAD	DIM. TOL. DIM. TOL.
PRETRAVEL	.040 MAX	28 VDC	NO PLACES X 1/04
DIFFERENTIAL TRAVEL	.030 MAX	SEA LEVEL	ONE PLACE X,X 0.47/016 X X 0.87/03
OVERTRAVEL	.250 MIN	50,000 FT.	TWO PLACES X,XX 0.15/006 X XX 0.267/016
		MOTOR	THREE PLACES X XXX 0.15/006
			ANGLES
			DESIGN UNITS
			SI METRIC
			US CUSTOMARY
			RAW MATERIAL-COMMERCIAL STANDARD
			MICRO SWITCH STANDARDS APPLY
			DIMENSIONS ARE TO BE MET BEFORE PROTECTIVE COATINGS ARE APPLIED
			WEIGHT 32 OZ MAX

## X-ON Electronics

Largest Supplier of Electrical and Electronic Components

*Click to view similar products for [Basic / Snap Action Switches](#) category:*

*Click to view products by [Honeywell](#) manufacturer:*

Other Similar products are found below :

[83228001](#) [01.098.1358.1](#) [602EN1-6B](#) [602EN532](#) [602EN535-RB](#) [602HE5-RB1](#) [604HE162](#) [604HE223-6B](#) [624HE17-RB](#) [6HM89](#) [6PA78-JM](#)  
[6SE1](#) [6SX1-H58](#) [70500840](#) [MBD5B1](#) [MBH2731](#) [73-316-0012](#) [79211759](#) [79211923](#) [79218589](#) [7AS12](#) [ML-1155](#) [ML-1376](#) [831010C3.0](#)  
[831060C3.TL](#) [831090C2.EL](#) [83131904](#) [84212012](#) [8AS239](#) [8HM73-3](#) [903VB1-PG](#) [914CE1-6G](#) [PL-100](#) [11SM1077-H4](#) [11SM1077-H58](#)  
[11SM1-TN107](#) [11SM405](#) [11SM703-T](#) [11SM8423-H2](#) [11SX37-T](#) [11SX48-H58](#) [11SX55-H58](#) [11SM2442-T](#) [11SM76-T](#) [11SM77-H58](#)  
[11SM77-T](#) [11SM863-T](#) [11SM866](#) [11SX47-H58](#) [A7CN-1M-1-LEFT](#)