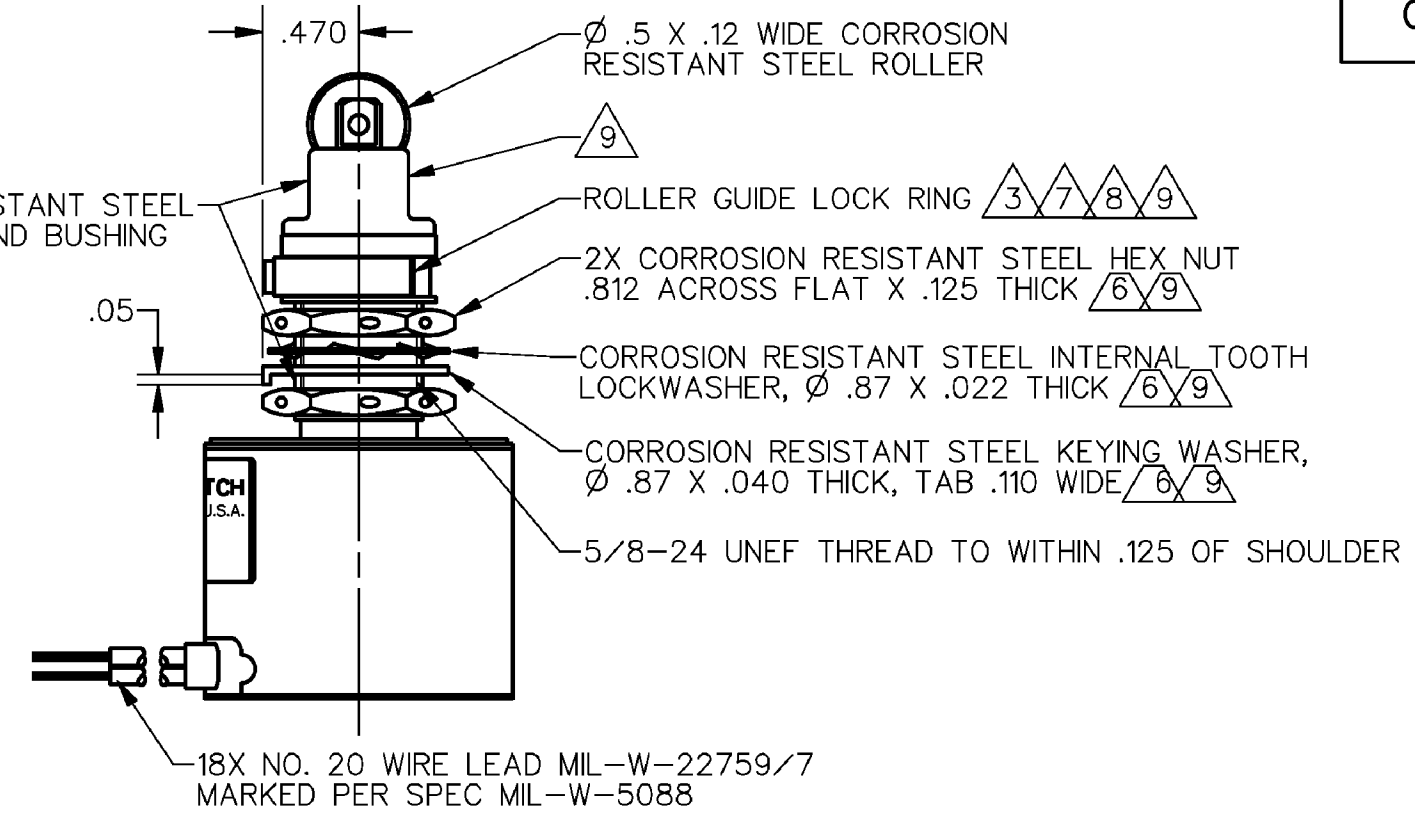
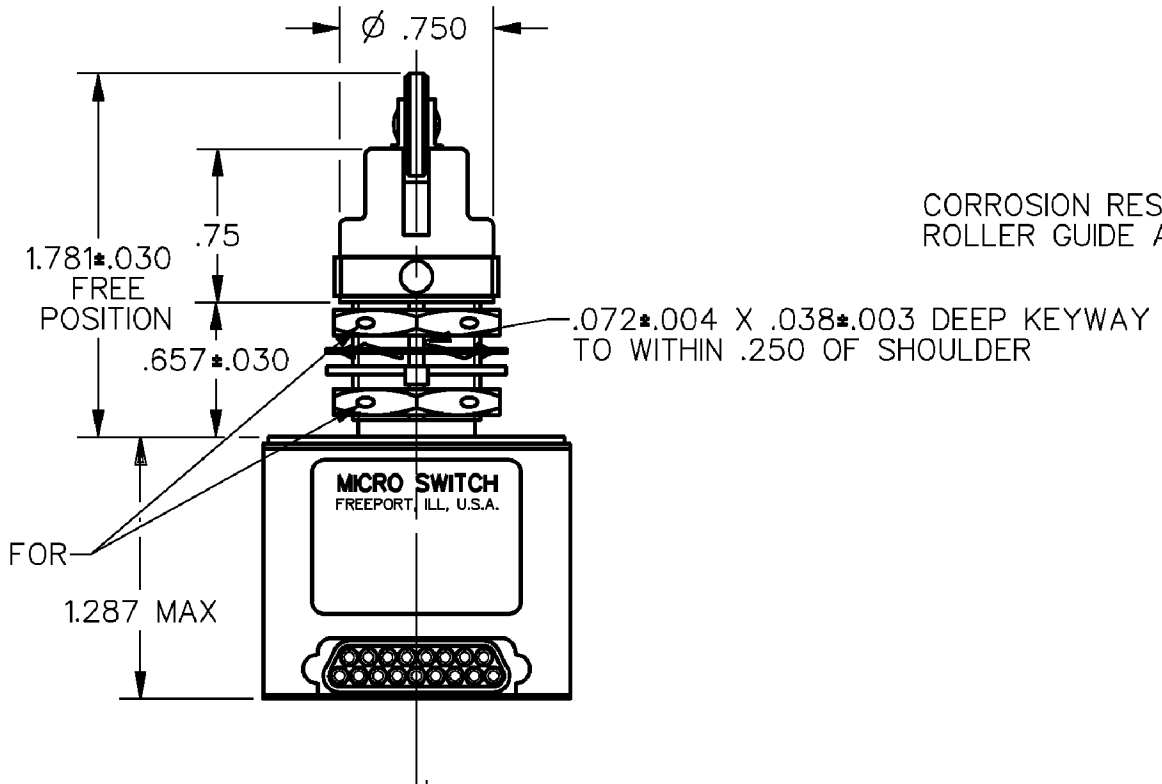
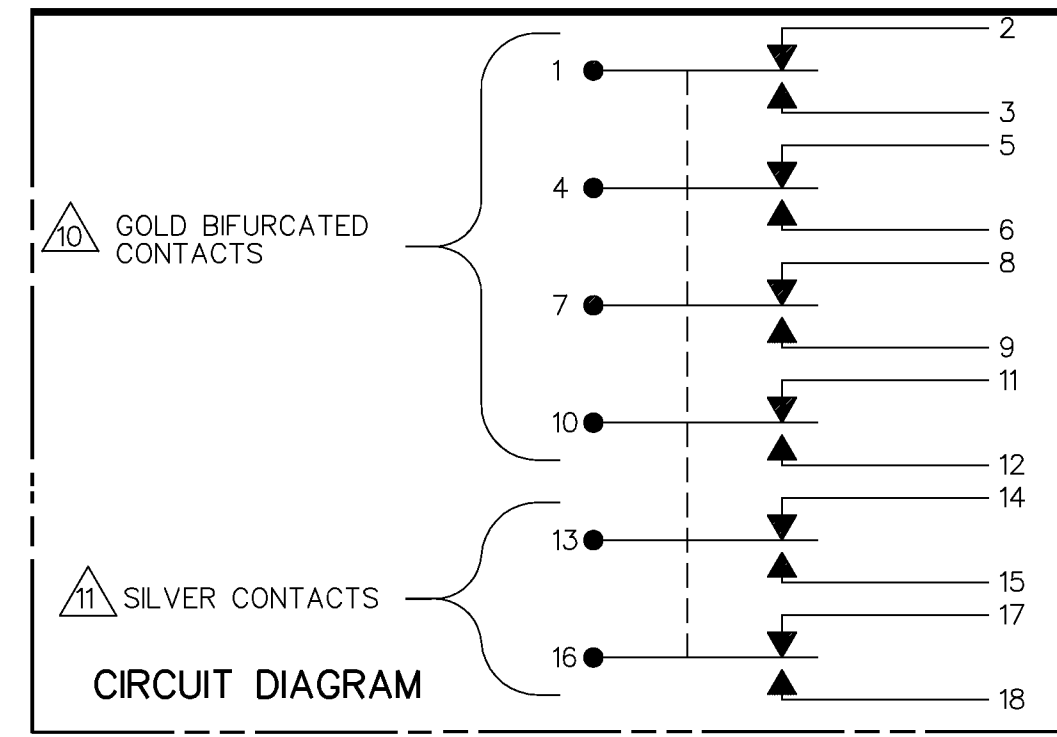
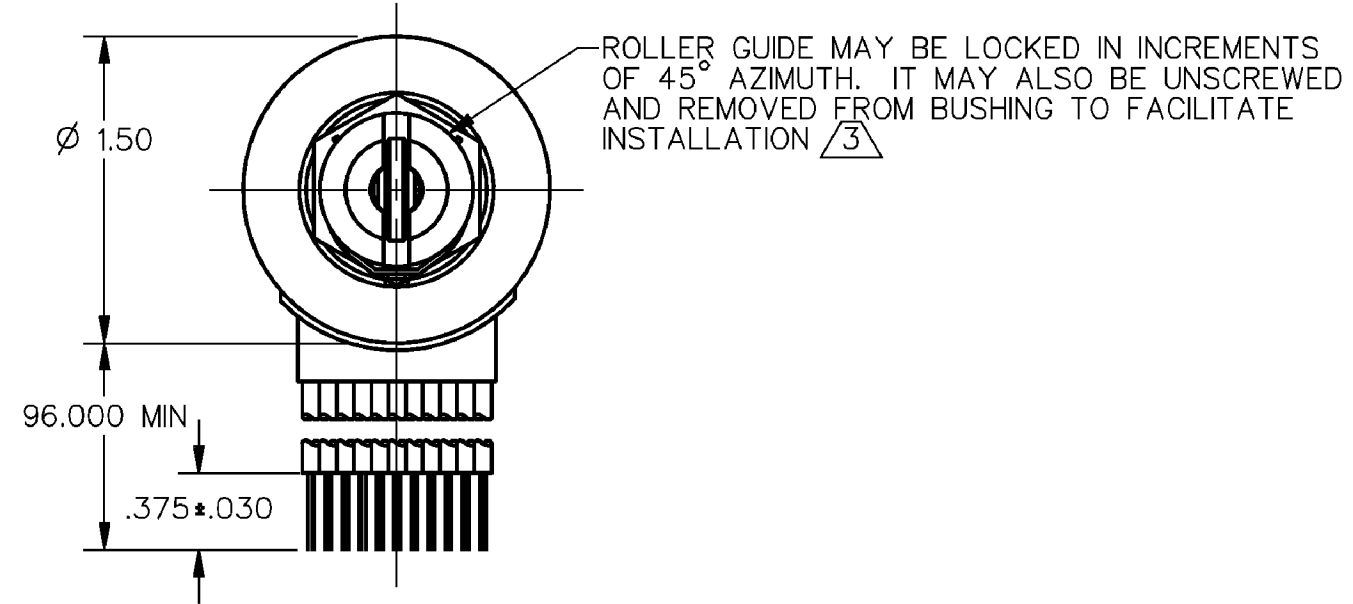


HONEYWELL
PART NUMBER
426EN10-8
FAA-PMA

REV	DOCUMENT	CHANGED BY	CHECK
5	0006596	KSR 15JUL04	AK



- NOTES
- 1 - CORROSION RESISTANT STEEL ENCLOSURE
 - 2 - SWITCH SEALED PER MIL-S-8805 SYMBOL 4
 - TO ADJUST ROLLER DIRECTION, REMOVE ROLLER GUIDE LOCK RING, SCREW ROLLER GUIDE DOWN AS FAR AS POSSIBLE, THEN UNSCREW TO DESIRED DIRECTION. SECURE BY REPLACING GUIDE LOCK RING
 - 4 - COINCIDENCE OF OPERATION AND RELEASING POINTS: .010 OF PLUNGER TRAVEL
 - 5 - CIRCUIT DIAGRAM, CATALOG LISTING, FED MFG CODE, DATE CODE AND FAA-PMA ARE SHOWN ON NAMEPLATE
 - REPLACEMENT MOUNTING HARDWARE: PACKET 19PA8
 - REPLACEMENT ROLLER GUIDE AND LOCKRING PACKET 15PA104
 - REPLACEMENT LOCKRING: PACKET 15PA137
 - HARDWARE MAY BE PACKAGED UNASSEMBLED PER MIL-S-8805
 - RATING APPLIES TO CIRCUITS 1-12
 - RATING APPLIES TO CIRCUITS 13-18
 - FOR MANUFACTURING DETAIL SEE ASSEMBLY DRAWING 426EN10-8 FOR FAA-PMA

CHARACTERISTICS	ELECTRICAL DATA			
OPERATING FORCE ——— 6-12 LB	CONTACT ARRANGEMENT			
FULL OVERTRAVEL FORCE --- 30 LB MAX	6X S P D T			
RELEASE FORCE ——— 4 LB MIN	LOAD	28 VDC		
PRETRAVEL ——— .040 MAX		SEA LEVEL	50,000 FT.	
DIFFERENTIAL TRAVEL — .030 MAX				
OVERTRAVEL ——— .250 MIN	RES	1	7	1
	IND	.5	4	.5
	MOTOR		4	2.5

DESIGN UNITS: INCH	DRAWN	KSR	15JUL04	Honeywell			
TOLERANCES UNLESS NOTED:	CHECK	AK	15JUL04				
NO PLACE .X ± 0.040	THIS DRAWING COVERS A PROPRIETARY ITEM AND IS THE PROPERTY OF HONEYWELL. THIS DRAWING IS NOT TO BE COPIED OR USED WITHOUT THE PERMISSION OF HONEYWELL.			TITLE			
ONE PLACE .X ± 0.030				SWITCH - ENCLOSED			
TWO PLACE .XX ± 0.015				SIZE			
THREE PLACE .XXX ± 0.005				TYPE			
FOUR PLACE .XXXX ± 0.0005				DRAWING NAME			
ANGLES ± 2	INTERPRET PER ASME Y14.5M-1994 OTHER HONEYWELL ENGINEERING STANDARDS MAY APPLY			426EN10-8			
THIRD ANGLE PROJECTION				SCALE	FULL	WEIGHT	32 OZ MAX
RASTER				SHEET	1 OF 1		

X-ON Electronics

Largest Supplier of Electrical and Electronic Components

Click to view similar products for [Basic / Snap Action Switches](#) category:

Click to view products by [Honeywell](#) manufacturer:

Other Similar products are found below :

[83228001](#) [01.098.1358.1](#) [602EN1-6B](#) [602EN532](#) [602EN535-RB](#) [602HE5-RB1](#) [604HE162](#) [604HE223-6B](#) [624HE17-RB](#) [6HM89](#) [6PA78-JM](#)
[6SE1](#) [6SX1-H58](#) [70500840](#) [MBD5B1](#) [MBH2731](#) [73-316-0012](#) [79211759](#) [79211923](#) [79218589](#) [7AS12](#) [ML-1155](#) [ML-1376](#) [831010C3.0](#)
[831060C3.TL](#) [831090C2.EL](#) [83131904](#) [84212012](#) [8AS239](#) [8HM73-3](#) [903VB1-PG](#) [914CE1-6G](#) [PL-100](#) [11SM1077-H4](#) [11SM1077-H58](#)
[11SM1-TN107](#) [11SM405](#) [11SM703-T](#) [11SM8423-H2](#) [11SX37-T](#) [11SX48-H58](#) [11SX55-H58](#) [11SM2442-T](#) [11SM76-T](#) [11SM77-H58](#)
[11SM77-T](#) [11SM863-T](#) [11SM866](#) [11SX47-H58](#) [A7CN-1M-1-LEFT](#)