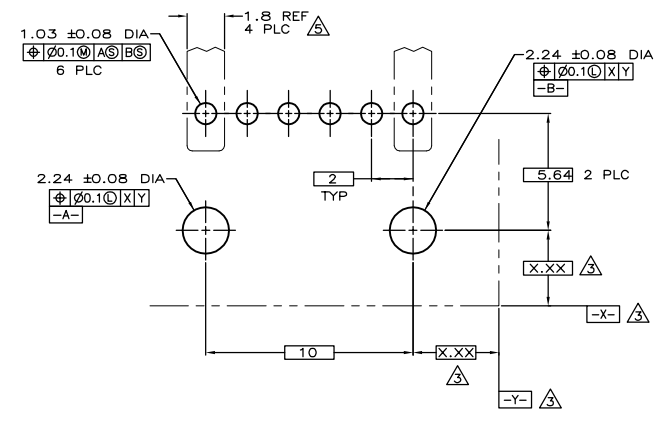
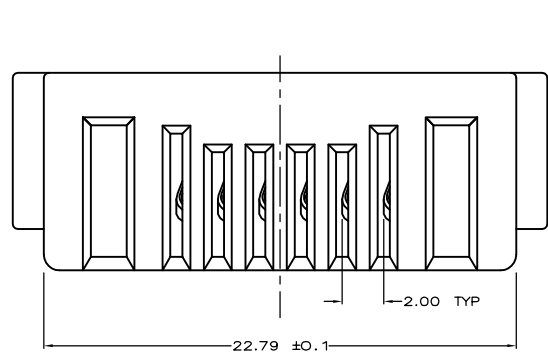
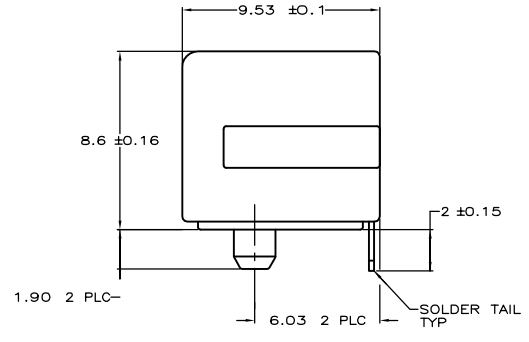
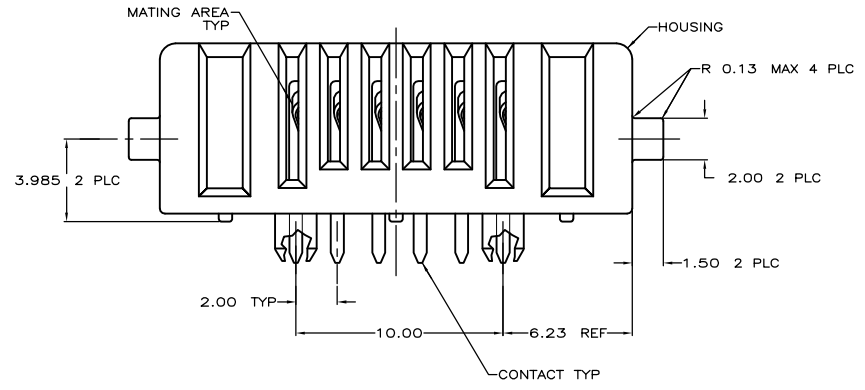


LOC	ES	DRGT	00	REVISIONS		
P	UNR			DESCRIPTION	DATE	APP'D
O	RELEASED	ECR-05-001438		04APPROS	J.Z	I.E



P.C. BOARD MOUNTING DIMENSIONS



- △ MATERIAL:  
HOUSING- SPS, UL 94V-0 RATED, BLACK.  
CONTACTS- PHOSPHOR BRONZE.
- △ PLATING:  
CONTACTS: .076μm MINIMUM GOLD OVER 0.76μm MINIMUM PALLADIUM NICKEL ON MATING AREA,  
3.80μm MINIMUM TIN ON SOLDER TAIL, ALL OVER 1.27μm MINIMUM NICKEL.
- △ DATUMS AND BASIC DIMENSIONS ESTABLISHED BY CUSTOMER.
- △ RECOMMENDED PC BOARD THICKNESS OF 1.57.
- △ RECOMMENDED MINIMUM TRACE WIDTH FOR END POSITIONS  
WHEN CARRYING 4 AMPS: 1.80 WIDE x 55μm THICK, BOTH SIDES.

5787526-1  
PART NUMBER

THIS DRAWING IS A CONTROLLED DOCUMENT.		DATE: 02/16/99	Tyco Electronics Corporation Shanghai, PRC	
DRAWN BY: M.E. SHIRK		DATE: 02/16/99	RECEPTACLE ASSEMBLY, 6 POSITION, MDI	
CHECKED BY: WAYNE DAVIS		DATE: 07-11-99	RESTRICTED TO	
DESIGNED BY: B.S. HILF		DATE: 07-11-99	SCALE: 8:1 SHEET 1 OF 1 REV O	
MATERIAL: 0 PLC - 1 PLC - 2 PLC - 3 PLC - 4 PLC - ANGLES - FINISH -		WEIGHT: -	A1 00779 C-5787526	
CUSTOMER DRAWING				

## X-ON Electronics

Largest Supplier of Electrical and Electronic Components

*Click to view similar products for [Power to the Board](#) category:*

*Click to view products by [TE Connectivity](#) manufacturer:*

Other Similar products are found below :

[10131318-08512GRLF](#) [6450171-4](#) [6450552-7](#) [6600323-8](#) [6643429-1](#) [6646040-2](#) [6651939-1](#) [6766604-1](#) [120959-1](#) [1393557-2](#) [1393532-2](#)  
[1393532-3](#) [1393532-4](#) [1393557-1](#) [1600812-5](#) [1-6450861-2](#) [1645595-1](#) [1743490-1](#) [1744132-7](#) [1761122-1](#) [1766169-1](#) [1766250-1](#) [18362](#)  
[1892109-1](#) [1-967627-6](#) [2226808-1](#) [2-6450860-5](#) [2-6450860-6](#) [2-6450870-0](#) [93003-0502](#) [953552-1](#) [1-6450161-4](#) [1-6450850-6](#) [1645526-2](#) [1-](#)  
[6600130-0](#) [1743419-1](#) [1766150-1](#) [2005243-2](#) [211110-1](#) [2-6600130-2](#) [TE34-12-16P-F0](#) [5-6450830-6](#) [5646956-4](#) [36662-0005](#) [40585-3000](#) [4-](#)  
[6450830-9](#) [4-6600333-3](#) [51142-0214](#) [10134048-911LF](#) [10130248-005LF](#)