

PICCOLO PC H 95 G



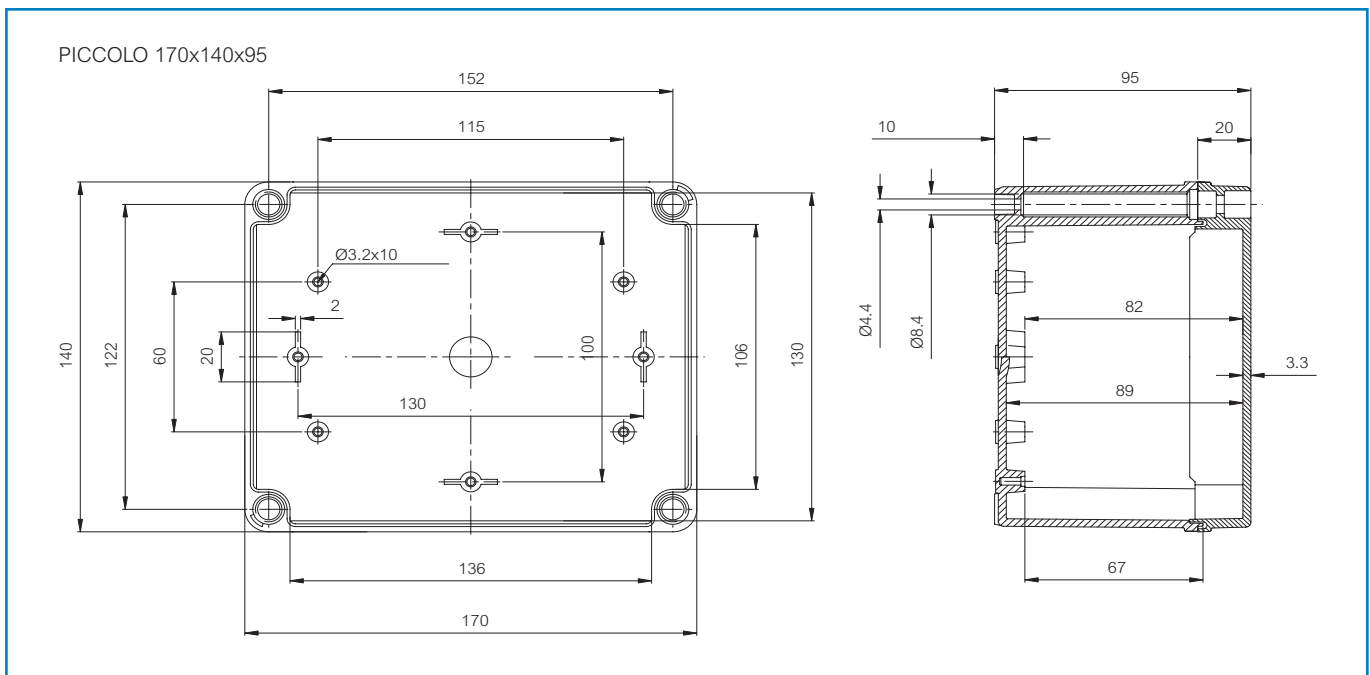
Sample photo

Order symbol: PC H 95 G
Product nbr: 8724315
Description: Enclosure, PC
Remarks: Grey cover

EAN: 6418074002273
El. number:
Finland: 3423417
Denmark: 8212001653
Italy: 7201050
Sweden: 2536826
Norway: 2536517

Including: Base with screws for mounting plate/DIN-rail, cover with PUR gasket and polyamide cover screws.

| Dimensions: | | Length | Width | Height | Rating: |
|-------------------------------|--|----------------------------|-------|--------|--|
| mm: | | 170 | 140 | 95 | Ingress Protection (EN 60529): IP 66/67 |
| inch: | | 6.7 | 5.5 | 3.7 | Impact Resistance (EN 62262): IK 08 |
| Materials: | | | | | Electrical insulation: Totally insulated |
| Material: | | Polycarbonate | | | Halogen free (DIN/VDE 0472, Part 815): Yes |
| Base colour: | | RAL 7035 | | | UV resistance: UL 508 |
| Cover colour: | | RAL 7035 | | | Flammability Rating (UL 746 C 5): UL 746C 5V |
| Cover screws material: | | Polyamide | | | Glow Wire Test (IEC 695-2-1) °C: 960 |
| Cover screws colour: | | Grey | | | NEMA Class: NEMA 1, 4X, 6, 6P, 12, 13 |
| Gasket material: | | Polyurethane | | | |
| Temperatures: | | | | | Certificates: |
| Short term: | | -40 ... 120 °C | | | Germanischer Lloyd (GL) |
| Continuous: | | -40 ... 80 °C | | | Underwriters Laboratories |
| Short term: | | -40 ... 250 °F | | | Fimko |
| Continuous: | | -40 ... 175 °F | | | Europe EN 62208: 2003 |
| Accessories: | | | | | UL Canada |
| H-MP | | Mounting plate | | | Gost R |
| CHM-3 | | DIN-35 Mounting rail | | | |
| DH-3 | | DIN-35 Mounting rail | | | |
| FP 22046 | | Wall fastening lug (4 pcs) | | | |



X-ON Electronics

Largest Supplier of Electrical and Electronic Components

Click to view similar products for [Enclosures, Boxes, & Cases](#) category:

Click to view products by [Fibox](#) manufacturer:

Other Similar products are found below :

[CR-425 PAINTED](#) [585-R-WH-PK](#) [M-10-PLATED](#) [60221-01](#) [60566-01-000](#) [HPL-9VB BATT DOOR](#) [M-16-LID-PLATED](#) [M18-PLTD](#) [M-21-LID-PLATED](#) [M-21-PLATED](#) [M-23-PLATED](#) [CU-281-MB](#) [6711GSKT](#) [71884-29-028](#) [LH45-100 Black](#) [7200B](#) [72868-510-000](#) [CNS-0000 Black](#) [72883-510-000](#) [CNS-0101 Black](#) [72906-510-000](#) [CNS-0407 Black](#) [73091-510-000](#) [CNM-0000-BLACK Kit](#) [73092-510-000](#) [CNM-0101 Black](#) [73108-510-000](#) [CNL-0303 Black](#) [73395-510-039](#) [CNS-0006 Bone](#) [74257-510-000](#) [CNL-0004](#) [MDC-1183-PLAIN-ALUM](#) [MDC-1183-PTD](#) [MDC-13104-PLAIN-ALUM](#) [MDC-211 - PAINTED IVORY/BEIGE](#) [MDC-321-PTD](#) [MDC-432-PLAIN-ALUM](#) [MDC-973-PTD](#) [76](#) [77153-01-028](#) [FLX6030](#) [83535-01-508](#) [PS-11296-G](#) [PS-11298-B](#) [116-508](#) [120-407](#) [120-412](#) [120-909](#) [120-455](#) [R272-100-000](#) [120-910](#) [R501-001-010](#) [R508-080-000](#) [R508-160-000](#) [R530-120-000](#) [R530-122-000](#) [R530-200-000](#) [R531-160-000](#) [R531-200-000](#) [R582-080-100](#)