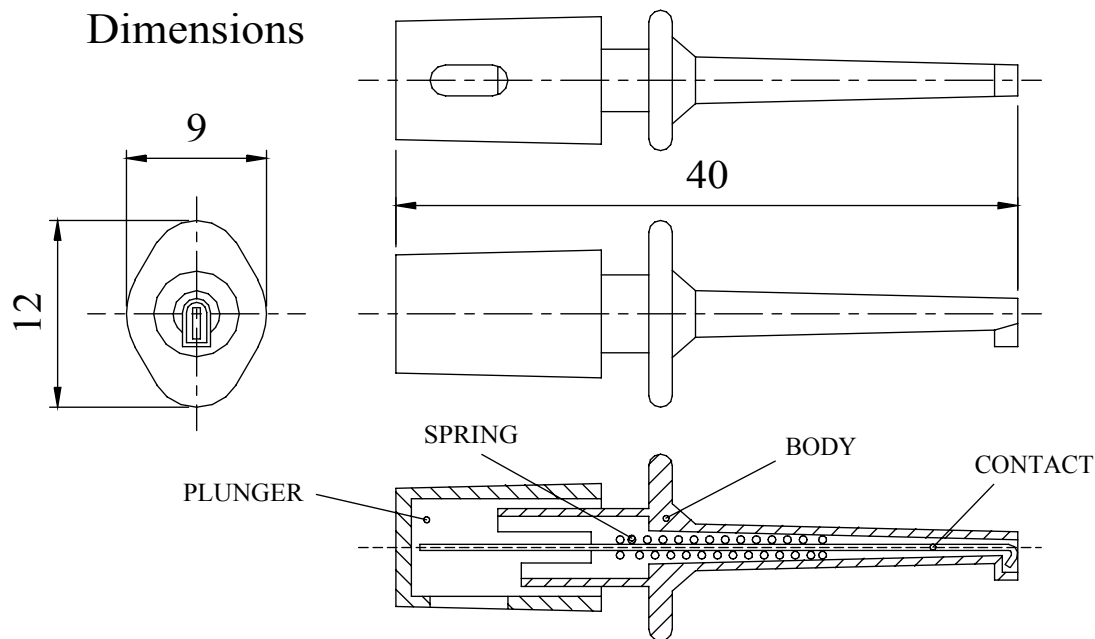


A miniature, spring loaded, plunger action probe, ideally suited for making contact to component leads on high density PCBs including integrated circuit pins etc. Gold flash contact hook and solder connections.  
 Available in a range of colours for identification in multiple probing applications.  
 Suitable for miniature stranded cables.

MATERIAL  
 PLUNGER : Noryl  
                   coloured  
 BODY : Noryl  
           coloured  
 SPRING : Spring Steel  
 CONTACT : Brass  
           Gold flash  
 RATED VOLTAGE : 50V

### Dimensions



COLOUR	ORDER CODE
BLACK	575-0101
BLUE	575-0201
GREEN	575-0401
RED	575-0501
YELLOW	575-0701

Tel No. +44(0)1724 273200 Website www.dem-uk.com



PROPRIETARY AND CONFIDENTIAL  
 THE INFORMATION CONTAINED IN THIS DRAWING IS THE SOLE PROPERTY OF  
 ALPHA 3 MANUFACTURING.  
 ANY REPRODUCTION IN PART OR AS A WHOLE WITHOUT THE WRITTEN PERMISSION OF  
 ALPHA 3 MANUFACTURING IS PROHIBITED.



UNLESS OTHERWISE SPECIFIED:  
 DIMENSIONS ARE IN MILLIMETRES  
 LINEAR TOLERANCE:  
**NO DECIMAL PLACES ±0.5mm**  
**1 DECIMAL PLACE ±0.25mm**  
**2 DECIMAL PLACES ±0.125mm**  
 ANGULAR TOLERANCE: ±1°

FINISH MINIATURE PROBE

DEBURR AND BREAK  
 SHARP EDGES

DRAWN BY

SPB

TITLE GENERAL SPECIFICATION  
 FOR  
 575 SERIES

APPROVED BY

WC

THIRD ANGLE PROJECTION

SHEET 1 OF 1

SCALE 1:1

DRAWING NO. 575 SERIES

ISSUE 05

IF IN DOUBT ASK  
 DO NOT SCALE DRAWING

MATERIAL SEE NOTE



A4

Release

## X-ON Electronics

Largest Supplier of Electrical and Electronic Components

*Click to view similar products for [deltron](#) manufacturer:*

Other Similar products are found below :

[610-0700](#) [651-0800](#) [342-0000](#) [W127G](#) [066541F](#) [066542D](#) [W205C](#) [W106C](#) [611-0700](#) [717-0400](#) [456-0020](#) [460-0070](#) [479-0020-5](#) [486-121209-66](#) [480-C010](#) [490-170805E-68](#) [459-0080](#) [459-0140](#) [590-0700](#) [MDU14S](#) [4MP2616](#) [461-0030](#) [461-0050](#) [571-0400-01](#) [480-C040](#) [462-0020E](#) [4DR3522](#) [487-261612E-66](#) [486-261609-68](#) [000-035-100](#) [466-0050](#) [356-0200](#) [702-0500](#) [711-0500](#) [552-0600](#) [WHT](#) [800-0400](#) [487-261609E-66](#) [487-221209E-68](#) [462-0040A](#) [461-0070](#) [456-0030](#) [461-0070E](#) [490-040503A-68](#) [486-S68-2616](#) [4ELM6](#) [483-0100](#) [483-0030](#) [480-0010](#) [466-0150](#) [456-0120](#)