

THIS DRAWING IS UNPUBLISHED.

RELEASED FOR PUBLICATION

-. - .

© COPYRIGHT - By -

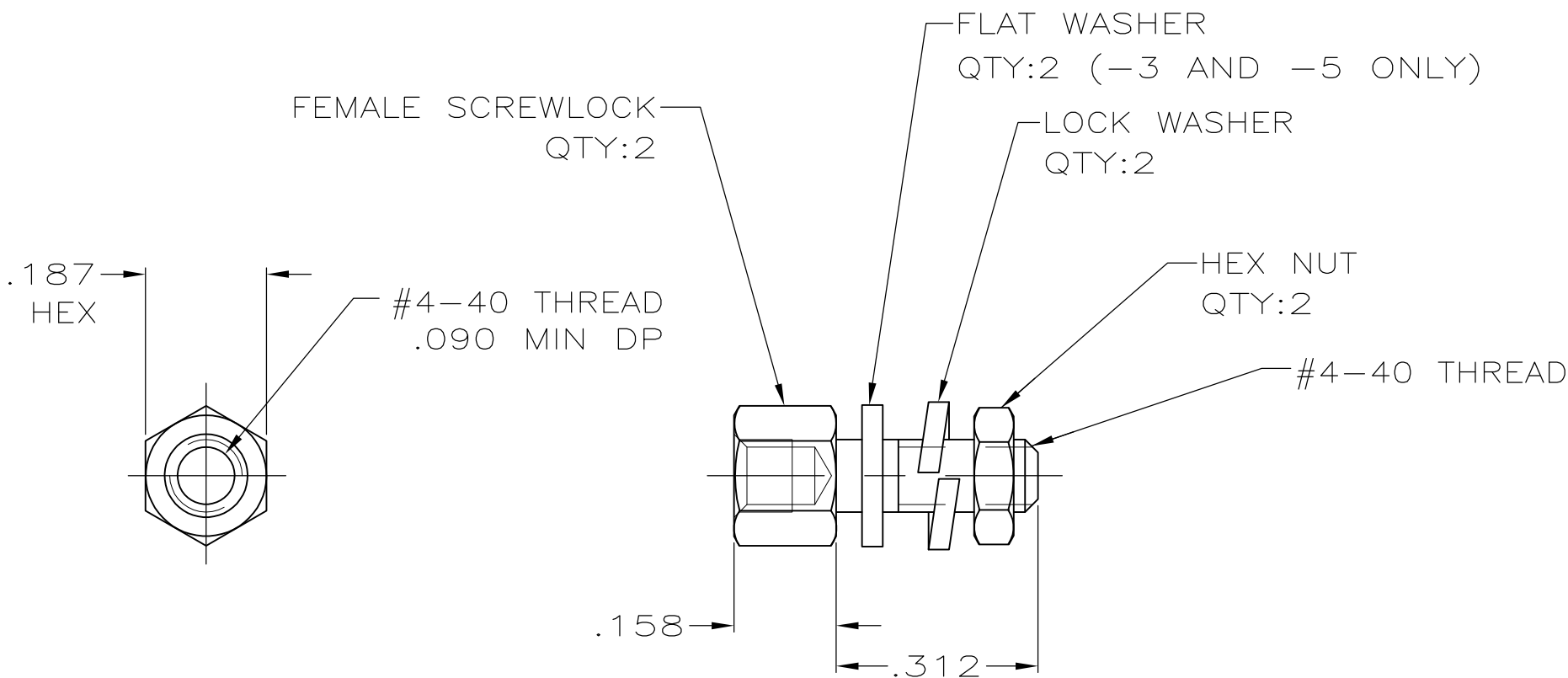
ALL RIGHTS RESERVED.

LOC  
GP

DIST  
00

REVISIONS

P	LTR	DESCRIPTION	DATE	DWN	APVD
	R	REVISED PER ECO-15-002171	04MAR2015	AP	PR



1. PARTS PACKAGED UNASSEMBLED.

2. PARTS PACKAGED AS A UNIT KIT.

3 ZINC PLATING .000200-.000400 THICK, YELLOW CHROMATE COATING.

4 ZINC PLATING .000200-.000400 THICK, CLEAR CHROMATE COATING.

4	W/ FLAT WASHER	5748271-5
	W/O FLAT WASHER	5748271-4
3	W/ FLAT WASHER	5748271-3
	W/O FLAT WASHER	5748271-1
FINISH	REMARKS	PART NUMBER

THIS DRAWING IS A CONTROLLED DOCUMENT.		DWN S.WAITMAN 12JUL05	<b>STE</b> TE Connectivity														
DIMENSIONS: INCHES		CHK C.ROHDE 12JUL05															
TOLERANCES UNLESS OTHERWISE SPECIFIED:		APVD M.WALMSLEY 12JUL05	NAME FEMALE SCREWLOCK KIT, SHORT HEAD, .090 PANEL, AMPLIMITE														
<table border="1"> <tr><td>0 PLC</td><td>± -</td></tr> <tr><td>1 PLC</td><td>± -</td></tr> <tr><td>2 PLC</td><td>± -</td></tr> <tr><td>3 PLC</td><td>± .005</td></tr> <tr><td>4 PLC</td><td>± -</td></tr> <tr><td>ANGLES</td><td>± -</td></tr> </table>		0 PLC	± -	1 PLC	± -	2 PLC	± -	3 PLC	± .005	4 PLC	± -	ANGLES	± -	PRODUCT SPEC -	-		
0 PLC	± -																
1 PLC	± -																
2 PLC	± -																
3 PLC	± .005																
4 PLC	± -																
ANGLES	± -																
MATERIAL STEEL		FINISH 3	APPLICATION SPEC -	SIZE A3	CAGE CODE 00779												
CUSTOMER DRAWING			DRAWING NO C-5748271	RESTRICTED TO -	SCALE 4:1												
			WEIGHT -	SHEET 1 OF 1	REV R												

## X-ON Electronics

Largest Supplier of Electrical and Electronic Components

*Click to view similar products for [D-Sub Tools & Hardware](#) category:*

*Click to view products by [TE Connectivity](#) manufacturer:*

Other Similar products are found below :

[173112-0667](#) [173112-0759](#) [173112-0967](#) [173112-0291](#) [173112-0456](#) [000-01-09-132](#) [000-01-21-132](#) [000-01-31-162](#) [572019-00105-70](#)  
[000-01-37-162](#) [621-250-113-115](#) [D20418-2R](#) [D20418-J3F](#) [70521CLF](#) [70524BLF](#) [70527BLF](#) [70527CLF](#) [F1042-1PLAH](#) [750643-1](#) [780-010-06G4-00C](#) [780-518-50SG6-WS](#) [863004ATLF](#) [86552009](#) [86553115TLF](#) [86553117TLF](#) [86553156LF](#) [FSGK1/5](#) [980-8554-000](#) [980-8555-000](#)  
[980-8557-000](#) [980-8558-000](#) [1230032-1](#) [1-5021101-2](#) [15-000050](#) [1589283-4](#) [160-000-005R031](#) [16-000230](#) [160-020-109R000](#) [160-025-004R031](#) [160-015-003R031](#) [160-020-209R000](#) [160X10909X](#) [164C03939A](#) [177-505-A-2-2](#) [177-505-C-4-4](#) [179-013-1H](#) [1-966830-8](#) [21018-621028-3](#) [213622-5](#)