

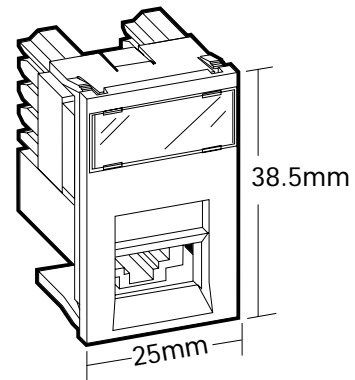
MOD-SNAP IDC Module 8 Wire UTP 568B Category 5



42.1B.011.A0012

Features

- Ultra-shallow design.
- White MOD-SNAP module compatible with existing range of modules and accessories.
- Independently tested to Category 5.
- High durability RJ45 interface
- No special application tooling requirements.



Cut out size: 37 x 22mm

MOD-SNAP IDC Module

The improved MOD-SNAP IDC module offers reduced depth requirements and is currently believed to be the shallowest device of this kind available. It is suitable for use with MOD-TAP Wallplates in BS4662 boxes of only 16mm depth. In floorbox applications it can be directly mounted to a flat metal or plastic faceplate, and in this case a minimum clearance of 20mm is required behind the plate. Building wiring is directly connected to the rear face of the module using industry standard terminating tools.

Part No.	Description
----------	-------------

42.1B.011.A0012	MOD-SNAP IDC Module 8 Wire UTP 568B - Colour White
-----------------	--

Technical Specification

Termination Tools:

MOD-TAP and industry standard tooling

Panel Cut-out:

22mm x 37mm, (suitable hole punch part no 543-709 available from RS Components).

IDC Terminations:

Suitable for 0.4mm - 0.6mm solid or stranded cable, maximum o.d. 1.5mm. Two wires may be terminated for daisy-chain applications.

Patents pending on connector and module designs.

Mechanical

Jack Connector

Operating Life: Minimum 500 insertion cycles
 Contact Material: Phosphor Bronze
 Contact Plating: 1.25 micrometres Au/Ni
 Material: UL 94VO Thermoplastic

IDC Connector

Operating Life: Minimum 100 Reterminations
 Contact Material: Phosphor Bronze
 Contact Plating: Sn/Pb over Ni
 Wire Size: 2x26-22 AWG solid or stranded

Electrical

D.C. Resistance: 20 mΩ
 D.C. Resistance Imbalance: 2.0 mΩ
 Insulation Resistance: >100 MΩ

Attenuation (dB)	@	1 MHz	0.0121
	@	16 MHz	0.0193
	@	100 MHz	0.1052
Crosstalk (dB)	@	1 MHz	-84.26
	@	16 MHz	-60.03
	@	100 MHz	-42.32
Return Loss (dB)	@	1 MHz	-51.26
	@	16 MHz	-36.99
	@	100 MHz	-18.06

JUNE 96 D.S. 1

X-ON Electronics

Largest Supplier of Electrical and Electronic Components

Click to view similar products for [Modular Connectors](#) / [Ethernet Connectors](#) category:

Click to view products by [Mod-Tap](#) manufacturer:

Other Similar products are found below :

[RJE231881317T](#) [MP1010RX-1000](#) [MP44RX-1000](#) [GAX-3-66](#) [GAX-8-62](#) [93606-0253](#) [GD-A-44](#) [GDCX-PA-66-50](#) [GDCX-PN-64](#) [GDCX-PN-66](#) [GDCX-PN-66-50](#) [GDLX-A-66](#) [GDLX-A-88](#) [GDLX-N-66](#) [GDLX-S-88K](#) [GDTX-S-88-50](#) [GDX-PA-1010](#) [GLX-N-1010M-BLK](#) [GLX-N-44M](#) [GLX-S-88M-BLK](#) [GMX-N-1010](#) [GMX-S-1010](#) [GMX-S-66](#) [GMX-SMT2-N-1010](#) [GMX-SMT2-N-64-50](#) [GMX-SMT2-S6-88](#) [GMX-SMT4-N-88](#) [GPX-2-64](#) [GRT1-BT1-5](#) [GSGX-N-2-88](#) [GSX-NS2-88-3.05](#) [GSX-NS2-88-3.05-50](#) [GSX-NS-88-3.05-30](#) [GSX-NS-88-3.05-50](#) [GSX-NS-88-3.68](#) [1-1775629-2](#) [GWLX-S-88-GR](#) [GWLX-S9-88-YG](#) [1300500326](#) [1300500227](#) [1300530003](#) [1300570002](#) [1324640-4](#) [RJ11FTVC2G](#) [RJ11FTVC2N](#) [RJFTVX2SA1G](#) [132764-001](#) [1400000](#) [1413176](#) [1413235](#)