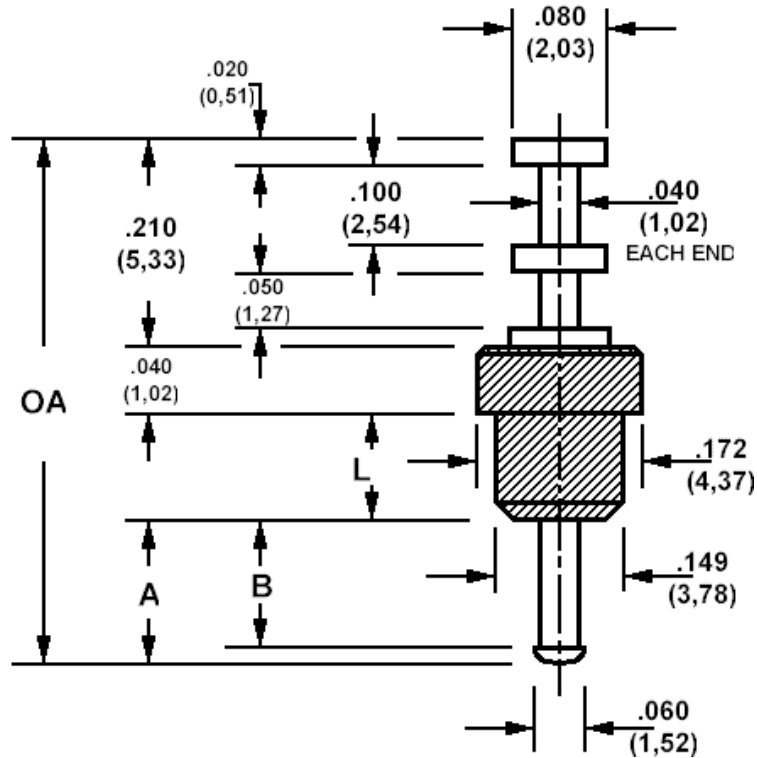


## 571-4182 Insulated solder terminal, Turreted, Feed thru

Recommended mounting hole .136 (3,45)



How to order code

**571-4182-XX-YY-19**

Basic Part No (XX = Panel thickness, YY = plating finish. See tables for options)

Basic Part No.		OA (ref)	L	Panel Thickness (XX)
571-4182	-01	.500 (12,70)	.100 (2,54)	.031 (0,79) to .062 (1,59)
	-02	.500 (12,70)	.125 (3,18)	.031 (0,79) to .085 (2,16)
	-03	.500 (12,70)	.165 (4,19)	.031 (0,79) to .125 (3,18)

Additional Dimensions			
Basic Part No.		A	B
571-4182	-01	.150 (3,81)	.120 (3,05)
	-02	.125 (3,18)	.095 (2,41)
	-03	.085 (2,16)	.055 (1,40)

Component	Material	Finish <sub>t</sub> (YY)	
		-01	-05
Terminal	Brass	Silver	Electro Solder
Insulator	Teflon - white		

Additional Specifications	Panel thickness		
	-01	-02	-03
Flashover VRMS at Sea Level	3000	3000	3000
Capacitance (pF)	0.4	0.4	0.4

Teflon is a registered trademark of Dupont

## X-ON Electronics

Largest Supplier of Electrical and Electronic Components

*Click to view similar products for [wearnes cambion manufacturer](#):*

Other Similar products are found below :

[570-1990-01-01-00](#) [450-3888-01-04-00](#) [450-3704-01-06-00](#) [570-1503-01-05-19](#) [570-1504-01-05-19](#) [570-1994-02-01-00](#) [460-3299-03-03-00](#)  
[160-2085-02-01-00](#) [570-1511-01-01-19](#) [460-2970-03-04-00](#) [570-3648-02-01-00](#) [450-8340-01-06-00](#) [570-2045-01-01-00](#) [450-3422-01-06-00](#)  
[572-4826-01-05-16](#) [461-2872-01-03-12](#) [450-8325-01-06-00](#) [570-2641-01-01-19](#) [450-3367-01-04-00](#) [572-4870-01-05-16](#) [571-4182-03-01-19](#)  
[461-2871-01-03-12](#) [572-4810-01-05-16](#) [160-2034-02-01-00](#) [160-2027-02-01-00](#) [571-4015-01-01-19](#) [160-1512-02-01-00](#) [460-8250-01-04-00](#)  
[160-1797-02-01-00](#) [160-1245-02-01-00](#) [460-2970-02-03-00](#) [450-4352-01-03-10](#) [140-2089-02-01-00](#) [160-1724-02-01-00](#) [572-4814-01-05-16](#)  
[160-1026-02-01-00](#) [460-2970-02-04-00](#) [160-3653-02-01-00](#) [160-1558-02-01-00](#) [140-1785-02-01-00](#) [450-3326-01-03-00](#)