

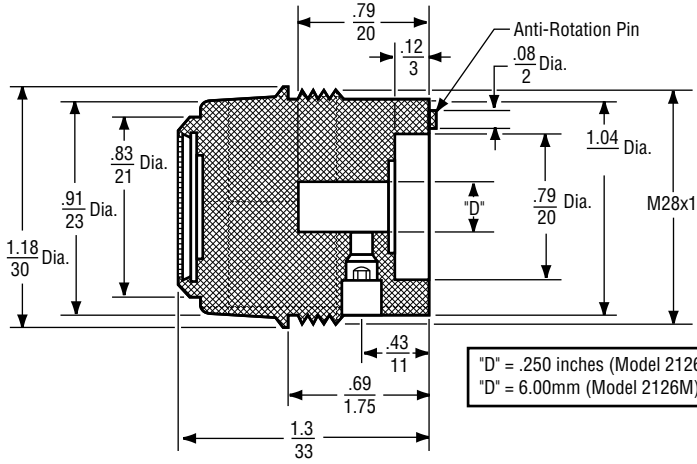
**MODEL 2126**  
**1" Diameter**  
**Digital**  
**Turns Counting Dial**



<b>MODEL</b>	<b>2126</b>	<b>2126M (METRIC)</b>
Counting Capacity, Maximum Turns	10	
For Shaft Diameter	1/4"	6.00mm
For Bushing Diameter	3/8"	
Depth: Maximum, From Face of Panel	.65"/16.5mm	
Shaft Extension:	Maximum, From Face of Panel	.65"/16.5mm
	Minimum, From Face of Panel	.43"/11.0mm
Bushing Extension:	Maximum, From Face of Panel	.16"/4.1mm
	Minimum, From Face of Panel	.11"/2.8mm
Locking Mechanism	Locking Brake	
Weight, Approximate	0.76 oz.	
Numerals	0.09" High, White on Black Background	
# of Digits	3	
Knob Material	Polycarbonate, Black	

Specifications subject to change without notice.

**OUTLINE DIMENSIONS (Inch/mm)**



"D" = .250 inches (Model 2126)  
 "D" = 6.00mm (Model 2126M)

**Panel Hole Dimensions**

