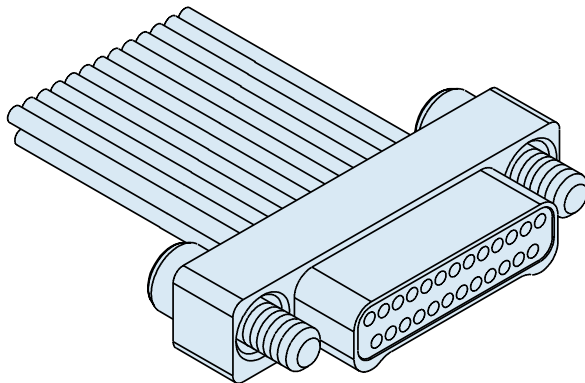


# 891-001 and 891-002 Dual Row Nano Connector with Insulated Wire



**Glenair Insulated Wire Nano Connectors** feature gold alloy TwistPin contacts. Contacts are precision-crimped to insulated, stranded wire. These nanominiature connectors offer premium performance and reliability for demanding applications. Contact spacing is .025 inches. 1 amp current rating, DWV rating 250 volts AC. Wire gages #30 and #32 AWG.

**TwistPin Contact System** assures premium performance in demanding environments. The gold/platinum alloy contacts will stand up to years of exposure without corrosion.

**Typical Applications** include UAV's, satellites, missile systems and geophysical instruments.

## How to Order Nano Connectors with Insulated Wire

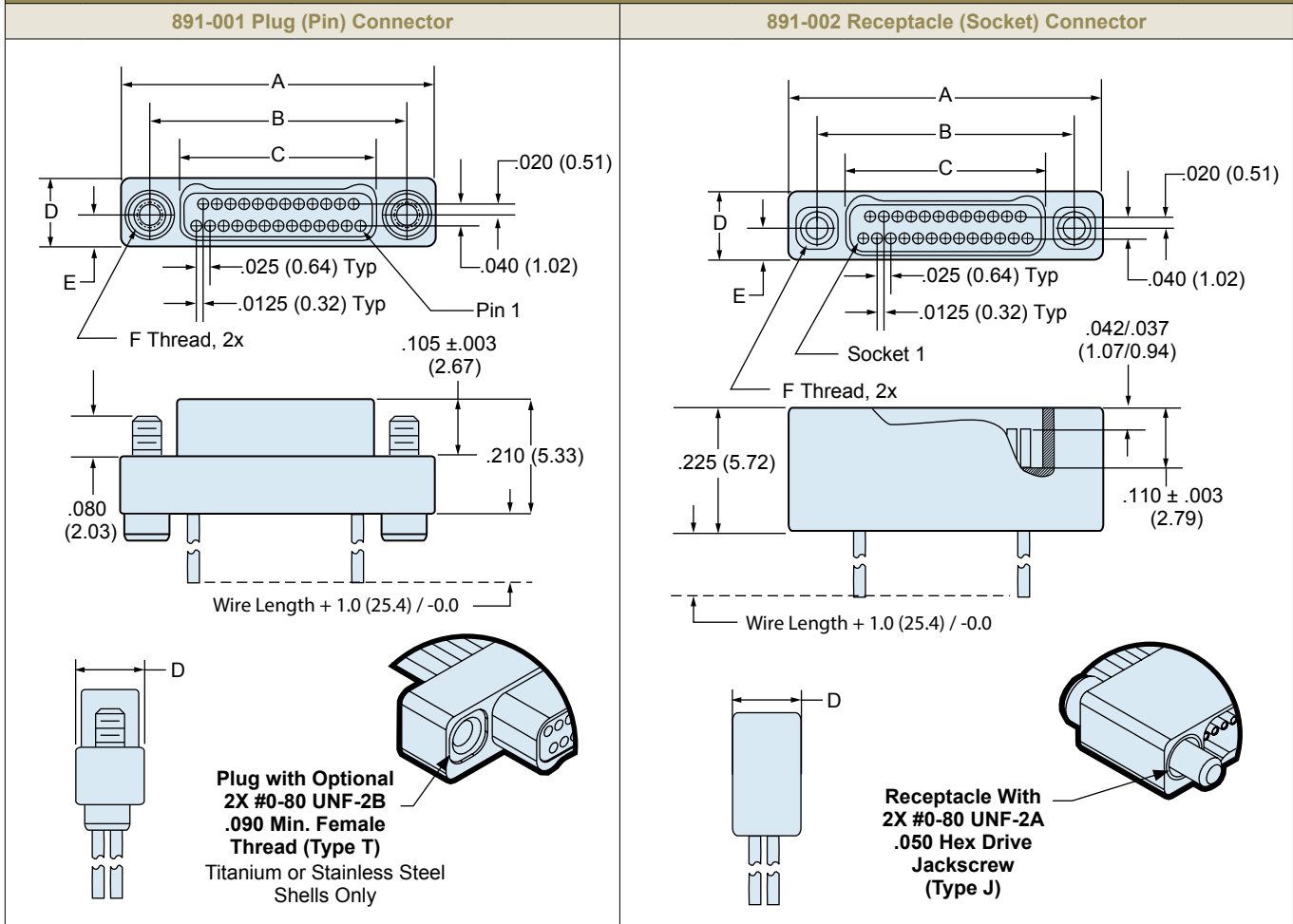
<b>Sample Part Number</b>	<b>891-002</b> -37S A1 -0 A 1 -12 J
<b>Series</b>	<b>891-001</b> Plug, Pin Contacts, Dual Row, Nanominiature <b>891-002</b> Receptacle, Socket Contacts, Dual Row, Nanominiature
<b>Insert Arrangement/ Contact Type</b>	Plugs (891-001): <b>9P, 15P, 21P, 25P, 31P, 37P, 51P, 65P, 69P, 85P</b> Receptacles (891-002): <b>9S, 15S, 21S, 25S, 31S, 37S, 51S, 65S, 69S, 85S</b>
<b>Shell Material and Finish</b>	<b>A1</b> - Aluminum Shell, Cadmium Plating <b>T</b> - Titanium Shell, Unplated <b>A2</b> - Aluminum Shell, Electroless Nickel Plating <b>S</b> - Stainless Steel Shell, Passivated
<b>Wire Gage</b>	<b>0</b> - #30 AWG <b>2</b> - #32 AWG
<b>Wire Type</b>	<b>A</b> - Ultralightweight XLETFE Insulation, Silver-Coated Ultrahigh-Strength Copper (Not available for #32 AWG) <b>B</b> - Extruded PTFE Insulation, NEMA HP3-ETX (MIL-W-16878/6) <b>C</b> - Cross-Linked Modified ETFE Insulation, MIL-W-22759/33 (Not available for #32 AWG)
<b>Wire Color Code</b>	<b>1</b> - White <b>2</b> - Yellow <b>7</b> - 10 Color Repeating (wire type <b>A</b> is striped, types <b>B</b> and <b>C</b> are solid colors)
<b>Wire Length Inches</b>	<b>12</b> = 12.00 + 1.00 inches
<b>Hardware</b>	<b>J</b> - Jackscrew <b>T</b> - Female Threads Female threads are available on plug connectors only if the shell material is titanium or stainless steel.



Plug (Pin) Connector		Receptacle (Socket) Connector	
"J" Jackscrew Option	"T" Female Thread Option Titanium or Stainless Steel Shells Only	"T" Female Thread Option	"J" Jackscrew Option

Dimensions in inches (millimeters) and are subject to change without notice.

Table 1: Dual Row Nano Insulated Wire Dimensions



Layout	A		B BSC.		C BSC.		D		E BSC.		F Thread
	In. ±.005	mm. ±0.13	In.	mm.	In.	mm.	In. ±.005	mm ±0.13	In.	mm	
9P	.375	9.52	.270	6.86	.160	4.06	.125	3.18	.0575	1.46	#0-80 UNF
9S	.375	9.52	.270	6.86	.163	4.14	.125	3.18	.0575	1.46	#0-80 UNF
15P	.450	11.43	.345	8.76	.235	5.97	.125	3.18	.0575	1.46	#0-80 UNF
15S	.450	11.43	.345	8.76	.238	6.04	.125	3.18	.0575	1.46	#0-80 UNF
21P	.525	13.33	.420	10.67	.310	7.87	.125	3.18	.0575	1.46	#0-80 UNF
21S	.525	13.33	.420	10.67	.313	7.95	.125	3.18	.0575	1.46	#0-80 UNF
25P	.575	14.60	.470	11.94	.360	9.14	.125	3.18	.0575	1.46	#0-80 UNF
25S	.575	14.60	.470	11.94	.363	9.22	.125	3.18	.0575	1.46	#0-80 UNF
31P	.650	16.51	.545	13.84	.435	11.05	.125	3.18	.0575	1.46	#0-80 UNF
31S	.650	16.51	.545	13.84	.438	11.12	.125	3.18	.0575	1.46	#0-80 UNF
37P	.725	18.41	.620	15.75	.510	12.95	.125	3.18	.0575	1.46	#0-80 UNF
37S	.725	18.41	.620	15.75	.513	13.03	.125	3.18	.0575	1.46	#0-80 UNF
51P	.900	22.86	.795	20.19	.685	17.40	.125	3.18	.0575	1.46	#0-80 UNF
51S	.900	22.86	.795	20.19	.688	17.47	.125	3.18	.0575	1.46	#0-80 UNF
65P	1.075	27.30	.970	24.64	.860	21.84	.125	3.18	.0575	1.46	#0-80 UNF
65S	1.075	27.30	.970	24.64	.863	21.92	.125	3.18	.0575	1.46	#0-80 UNF
69P	1.125	28.57	1.020	25.91	.910	23.11	.125	3.18	.0575	1.46	#0-80 UNF
69S	1.125	28.57	1.020	25.91	.913	23.19	.125	3.18	.0575	1.46	#0-80 UNF
85P	1.377	34.97	1.246	31.65	1.110	28.19	.150	3.81	.070	1.78	#2-56 UNC
85S	1.377	34.97	1.246	31.65	1.113	28.27	.150	3.81	.070	1.78	#2-56 UNC

Dimensions in inches (millimeters) and are subject to change without notice.

## X-ON Electronics

Largest Supplier of Electrical and Electronic Components

*Click to view similar products for [D-Sub Micro-D Connectors](#) category:*

*Click to view products by [Glenair](#) manufacturer:*

Other Similar products are found below :

[M243082311F](#) [M2430834F](#) [M24308/4-6F](#) [65-1920-15](#) [M83513/01-HN](#) [M83513/03-A10N](#) [M83513/03-B14C](#) [M83513/03-D09C](#) [M83513/03-D11N](#) [M83513/03-G02N](#) [M83513/03-G05N](#) [M83513/03-G08C](#) [M83513/03-G09N](#) [M83513/03-G12N](#) [M83513/03-H13N](#) [M83513/04-E15N](#) [M83513/04-G04C](#) [M83513/10-E01NP](#) [M83513/13-B01NP](#) [M83513/13-C01NN](#) [M83513/16-A01CP](#) [M83513/22-D01NP](#) [M83513/25-B01NP](#) [6R2004A30F015](#) [6R4006A28A120](#) [703006A13F060](#) [704002A03F200](#) [705001A13F120](#) [7-1532020-5](#) [748567-1-P](#) [MDB1-31SH003](#) [MDM-15PBS-L58](#) [MDM-15PCBRM7T](#) [MDM-15PH003B-A174](#) [75-068624-59S](#) [MDM-15PH034B](#) [MDM-15SH001L](#) [MDM-15SH004B](#) [MDM-21PH003K](#) [MDM-25PH003B-A174](#) [MDM-25PHW01F-A174](#) [MDM-37PH006L-A174](#) [MDM-37PH048M5-A174](#) [MDM-37SCBRP-A174](#) [MDM-51PBS-L56](#) [MDM-51PSF](#) [MDM-51SH003M7](#) [MDM-51SSM7-A174](#) [MDM-9PBSP-L58](#) [MDM-9PH003M7](#)