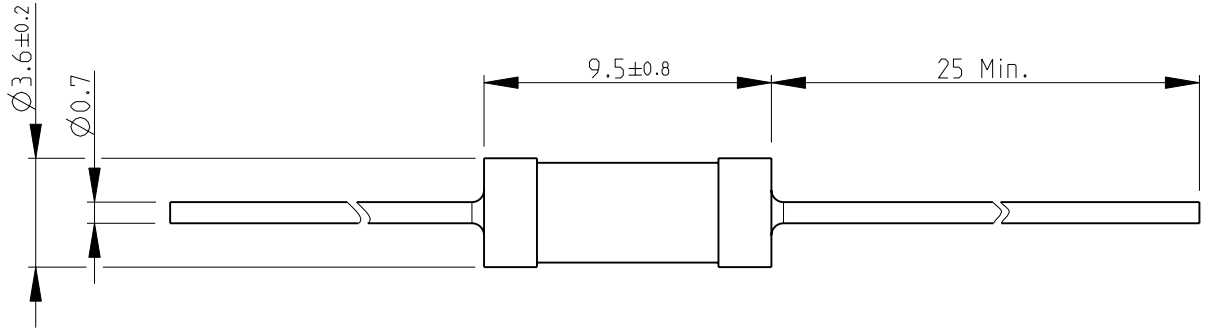
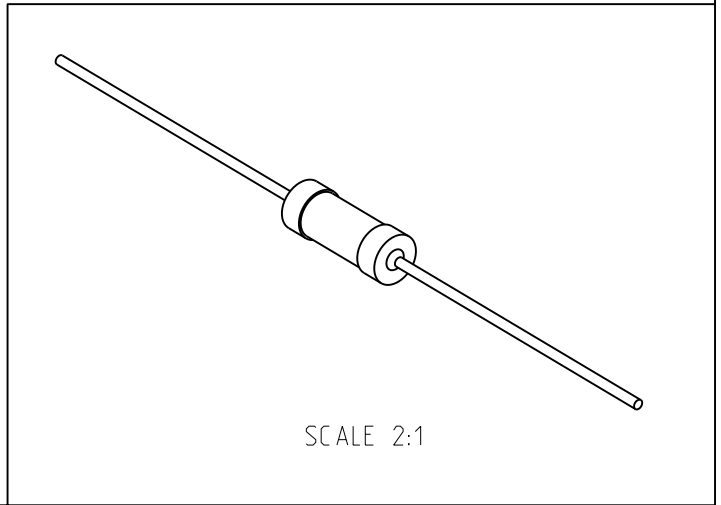


LOC	DIST	REVISIONS					
E	B	P	LTR	DESCRIPTION	DATE	DWN	APVD
			A1	REVISED PER ECO-11-005150	29MAR2011	RK	HMR

FOR FURTHER INFORMATION SEE DATA SHEET FOR
CBT SERIES-CARBON COMPOSITION RESISTORS



RoHS Compliant



SCALE 2:1

2008


RELEASED FOR PUBLICATION

THIS DRAWING IS UNPUBLISHED.

ALL RIGHTS RESERVED.

BY -

© COPYRIGHT 2008

DIMENSIONS:	DWN	18-Sep-08	MATERIAL	-	FINISH	-	
mm	SUBHASH.M						
TOLERANCES UNLESS OTHERWISE SPECIFIED:	CHK	18-Sep-08	 TE Connectivity				
	PRAKASH.S						
0 PLC ± 0.2 1 PLC ± 0.1 2 PLC \pm 3 PLC \pm 4 PLC \pm ANGLES $\pm 5^\circ$	APVD	18-Sep-08	NAME CARBON COMPOSITION RESISTORS SERIES CBT50				
	STEPHEN.P						
	PRODUCT SPEC						
	APPLICATION SPEC		SIZE	CAGE CODE	DRAWING NO	RESTRICTED TO	
			A 4	00779	C-1625876	-	
	WEIGHT	-	CUSTOMER DRAWING			SCALE 4:1	SHEET 1 OF 1
						REV A1	

X-ON Electronics

Largest Supplier of Electrical and Electronic Components

Click to view similar products for [Carbon Composition Resistors](#) category:

Click to view products by [TE Connectivity](#) manufacturer:

Other Similar products are found below :

[IBT1/4102JLF](#) [OE5655](#) [OG5625](#) [OB1025](#) [OE1855](#) [OG2005](#) [IBT1/4100JLF](#) [OF-112JE](#) [OH6205](#) [RC0S2CA270RKE](#) [OF224KE](#)
[CF18JT910R](#) [RC20GF240J](#) [RC20GF561J](#) [RC07GF361J](#) [RC1/4435JB](#) [RC1/4135JB](#) [RC1/4201JTD](#) [RC1/2331KTD](#) [RC20GF470JTRLF](#)
[RC1/2155KTD](#) [RC1/4274KTD](#) [RC1/47R5JB](#) [RC1/4565JB](#) [RC1/4160JB](#) [RC1/2475KTB](#) [RC1/2471JTD](#) [RC1/2431JTD](#) [RC1/2334KB](#)
[RC1/2225KB](#) [RC1/2166KTD](#) [RC1/2103KTD](#) [RC1/2102JTD](#) [RC1/2434JB](#) [RC1/22R4JB](#) [RC1/2165JB](#) [RC07GF510JTR](#) [RCC025 2R7 J B](#)
[CFR0W4J0242A10](#) [CFR0W4J0391A50](#) [CFR0W4J0303A50](#) [CFR0W4J0433A50](#) [CFR03SJ0753AA0](#) [CFR03SJ0470AA0](#) [CF1/6W-20K±5%](#)
[T52](#) [CF1/4W-43±5% T52](#) [CFR01SJ0433A10](#) [RD50T5151J](#) [RD 1/8W 33K J T/B A1](#) [RD 2WS 3K6 J T/B A1](#)