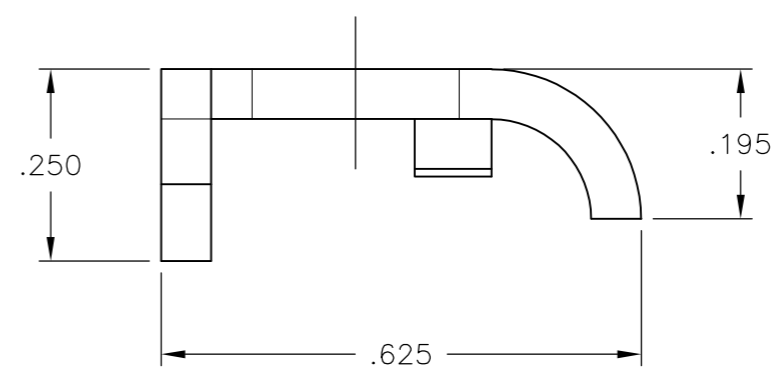
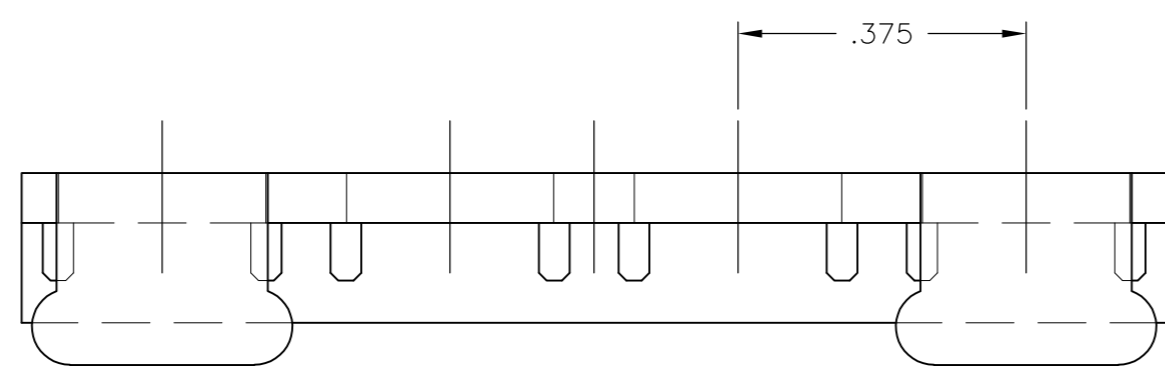
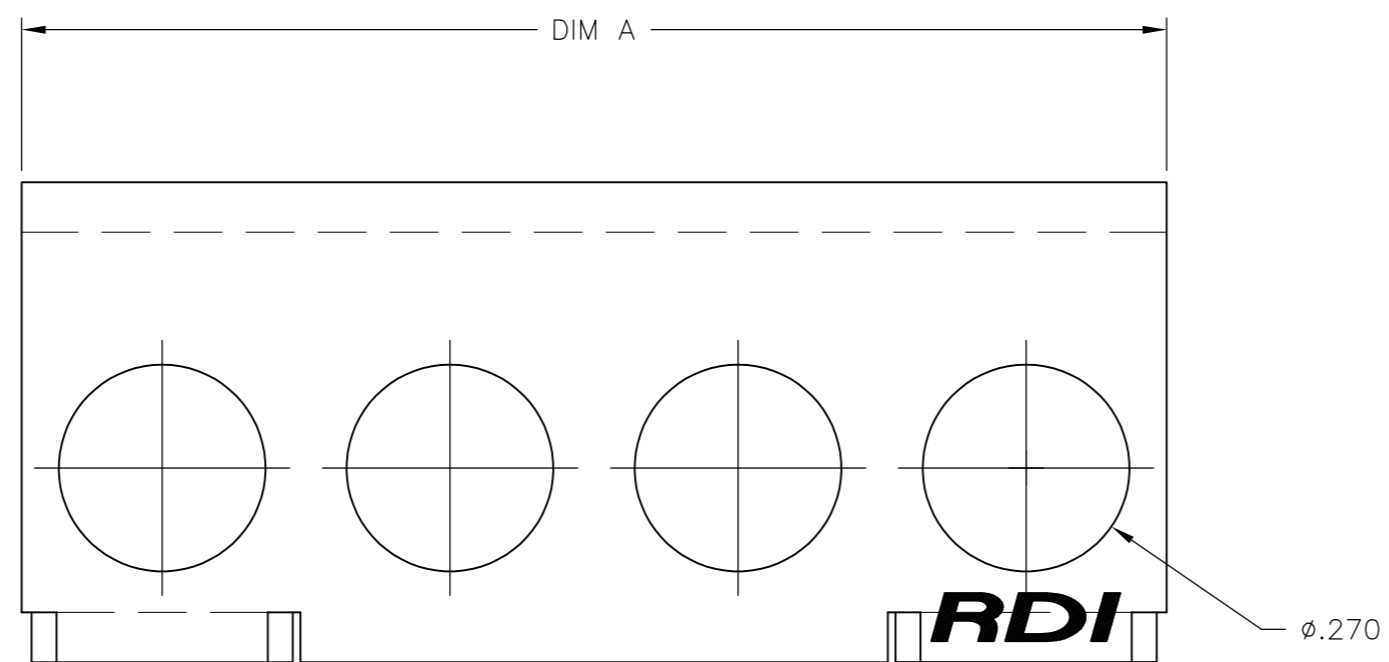


THIS DRAWING IS UNPUBLISHED. RELEASED FOR PUBLICATION
 © COPYRIGHT - By - ALL RIGHTS RESERVED.

LOC		DIST		REVISIONS			
P	LTR	DESCRIPTION		DATE	DWN	APVD	
		D1		REVISED PER ECO-11-004820	11MAR11	RK HMR	

NOTES:

- 1 MATERIAL: POLYPHENYLENE OXIDE UL94V-0, BLACK.
- 2 POSITION HAS RDI LOGO OMITTED.
- 3. FOR USE WITH 6 SERIES BARRIER STRIPS.



5.991	16	TC6-16-PFH	4-1437661-7
5.616	15	TC6-15-PFH	4-1437661-6
5.241	14	TC6-14-PFH	1-1776050-4
4.866	13	TC6-13-PFH	1-1776050-3
4.491	12	TC6-12-PFH	4-1437661-5
4.116	11	TC6-11-PFH	7-1437661-4
3.741	10	TC6-10-PFH	4-1437661-4
3.366	9	TC6-09-PFH	4-1437661-2
2.991	8	TC6-08-PFH	4-1437661-0
2.616	7	TC6-07-PFH	3-1437661-8
2.241	6	TC6-06-PFH	3-1437661-7
1.866	5	TC6-05-PFH	3-1437661-4
1.491	4	TC6-04-PFH	3-1437661-2
1.116	3	TC6-03-PFH	2-1437661-9
.741	2	TC6-02-PFH	2-1437661-7
DIM A	NO. OF POS.	CATALOG NUMBER	PART NUMBER

THIS DRAWING IS A CONTROLLED DOCUMENT.		DWN S SCHLEGEL 23MAY03				
DIMENSIONS: INCHES		CHK S YODER 5/23/03				
TOLERANCES UNLESS OTHERWISE SPECIFIED:		APVD S YODER 5/23/03	NAME TC6-XX-PFH TERMINAL BLOCK COVER			
0 PLC ± - 1 PLC ± - 2 PLC ± - 3 PLC ± .010 4 PLC ± - ANGLES ± -		PRODUCT SPEC -	SIZE A2	CAGE CODE 00779	DRAWING NO C-2-1437661-7	RESTRICTED TO -
MATERIAL - 1		FINISH -	WEIGHT -	SCALE 4:1	SHEET 1 of 1	REV D1
CUSTOMER DRAWING						

X-ON Electronics

Largest Supplier of Electrical and Electronic Components

Click to view similar products for [Barrier Terminal Blocks](#) category:

Click to view products by [TE Connectivity](#) manufacturer:

Other Similar products are found below :

[CTA-0103](#) [6PCR-02-008](#) [6PCR-05-008](#) [6PCR-08-008](#) [6PCR-21-006](#) [6PCV-06-008](#) [6PCV-10-009](#) [6PCV-15-008](#) [6STR-06-006](#) [6STR-08-006](#) [6STR-12-008](#) [6STR-14-008](#) [6STR-16-008](#) [6STR-17-008](#) [6STR-21-008](#) [6STR-25-008](#) [6STR-27-008](#) [6STV-03-006](#) [6STV-03-008](#) [6STV-04-006](#) [6STV-10-006](#) [6WWR-03](#) [6WWV-11-008](#) [6WWV-12-008](#) [6WWV-16-008](#) [7-1546701-0](#) [72212603](#) [72503-C](#) [73203](#) [76007](#) [7606-602LF](#) [77010-50](#) [796985-3](#) [796988-4](#) [7C1N08](#) [8-1437402-5](#) [8-1437402-7](#) [8-1546158-0](#) [870505](#) [870903](#) [8PCR-06-006](#) [8PCV-02-008](#) [8PCV-04-008](#) [8PCV-05-008](#) [8PCV-09-006](#) [8PCV-15-006](#) [8PCV-16-006](#) [8PCV-17-006](#) [8QCR-03-008](#) [8STV-04-006](#)