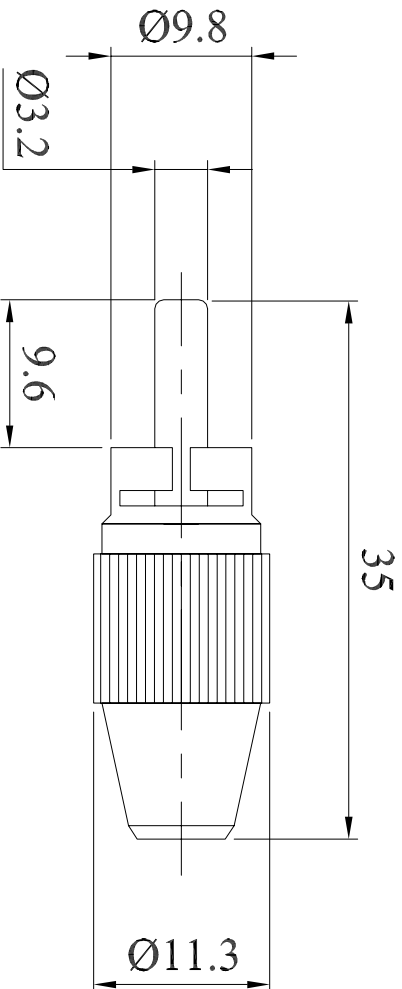


A range of plugs that are available in two pin styles; hollow or solid. The plug incorporates a unique 'T' slot design which allows the interconnection between non-standard sockets. A rigid acetal cap is offered in two colours, red or black.

- Ground contact with unique 'T' shape slots for maximum contact area.
- Internal cable clamp for secure cable connection.
- Maximum cable size 4.1mm.
- Two colours available, black or red.

Dimensions



- Material :Brass,
- Centre contact Silver plated
- Ground contact :Brass,
- Insulation Nickel plated
- Cable clamp :Noryl, SE1 UL94 V-1
- Spring :Brass,
- Body Silver plated
- Cap :Brass,
- Nickel plated
- Nickel plated
- Acetal, UL 94 HB
- Ratings :5 Amps at 200 Vdc
- 150 Vac max.
- Insulation resistance :100M Ω at 500 Vdc

Delttron Part No	
413-000	414-0000
415-0000	416-0000

HOLLOW PIN	BLACK	RED
NICKEL	413-0100	413-0500
GOLD	414-0100	414-0500
SOLID PIN	BLACK	RED
NICKEL	415-0100	415-0500
GOLD	416-0100	416-0500

CONVERTED FROM PS0466 ISS4 (01.07.94) IN JAN 2003

Drgn No 413-414-415-416

TITLE STANDARD PHONO PLUG WITH INSULATED HOUSING

ALL DIMENSIONS IN MM  
ANGLES IN DECIMAL DEGREES



**DELTRON Components**

ES 4

GENERAL SPECIFICATION  
FOR 413-414-415-416

CUSTOMER

FILTER REF

Aprvd Date 03/02/03

Aprvd By MC

Drwn by BS

Scale: NTS

Sheet 1 / 1

## X-ON Electronics

Largest Supplier of Electrical and Electronic Components

*Click to view similar products for [RF Connectors / Coaxial Connectors](#) category:*

*Click to view products by [Deltron](#) manufacturer:*

Other Similar products are found below :

[R125315120](#) [8915-1511-000](#) [89674-0827](#) [5916-1103-603](#) [0106-001-000](#) [6-0001-3](#) [6001-7071-019](#) [6002-7051-003](#) [6002-7551-202](#) [6059674-1](#) [619550-1](#) [630059-000](#) [M39012/25-0021](#) [M39012/79-3008](#) [M39030/3-01N](#) [M39030/3-03N](#) [M3933/25-36N](#) [6500-7071-046](#) [6501-1071-002](#) [M83723/72W2457N](#) [6769](#) [CX050L2AQ](#) [7002-1541-010](#) [7002-1572-002](#) [7003-1572-002](#) [7004-1512-000](#) [7009-1511-004](#) [7010-1511-000](#) [7029-1511-060](#) [7101-1541-010](#) [7101-1571-002](#) [7105-1521-002](#) [7145-1521-002](#) [7209-1511-011](#) [7210-1511-012](#) [7210-1511-015](#) [7210-1511-019](#) [7210-1511-040](#) [7225-1512-050](#) [7242-1511-000](#) [73137-5015](#) [73251-0111](#) [73251-0672](#) [73276-1501](#) [73366-0013](#) [73404-2300](#) [73413-6080](#) [734151610](#) [73415-5721](#) [7405-1521-005](#)