



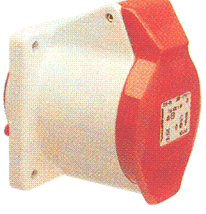
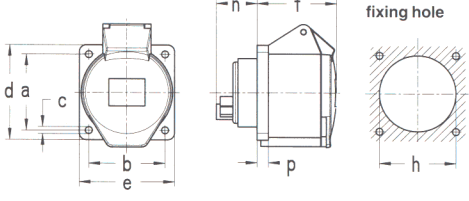

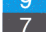







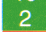




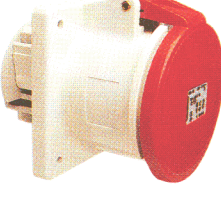
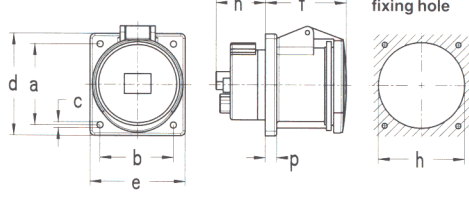

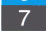
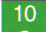





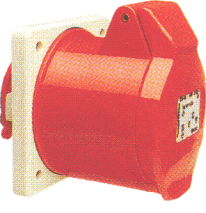
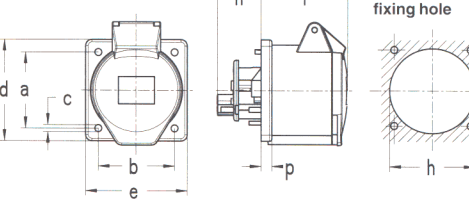


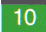





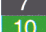
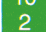




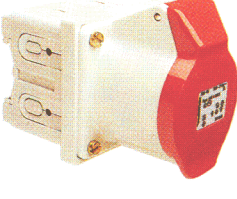
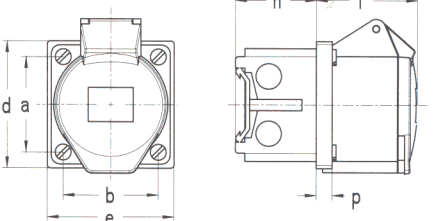




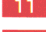



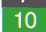








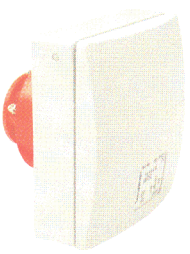
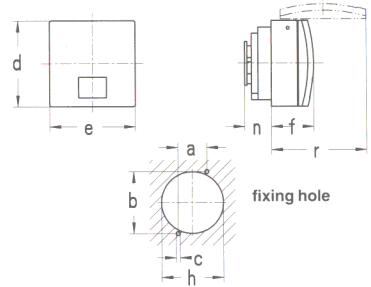

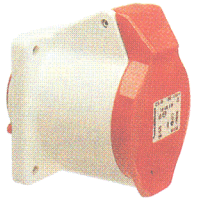
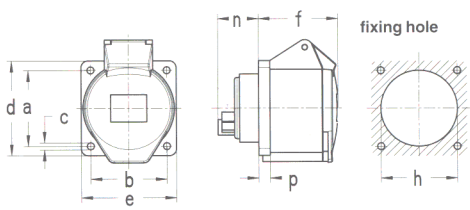

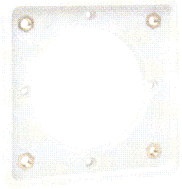
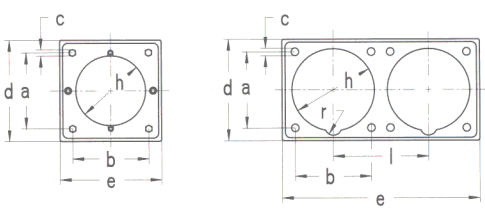

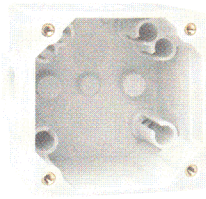
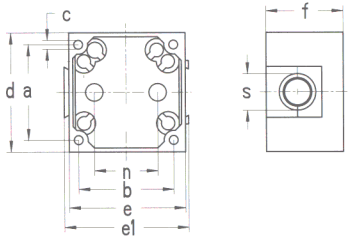


Amp	Volt	Hz	IP Ident. colour + h	Part No.	Panel sockets straight	3 P +  IEC/EN 60 309	  9	EAN No. 4015609...																														
					flange dimension 75 x 75, fingerproof according to VBG 4																																	
16	400	50/60		410 406			10	018512																														
	110	50/60		410 404																																		
	230	50/60		410 409																																		
	500	50/60		410 407																																		
	>50	100/300		410 410																																		
	>50	300/500		410 402																																		
	440	60		410 411																																		
	400	50/60		430 406																																		
	110	50/60		430 404																																		
	230	50/60		430 409																																		
32	500	50/60		430 407																																		
	>50	100/300		430 410																																		
	>50	300/500		430 402																																		
	440	60		430 411																																		
						fixing dimension = a + b, flange dim. = d + e																																
						<table border="1"> <thead> <tr> <th>Ampère</th> <th>a</th> <th>b</th> <th>c</th> <th>d</th> <th>e</th> <th>f</th> <th>h</th> <th>n</th> <th>p</th> </tr> </thead> <tbody> <tr> <td>16 A</td> <td>60</td> <td>60</td> <td>5,5</td> <td>75</td> <td>75</td> <td>53</td> <td>60</td> <td>28</td> <td>9</td> </tr> <tr> <td>32 A</td> <td>60</td> <td>60</td> <td>5,5</td> <td>75</td> <td>75</td> <td>65</td> <td>60</td> <td>27</td> <td>9</td> </tr> </tbody> </table>	Ampère	a	b	c	d	e	f	h	n	p	16 A	60	60	5,5	75	75	53	60	28	9	32 A	60	60	5,5	75	75	65	60	27	9		
Ampère	a	b	c	d	e	f	h	n	p																													
16 A	60	60	5,5	75	75	53	60	28	9																													
32 A	60	60	5,5	75	75	65	60	27	9																													
					flange dimension 107 x 100, fingerproof according to VBG 4																																	
63	400	50/60		460 406			5	020331																														
	110	50/60		460 404																																		
	230	50/60		460 409																																		
	500	50/60		460 407																																		
	>50	100/300		460 410																																		
	>50	300/500		460 402																																		
	440	60		460 411																																		
									fixing dimension = a + b, flange dim. = d + e																													
					<table border="1"> <thead> <tr> <th>Ampère</th> <th>a</th> <th>b</th> <th>c</th> <th>d</th> <th>e</th> <th>f</th> <th>h</th> <th>n</th> <th>p</th> </tr> </thead> <tbody> <tr> <td>63 A</td> <td>85</td> <td>77</td> <td>6,5</td> <td>107</td> <td>100</td> <td>85</td> <td>90</td> <td>52</td> <td>12</td> </tr> </tbody> </table>	Ampère	a	b	c	d	e	f	h	n	p	63 A	85	77	6,5	107	100	85	90	52	12													
Ampère	a	b	c	d	e	f	h	n	p																													
63 A	85	77	6,5	107	100	85	90	52	12																													
125	see page 2/87			IP67																																		
					flange dimension 80 x 80, fingerproof according to VBG 4																																	
16	400	50/60		411 406			10	018772																														
	110	50/60		411 404																																		
	230	50/60		411 409																																		
	500	50/60		411 407																																		
	>50	100/300		411 410																																		
	>50	300/500		411 402																																		
	440	60		411 411																																		
32	400	50/60		431 406																																		
	110	50/60		431 404																																		
	230	50/60		431 409																																		
	500	50/60		431 407																																		
	>50	100/300		431 410																																		
	>50	300/500		431 402																																		
440	60		431 411																																			
					fixing dimension = a + b, flange dim. = d + e																																	
					<table border="1"> <thead> <tr> <th>Ampère</th> <th>a</th> <th>b</th> <th>c</th> <th>d</th> <th>e</th> <th>f</th> <th>h</th> <th>n</th> <th>p</th> </tr> </thead> <tbody> <tr> <td>16 A</td> <td>60</td> <td>60</td> <td>5,5</td> <td>80</td> <td>80</td> <td>60</td> <td>67</td> <td>32</td> <td>8,5</td> </tr> <tr> <td>32 A</td> <td>60</td> <td>60</td> <td>5,5</td> <td>80</td> <td>80</td> <td>60</td> <td>71</td> <td>32</td> <td>8,5</td> </tr> </tbody> </table>	Ampère	a	b	c	d	e	f	h	n	p	16 A	60	60	5,5	80	80	60	67	32	8,5	32 A	60	60	5,5	80	80	60	71	32	8,5			
Ampère	a	b	c	d	e	f	h	n	p																													
16 A	60	60	5,5	80	80	60	67	32	8,5																													
32 A	60	60	5,5	80	80	60	71	32	8,5																													
					installation in switch cabinet, junction box mountable on DIN-rail, seizes 4,5 modul spaces																																	
16	400	50/60		410 406VS			10	160792																														
	110	50/60		410 404VS																																		
	230	50/60		410 409VS																																		
	500	50/60		410 407VS																																		
	>50	100/300		410 410VS																																		
	>50	300/500		410 402VS																																		
	440	60		410 411VS																																		
32	400	50/60		430 406VS																																		
	110	50/60		430 404VS																																		
	230	50/60		430 409VS																																		
	500	50/60		430 407VS																																		
	>50	100/300		430 410VS																																		
	>50	300/500		430 402VS																																		
440	60		430 411VS																																			
					fixing dimension = a + b, flange dim. = d + e																																	
					<table border="1"> <thead> <tr> <th>Ampère</th> <th>a</th> <th>b</th> <th>d</th> <th>e</th> <th>f</th> <th>n</th> <th>p</th> </tr> </thead> <tbody> <tr> <td>16 A</td> <td>60</td> <td>60</td> <td>80</td> <td>80</td> <td>59</td> <td>52</td> <td>10</td> </tr> <tr> <td>32 A</td> <td>60</td> <td>60</td> <td>80</td> <td>80</td> <td>69</td> <td>52</td> <td>10</td> </tr> </tbody> </table>	Ampère	a	b	d	e	f	n	p	16 A	60	60	80	80	59	52	10	32 A	60	60	80	80	69	52	10									
Ampère	a	b	d	e	f	n	p																															
16 A	60	60	80	80	59	52	10																															
32 A	60	60	80	80	69	52	10																															

Amp	Volt	Hz	IP Ident. colour + h	Part No.	Panel sockets for installation channel, junction boxes	3 P +  IEC/EN 60 309	 	EAN No. 4015609...																													
			 IP44		mondo RAL 7035 light grey, fixing dimension at the channel socket: 67																																
16	400	50/60	6	415 406	  <p>fixing dimension = a + b, flange dim. = d + e</p> <table border="1"> <thead> <tr> <th>Ampère</th> <th>a</th> <th>b</th> <th>c</th> <th>d</th> <th>e</th> <th>f</th> <th>h</th> <th>n</th> <th>r</th> </tr> </thead> <tbody> <tr> <td>16 A</td> <td>30,4</td> <td>65,2</td> <td>4,1</td> <td>90</td> <td>90</td> <td>38</td> <td>65</td> <td>36</td> <td>96</td> </tr> </tbody> </table>	Ampère	a	b	c	d	e	f	h	n	r	16 A	30,4	65,2	4,1	90	90	38	65	36	96	10 214	018956										
Ampère	a	b	c	d		e	f	h	n	r																											
16 A	30,4	65,2	4,1	90		90	38	65	36	96																											
400	50/60	6	415 406RW	RW = clear white, RAL 9010	172627																																
400	50/60	6	415 406PW	PW = pearl white, RAL 1013	172634																																
			 IP44		panel sockets , straight, fixing dimension at the channel socket: 60 x 60																																
16	400	50/60	6	410 406	  <p>fixing dimension = a + b, flange dim. = d + e</p> <table border="1"> <thead> <tr> <th>Ampère</th> <th>a</th> <th>b</th> <th>c</th> <th>d</th> <th>e</th> <th>f</th> <th>h</th> <th>n</th> <th>p</th> </tr> </thead> <tbody> <tr> <td>16 A</td> <td>60</td> <td>60</td> <td>5,5</td> <td>75</td> <td>75</td> <td>53</td> <td>60</td> <td>28</td> <td>9</td> </tr> <tr> <td>32 A</td> <td>60</td> <td>60</td> <td>5,5</td> <td>75</td> <td>75</td> <td>65</td> <td>60</td> <td>27</td> <td>9</td> </tr> </tbody> </table>	Ampère	a	b	c	d	e	f	h	n	p	16 A	60	60	5,5	75	75	53	60	28	9	32 A	60	60	5,5	75	75	65	60	27	9	10 160	018512
Ampère	a	b	c	d		e	f	h	n	p																											
16 A	60	60	5,5	75		75	53	60	28	9																											
32 A	60	60	5,5	75	75	65	60	27	9																												
32	400	50/60	6	430 406	1019663																																
			 IP44		adapter flanges for panel sockets with flange dimension 75 x 75 and fixing dimension 60 x 60																																
1 part				10 021	  <table border="1"> <thead> <tr> <th></th> <th>a</th> <th>b</th> <th>c</th> <th>d</th> <th>e</th> <th>h</th> <th>l</th> <th>r</th> </tr> </thead> <tbody> <tr> <td>10 021</td> <td>60</td> <td>60</td> <td>M 5</td> <td>80</td> <td>80</td> <td>55</td> <td>/</td> <td>/</td> </tr> <tr> <td>10 022</td> <td>60</td> <td>60</td> <td>6</td> <td>80</td> <td>156</td> <td>65</td> <td>75</td> <td>6,5</td> </tr> </tbody> </table>		a	b	c	d	e	h	l	r	10 021	60	60	M 5	80	80	55	/	/	10 022	60	60	6	80	156	65	75	6,5	20 30	003587			
	a	b	c	d		e	h	l	r																												
10 021	60	60	M 5	80		80	55	/	/																												
10 022	60	60	6	80	156	65	75	6,5																													
2 part				10 022 ¹⁾	1019663																																
				1) center to center distance 75 mm																																	
			 IP44		junction boxes for panel sockets with flange dimension 75 x 75 and fixing dimension 60 x 60																																
without terminal block				10 010	  <table border="1"> <thead> <tr> <th></th> <th>a</th> <th>b</th> <th>c</th> <th>d</th> <th>e</th> <th>e1</th> <th>f</th> <th>n</th> <th>s</th> </tr> </thead> <tbody> <tr> <td></td> <td>60</td> <td>60</td> <td>M 4</td> <td>76</td> <td>76</td> <td>78</td> <td>49</td> <td>40</td> <td>23</td> </tr> </tbody> </table>		a	b	c	d	e	e1	f	n	s		60	60	M 4	76	76	78	49	40	23	10 96	003525										
	a	b	c	d		e	e1	f	n	s																											
	60	60	M 4	76	76	78	49	40	23																												
with 5 terminal blocks				10 011	106	003532																															

X-ON Electronics

Largest Supplier of Electrical and Electronic Components

Click to view similar products for [walther](#) manufacturer:

Other Similar products are found below :

[339306](#) [269306](#) [239](#) [630406](#) [330](#) [10110](#) [269](#) [430304](#) [130406](#) [630306](#) [410](#) [319306](#) [10280](#) [630](#) [10380](#) [410306](#) [610304](#) [10400](#) [210304](#)
[310306](#) [410304](#) [210](#) [330304](#) [230304](#) [230306](#)