



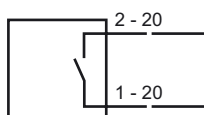
Model Number

40FR1-3

Features

- Magnetically actuated reed switch
- Hermetically sealed contacts
- AC/DC compatibility
- Matching permanent magnet

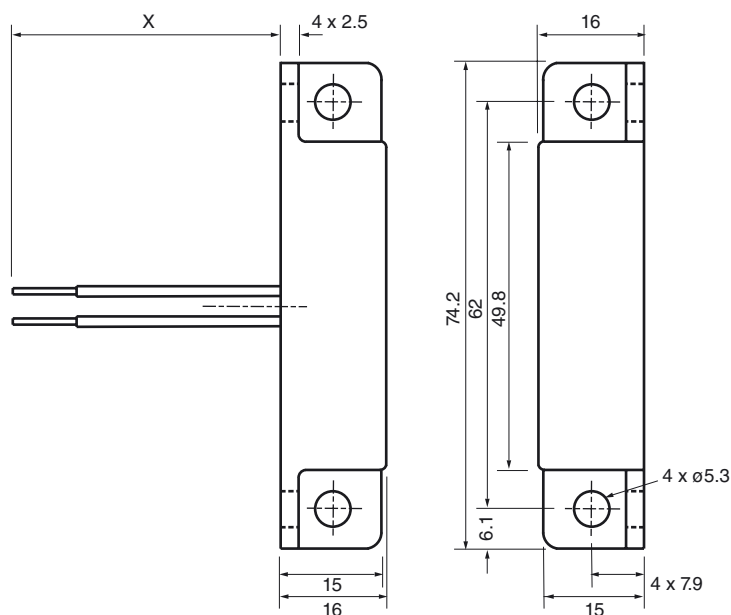
Connection



Accessories

41FR2
Magnetic actuator

Dimensions



Technical Data

General specifications

Switching element function	Reed Contact Normally Open
Rated operating distance	s_n 19.8 mm
Installation	not embeddable
Output polarity	AC/DC
Mechanical life	3×10^7 operations

Nominal ratings

Operating voltage	U_B	100 V DC, 250 mA 115 V AC, 250 mA
Hysteresis	H	≥ 2.54 mm
Contact resistance		0.15 Ω
Insulation resistance		≥ 100 M Ω at 200 V
Dielectric strength		200 V AC, 60 Hz
Release point		$\leq \leq 43$ mm

Electrical specifications

Electrical rating	AC supply: 10 VA, 132 V AC, 750 mA DC supply: 10 W, 100 V DC, 300 mA
-------------------	-------------------------------------------------------------------------

Ambient conditions

Ambient temperature	-40 ... 125 °C (-40 ... 257 °F)
---------------------	---------------------------------

Mechanical specifications

Connection type	cable PVDF, 914 mm according to Mil-W-81044/9
Core cross-section	0.5 mm ²
Housing material	Polycarbonate
Sensing face	Polycarbonate
Protection degree	IP68

X-ON Electronics

Largest Supplier of Electrical and Electronic Components

Click to view similar products for [pepperl & fuchs](#) manufacturer:

Other Similar products are found below :

[6GR6221-3AB00](#) [NBN4-12GM50-E3](#) [RL31-54/73C/136](#) [52FR1](#) [NBB5-18GM50-E2](#) [NBN4-12GM50-E2](#) [NBB-12GM40-E1](#) [UC2000-30GM-IUR2-V15](#) [3RG4038-3KB00](#) [3RG7134-3AA00](#) [RL31-8-1200-RT/73C/136](#) [UC-30GM-R2](#) [UC2000-30GM-E6R2-V15](#) [ML100-55/98/103](#) [M100/MV100-RT/35/76A/95/103](#) [3RG4013-0KB00](#) [3RG4148-3CD00](#) [3RG4023-3AG33](#) [INX360D-F99-I2E2-V15](#) [MD17/73](#) [MV17/73/136](#) [NBB8-18GM50-E2-V1](#) [ACX04-F99-I-V15](#) [NBB20-L2-E2-V1](#) [REF-C110-2](#) [REF-MH50](#) [UB400-F77-E2-V31](#) [50FY416](#) [NBN4-12GM40-Z0](#) [UB800-18GM40-I-V1](#) [3RG4013-3KB00](#) [3RG6233-3JS00](#) [ML100-55/95/103](#) [NJ2-PD-US-2.062-V93](#) [NBN8-12GM50-E2](#) [UB800-18GM40-E5-V1](#) [3RG4200-1AB00](#) [RT1 X 100](#) [3RG7120-3AA00](#) [NBB8-18GM60-A2-V1](#) [UB4000-F42-I-V15](#) [OB-150-F6-E5](#) [NBB4-12GM50-E2-V1](#) [41FR2](#) [NBB2-8GM40-E2-V1](#) [NBB20-L2-A2-V1](#) [6GR6231-3AB00](#) [6GR6222-3AB00](#) [NBB15+U1+E2](#) [V1-W-5M-PUR](#)