

PrevaLED Core Z3

Spot-, Down- and Wallmount Light Engines and Modules



Areas of application

- Spotlighting in shops
- Down- and wall lighting in offices, corridors, meeting rooms, workplaces
- Decorative and functional lighting in the hospitality industry

Product benefits

- Simpler cooling thanks to reduced thermal load
- LEDset II reduces luminaire design effort when combined with OTi DALI drivers
- High driver flexibility allows cost-effective and intelligent systems
- Automatic control of luminous flux and overtemperature protection with OTi DALI
- Simplified luminaire design due to common dimensions

Product features

- Spot module with standardized interfaces
- Versions with different luminous flux available: from 1,100 lm to 5,000 lm
- Available with color temperature: 2,700 K, 3,000 K, 3,500 K or 4,000 K
- Consistent white light: < 3 SDCM
- High module efficacy: up to 121 lm/W
- Max. temperature at t_c point (center point of PCB back side): 85 °C
- Connection via spring-type terminal
- Suitable for 0.5...0.75 mm²/AWG 19...21 wires, no special connector required
- Supports existing thermal management, optics and reflector solutions
- Available with 3 or 5 years system guarantee (with OPTOTRONIC control gear)



Technical data

Electrical data

Product description	Nominal voltage	Nominal current	Nominal wattage	Rated wattage
PL-CORE -1100-830-Z3	49.00 V	0.25 A	11.5 W	11.00 W
PL-CORE -1100-840-Z3	49.00 V	220.00 A	11.3 W	11.00 W
PL-CORE -2000-830-Z3	44.00 V	400.00 A	17.5 W	18.00 W
PL-CORE -2000-840-Z3	44.00 V	385.00 A	19.5 W	17.00 W
PL-CORE -2000-930-Z3	45.00 V	490.00 A	21.4 W	22.00 W
PL-CORE -3000-830-Z3	44.00 V	590.00 A	25.7 W	26.00 W
PL-CORE -3000-840-Z3	43.00 V	575.00 A	25.0 W	25.00 W
PL-CORE -3000-930-Z3	45.00 V	730.00 A	32.5 W	33.00 W
PL-CORE -5000-830-Z3	47.00 V	950.00 A	45.6 W	45.00 W
PL-CORE -5000-840-Z3	47.00 V	885.00 A	41.6 W	41.00 W
PL-CORE -5000-930-Z3	45.00 V	1155.00 A	51.6 W	52.00 W

Product description	Type of current	Power factor λ	Energy consumption
PL-CORE -1100-830-Z3	DC	1.00	13 kWh/1000h
PL-CORE -1100-840-Z3	DC	1.00	12 kWh/1000h
PL-CORE -2000-830-Z3	DC	1.00	20 kWh/1000h
PL-CORE -2000-840-Z3	DC	1.00	19 kWh/1000h
PL-CORE -2000-930-Z3	DC	1.00	25 kWh/1000h
PL-CORE -3000-830-Z3	DC	1.00	29 kWh/1000h
PL-CORE -3000-840-Z3	DC	1.00	28 kWh/1000h
PL-CORE -3000-930-Z3	DC	1.00	36 kWh/1000h
PL-CORE -5000-830-Z3	DC	1.00	50 kWh/1000h
PL-CORE -5000-840-Z3	DC	1.00	46 kWh/1000h
PL-CORE -5000-930-Z3	DC	1.00	57 kWh/1000h

Light technical data

Product description	Nominal beam angle	Rated beam angle	Color temperature	Light color LED
PL-CORE -1100-830-Z3	115.50 °	116.00 °	3000 K	white
PL-CORE -1100-840-Z3	115.50 °	116.00 °	4000 K	white
PL-CORE -2000-830-Z3	116.00 °	116.00 °	3000 K	white
PL-CORE -2000-840-Z3	117.00 °	116.00 °	4000 K	white
PL-CORE -2000-930-Z3	115.80 °	116.00 °	3000 K	white
PL-CORE -3000-830-Z3	116.00 °	115.50 °	3000 K	white

Product family datasheet

Product description	Nominal beam angle	Rated beam angle	Color temperature	Light color LED
PL-CORE -3000-840-Z3	116.80 °	116.00 °	4000 K	white
PL-CORE -3000-930-Z3	115.50 °	116.00 °	3000 K	white
PL-CORE -5000-830-Z3	115.20 °	116.00 °	3000 K	white
PL-CORE -5000-840-Z3	115.70 °	116.00 °	4000 K	white
PL-CORE -5000-930-Z3	114.50 °	116.00 °	3000 K	white

Product description	Total useful luminous flux	Nom. useful luminous flux 120°	Rated useful luminous flux 120°	Lumen main.fact.at end of nom.life time
PL-CORE -1100-830-Z3	1100 lm	913 lm	913 lm	0.70
PL-CORE -1100-840-Z3	1100 lm	913 lm	913 lm	0.70
PL-CORE -2000-830-Z3	2000 lm	1660 lm	1660 lm	0.70
PL-CORE -2000-840-Z3	2000 lm	1660 lm	1660 lm	0.70
PL-CORE -2000-930-Z3	2000 lm	1660 lm	1660 lm	0.70
PL-CORE -3000-830-Z3	3000 lm	2490 lm	2490 lm	0.70
PL-CORE -3000-840-Z3	3000 lm	2490 lm	2490 lm	0.70
PL-CORE -3000-930-Z3	3000 lm	2490 lm	2490 lm	0.70
PL-CORE -5000-830-Z3	5000 lm	4150 lm	4150 lm	0.70
PL-CORE -5000-840-Z3	5000 lm	4150 lm	4150 lm	0.70
PL-CORE -5000-930-Z3	5000 lm	4150 lm	4150 lm	0.70

Product description	Rated peak intensity	Luminous efficacy	Starting time	Warm-up time (60 %)
PL-CORE -1100-830-Z3	388 cd	96 lm/W	0.0 s	0.00 s
PL-CORE -1100-840-Z3	388 cd	103 lm/W	0.0 s	0.00 s
PL-CORE -2000-830-Z3	705 cd	113 lm/W	0.0 s	0.00 s
PL-CORE -2000-840-Z3	705 cd	119 lm/W	0.0 s	0.00 s
PL-CORE -2000-930-Z3	705 cd	89 lm/W	0.0 s	0.00 s
PL-CORE -3000-830-Z3	1050 cd	115 lm/W	0.0 s	0.00 s
PL-CORE -3000-840-Z3	1050 cd	120 lm/W	0.0 s	0.00 s
PL-CORE -3000-930-Z3	1050 cd	90 lm/W	0.0 s	0.00 s
PL-CORE -5000-830-Z3	1765 cd	111 lm/W	0.0 s	0.00 s
PL-CORE -5000-840-Z3	1765 cd	121 lm/W	0.0 s	0.00 s
PL-CORE -5000-930-Z3	1765 cd	97 lm/W	0.0 s	0.00 s

Product description	Standard deviation of color matching
PL-CORE -1100-830-Z3	≤3 sdcM
PL-CORE -1100-840-Z3	≤3 sdcM
PL-CORE -2000-830-Z3	≤3 sdcM
PL-CORE -2000-840-Z3	≤3 sdcM

Product family datasheet

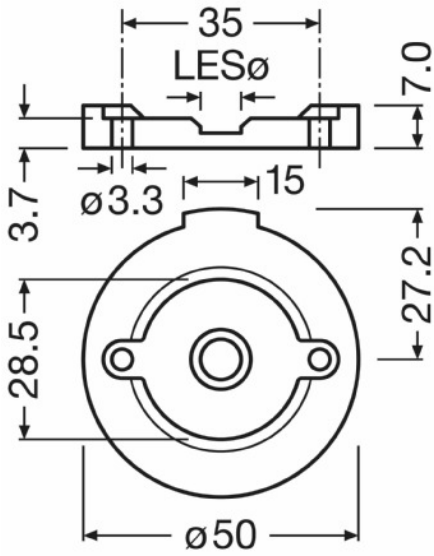
Product description	Standard deviation of color matching
PL-CORE -2000-930-Z3	≤3 sdc
PL-CORE -3000-830-Z3	≤3 sdc
PL-CORE -3000-840-Z3	≤3 sdc
PL-CORE -3000-930-Z3	≤3 sdc
PL-CORE -5000-830-Z3	≤3 sdc
PL-CORE -5000-840-Z3	≤3 sdc
PL-CORE -5000-930-Z3	≤3 sdc

Dimensions & weight

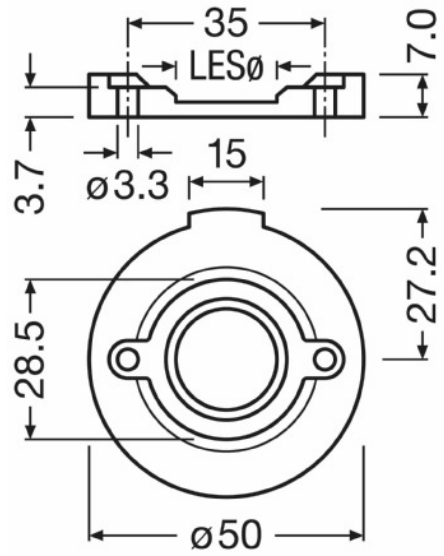
Product description	Diameter	Height	Rated height	Product weight
PL-CORE -1100-830-Z3	50.0 mm	7.0 mm	7.00 mm	30.00 g
PL-CORE -1100-840-Z3	50.0 mm	7.0 mm	7.00 mm	30.00 g
PL-CORE -2000-830-Z3	50.0 mm	7.0 mm	7.00 mm	30.00 g
PL-CORE -2000-840-Z3	50.0 mm	7.0 mm	7.00 mm	30.00 g
PL-CORE -2000-930-Z3	50.0 mm	7.0 mm	7.00 mm	30.00 g
PL-CORE -3000-830-Z3	50.0 mm	7.0 mm	7.00 mm	30.00 g
PL-CORE -3000-840-Z3	50.0 mm	7.0 mm	7.00 mm	30.00 g
PL-CORE -3000-930-Z3	50.0 mm	7.0 mm	7.00 mm	30.00 g
PL-CORE -5000-830-Z3	50.0 mm	7.0 mm	7.00 mm	30.00 g
PL-CORE -5000-840-Z3	50.0 mm	7.0 mm	7.00 mm	30.00 g
PL-CORE -5000-930-Z3	50.0 mm	7.0 mm	7.00 mm	30.00 g

Produkt Strichzeichnungen (vermasst)

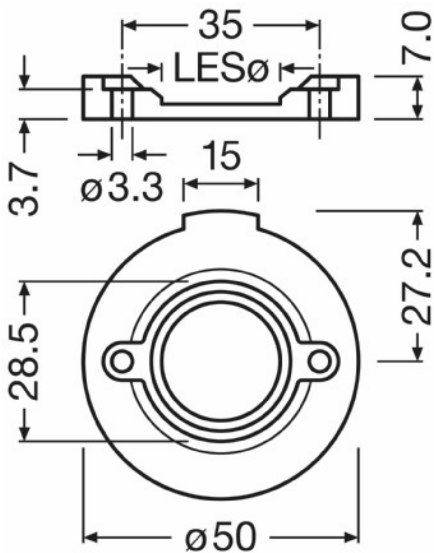
Product family datasheet



Product line drawing
PL-CORE -1100-830-Z3 | PL-CORE -1100-840-Z3



Product line drawing
PL-CORE -2000-830-Z3 | PL-CORE -2000-840-Z3 | PL-CORE -2000-930-Z3 | PL-CORE -3000-830-Z3 | PL-CORE -3000-840-Z3 | PL-CORE -3000-930-Z3



Product line drawing
PL-CORE -5000-830-Z3 | PL-CORE -5000-840-Z3 | PL-CORE -5000-930-Z3

Product family datasheet

Temperatures

Product description	Maximum temperature at tc test point	Ambient temperature range
PL-CORE -1100-830-Z3	85 °C	0...+50 °C
PL-CORE -1100-840-Z3	85 °C	0...+50 °C
PL-CORE -2000-830-Z3	85 °C	0...+50 °C
PL-CORE -2000-840-Z3	85 °C	0...+50 °C
PL-CORE -2000-930-Z3	85 °C	0...+50 °C
PL-CORE -3000-830-Z3	85 °C	0...+50 °C
PL-CORE -3000-840-Z3	85 °C	0...+50 °C
PL-CORE -3000-930-Z3	85 °C	0...+50 °C
PL-CORE -5000-830-Z3	85 °C	0...+50 °C
PL-CORE -5000-840-Z3	85 °C	0...+50 °C
PL-CORE -5000-930-Z3	85 °C	0...+50 °C

Lifespan

Product description	Lifespan	Nominal lamp life time	Rated lamp life time	Number of switching cycles
PL-CORE -1100-830-Z3	50000 h ¹⁾	50000 h	50000 h	15000
PL-CORE -1100-840-Z3	50000 h ¹⁾	50000 h	50000 h	15000
PL-CORE -2000-830-Z3	50000 h ¹⁾	50000 h	50000 h	15000
PL-CORE -2000-840-Z3	50000 h ¹⁾	50000 h	50000 h	15000
PL-CORE -2000-930-Z3	50000 h ¹⁾	50000 h	50000 h	15000
PL-CORE -3000-830-Z3	50000 h ¹⁾	50000 h	50000 h	15000
PL-CORE -3000-840-Z3	50000 h ¹⁾	50000 h	50000 h	15000
PL-CORE -3000-930-Z3	50000 h ¹⁾	50000 h	50000 h	15000
PL-CORE -5000-830-Z3	50000 h ¹⁾	50000 h	50000 h	15000
PL-CORE -5000-840-Z3	50000 h ¹⁾	50000 h	50000 h	15000
PL-CORE -5000-930-Z3	50000 h ¹⁾	50000 h	50000 h	15000

¹⁾ L70/B50 at Tc 65 °C

Capabilities

Product description	Dimmable
PL-CORE -1100-830-Z3	Yes
PL-CORE -1100-840-Z3	Yes
PL-CORE -2000-830-Z3	Yes

Product family datasheet

Product description	Dimmable
PL-CORE -2000-840-Z3	Yes
PL-CORE -2000-930-Z3	Yes
PL-CORE -3000-830-Z3	Yes
PL-CORE -3000-840-Z3	Yes
PL-CORE -3000-930-Z3	Yes
PL-CORE -5000-830-Z3	Yes
PL-CORE -5000-840-Z3	Yes
PL-CORE -5000-930-Z3	Yes

Certificates & standards

Product description	Energy efficiency class	Standards
PL-CORE -1100-830-Z3	A+	acc. to EN 62031/acc. to EN 62471/acc. to EN 61547/IEC 61547/acc. to IEC 62031/acc. to IEC 62471/acc. to 2009/125/EC (ErP)
PL-CORE -1100-840-Z3	A+	acc. to EN 62031/acc. to EN 62471/acc. to EN 61547/IEC 61547/acc. to IEC 62031/acc. to IEC 62471/acc. to 2009/125/EC (ErP)
PL-CORE -2000-830-Z3	A+	acc. to EN 62031/acc. to EN 62471/acc. to EN 61547/IEC 61547/acc. to IEC 62031/acc. to IEC 62471/acc. to 2009/125/EC (ErP)
PL-CORE -2000-840-Z3	A+	acc. to EN 62031/acc. to EN 62471/acc. to EN 61547/IEC 61547/acc. to IEC 62031/acc. to IEC 62471/acc. to 2009/125/EC (ErP)
PL-CORE -2000-930-Z3	A	acc. to EN 62031/acc. to EN 62471/acc. to EN 61547/IEC 61547/acc. to IEC 62031/acc. to IEC 62471/acc. to 2009/125/EC (ErP)
PL-CORE -3000-830-Z3	A+	acc. to EN 62031/acc. to EN 62471/acc. to EN 61547/IEC 61547/acc. to IEC 62031/acc. to IEC 62471/acc. to 2009/125/EC (ErP)

Product family datasheet

Product description	Energy efficiency class	Standards
PL-CORE -3000-840-Z3	A+	acc. to EN 62031/acc. to EN 62471/acc. to EN 61547/IEC 61547/acc. to IEC 62031/acc. to IEC 62471/acc. to 2009/125/EC (ErP)
PL-CORE -3000-930-Z3	A	acc. to EN 62031/acc. to EN 62471/acc. to EN 61547/IEC 61547/acc. to IEC 62031/acc. to IEC 62471/acc. to 2009/125/EC (ErP)
PL-CORE -5000-830-Z3	A+	acc. to EN 62031/acc. to EN 62471/acc. to EN 61547/IEC 61547/acc. to IEC 62031/acc. to IEC 62471/acc. to 2009/125/EC (ErP)
PL-CORE -5000-840-Z3	A+	acc. to EN 62031/acc. to EN 62471/acc. to EN 61547/IEC 61547/acc. to IEC 62031/acc. to IEC 62471/acc. to 2009/125/EC (ErP)
PL-CORE -5000-930-Z3	A	acc. to EN 62031/acc. to EN 62471/acc. to EN 61547/IEC 61547/acc. to IEC 62031/acc. to IEC 62471/acc. to 2009/125/EC (ErP)

Country specific categorizations

Product description
PL-CORE -1100-830-Z3
PL-CORE -1100-840-Z3
PL-CORE -2000-830-Z3
PL-CORE -2000-840-Z3
PL-CORE -2000-930-Z3
PL-CORE -3000-830-Z3
PL-CORE -3000-840-Z3
PL-CORE -3000-930-Z3
PL-CORE -5000-830-Z3
PL-CORE -5000-840-Z3
PL-CORE -5000-930-Z3

Product family datasheet

Equipment / Accessories

- System matches to OPTOTRONIC OTe, OT FIT, OTi DALI control gears
















Application advice

For more detailed application information and graphics please see product datasheet.

Sales and Technical Support

Sales and Technical Support www.osram.com

Download Data

File	
	Product Family Datasheet Core Z3 prelim technical information
	Declarations of conformity Declaration of Conformity PL-CORE-Z3
	CAD data PL-Core-1100-8XX-Z3-CAD.STEP
	CAD data PL-Core-1100-Z3-SiSp-LES9-Application-IGS
	CAD data PDF PL-Core-1100-Z3-LE-SiSp-LES9-Application-3D-PDF
	Eulumdat PL-Core-1100-8XX-Z3 - LDT
	CAD data PL-Core-2000-3000-XXX-Z3-CAD.STEP
	CAD data PL-Core-2000+3000-Z3-SiSp-LES19-Application-IGS
	CAD data PDF PL-Core-2000+3000-Z3-SiSp-LES19-Application-3D-PDF
	Eulumdat PL-Core-2000-XXX-Z3 - LDT
	Eulumdat PL-Core-3000-XXX-Z3 - LDT
	CAD data PL-Core-5000-XXX-Z3-CAD.STEP
	CAD data PL-Core-5000-Z3-SiSp-LES23-Application-IGS
	CAD data PDF PL-Core-5000-Z3-SiSp-LES23-Application-3D-PDF
	Eulumdat PL-Core-5000-XXX-Z3 - LDT

Product family datasheet

Logistical Data

Product code	Product description	Packaging unit (Pieces/Unit)	Dimensions (height x width x length)	Volume	Gross weight
4052899910805	PL-CORE -1100-830-Z3	Shipping carton box 20	- x - x -		
4052899910812	PL-CORE -1100-840-Z3	Shipping carton box 20	- x - x -		
4052899910829	PL-CORE -2000-830-Z3	Shipping carton box 20	- x - x -		
4052899910843	PL-CORE -2000-840-Z3	Shipping carton box 20	- x - x -		
4052899910836	PL-CORE -2000-930-Z3	Shipping carton box 20	- x - x -		
4052899910850	PL-CORE -3000-830-Z3	Shipping carton box 20	- x - x -		
4052899910874	PL-CORE -3000-840-Z3	Shipping carton box 20	- x - x -		
4052899910867	PL-CORE -3000-930-Z3	Shipping carton box 20	- x - x -		
4052899910881	PL-CORE -5000-830-Z3	Shipping carton box 20	- x - x -		
4052899910904	PL-CORE -5000-840-Z3	Shipping carton box 20	- x - x -		
4052899910898	PL-CORE -5000-930-Z3	Shipping carton box 20	- x - x -		

The mentioned product code describes the smallest quantity unit which can be ordered. One shipping unit can contain one or more single products. When placing an order, for the quantity please enter single or multiples of a shipping unit.

Disclaimer

Subject to change without notice. Errors and omission excepted. Always make sure to use the most recent release.

X-ON Electronics

Largest Supplier of Electrical and Electronic Components

Click to view similar products for [osram](#) manufacturer:

Other Similar products are found below :

[LO L296-Q2S1-24-Z](#) [IPD2131-27](#) [GW PSLPS1.EC-KSKU-5R8T-1](#) [418962A](#) [LCW JNSH.PC-CPCR-5H7I-1](#) [LE RTDUW S2W](#) [LT A67C-S2U1-35](#) [BPW 34 FASR](#) [BPW 34 FSR](#) [BPW 34 SR](#) [LT A67C-T2V1-35](#) [GY CSHPM1.23-KQKS-36-0](#) [KW H5L531.TE-Z7R7-EBVFFCBB46-RS5R](#) [4058075097421](#) [79675](#) [79632](#) [OT 40/220-240/24 DIM P](#) [OT 60/220-240/24 DIM P](#) [OT 100/220-240/24 DIM P](#) [OT FIT 45/220-240/200 D L](#) [KW2 HIL532.TK-D2D9-4L07M0-SC6B](#) [LW TWTG.BB-BXCX-2B2C-1](#) [LA E6SF-BBCB-24-1-Z](#) [HDSP2112S](#) [LY E6SF-AABA-46-1-Z](#) [64760](#) [SFH 4715A-CBDA](#) [4058075097360](#) [4058075097544](#) [47659](#) [OT 6/200-240/24 CE](#) [OT FIT 35/220-240/350 D CS](#) [L](#) [OT FIT 8/220-240/180 CS S MINI](#) [64150ULT](#) [79366](#) [4052899917583](#) [4058075819658](#) [GW CSSRM2.PM-N3N5-XX51-1](#) [ELEMENT 90/220-240/24](#) [OT 40/220-240/24 P](#) [OT 60/220-240/24 P](#) [ELEMENT 6/220-240/150 S](#) [64210CBI](#) [LY E67F-ABBB-46-1-Z](#) [LS T670-J1K2-1-Z](#) [LO L29K-H2L1-24-Z](#) [LY E67B-T2V1-26-1-Z](#) [SFH 309 FA-5/6](#) [LE B Q8WP-8A7B-24](#) [51600](#)