

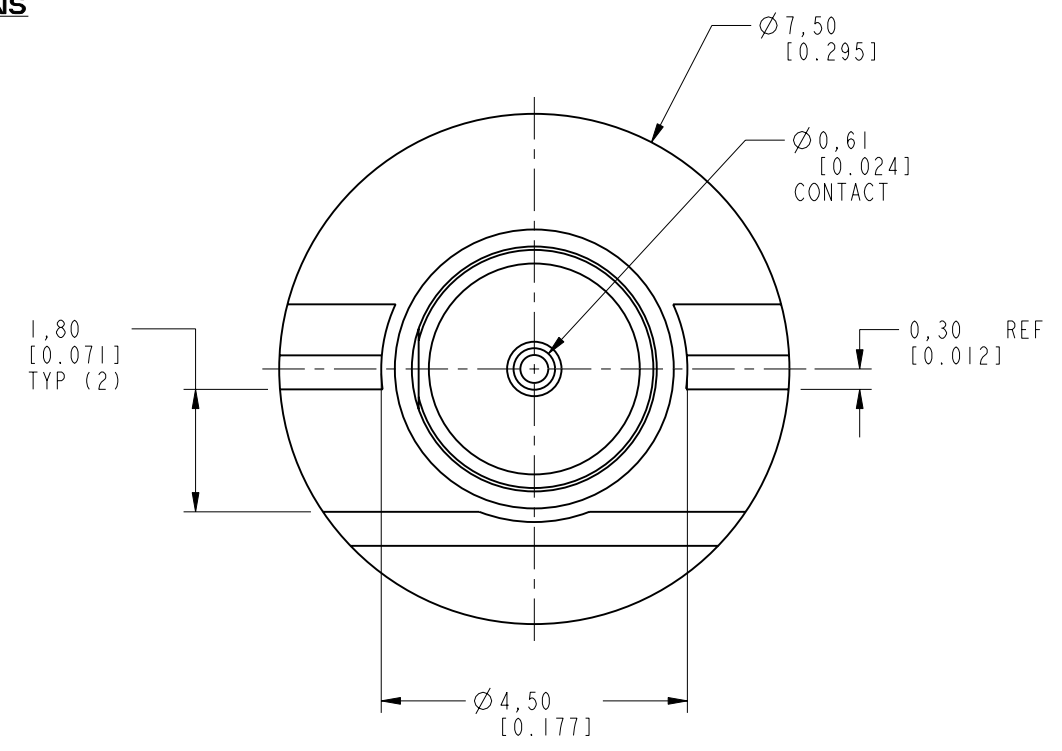
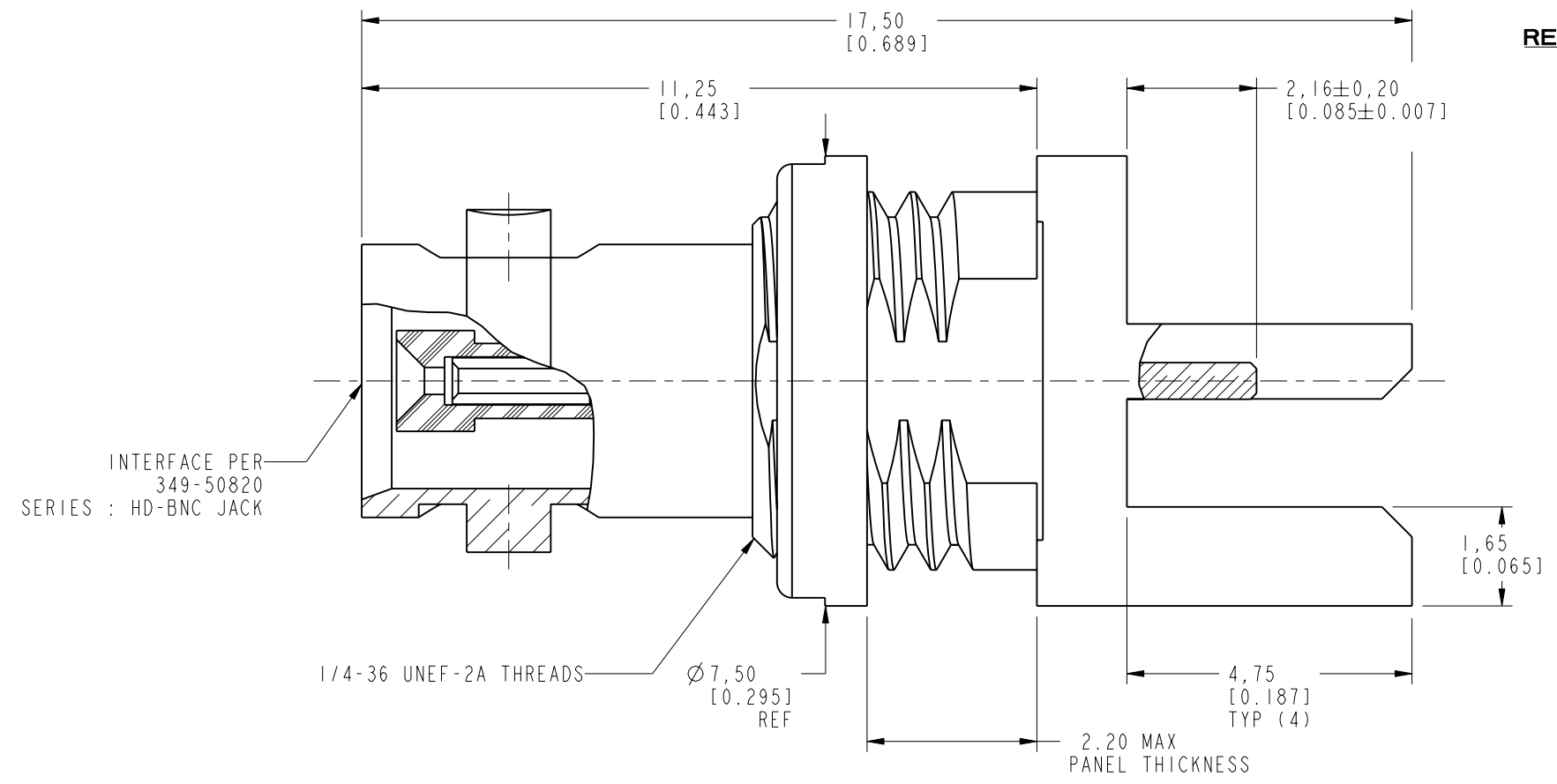
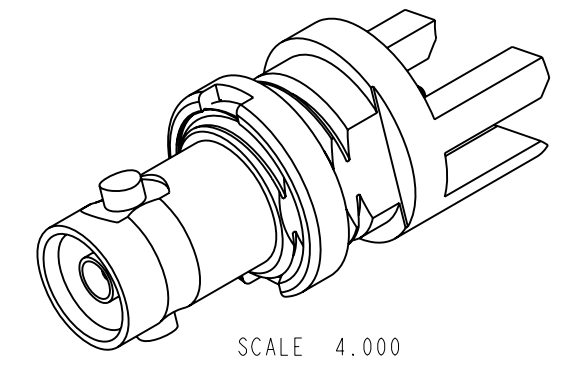
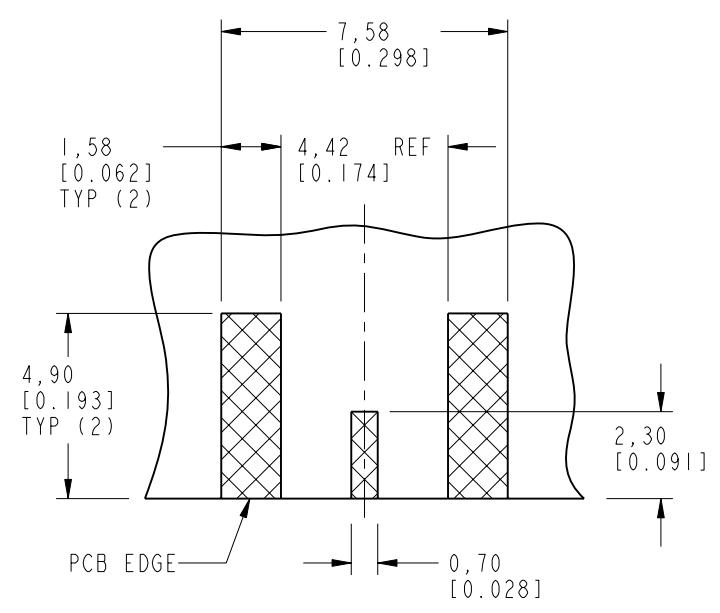
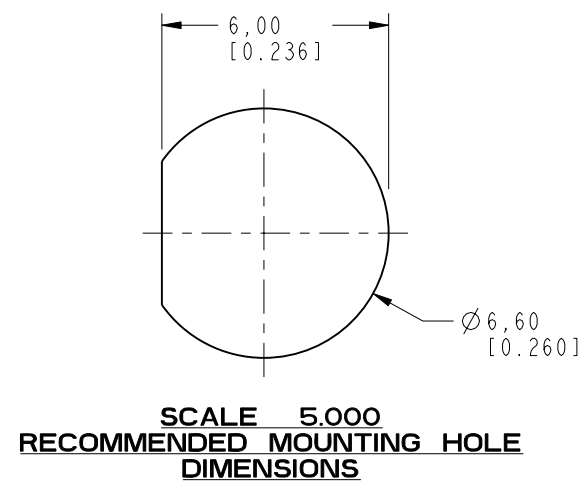
NOTES:

1. MATERIALS AND FINISHES:
 BODY - BRASS, GOLD PLATING
 CONTACT - BeCu, GOLD PLATING
 INSULATOR - PTFE
2. ELECTRICAL:
 A. IMPEDANCE: 75 OHMS
 B. FREQUENCY RANGE: DC - 4 GHz
 C. RETURN LOSS : 30 dB @ 3 GHz
 D. DIELECTRIC WITHSTANDING VOLTAGE: 1000 VRMS, MIN.
 E. INSULATION RESISTANCE: 10,000 MEGOHMS MIN
3. MECHANICAL:
 A. DURABILITY: 500 CYCLES MIN.
4. ENVIRONMENTAL:
 A. THERMAL SHOCK PER MIL-STD-202 METHOD 107
 TEST CONDITION B (EXCEPT HIGH TEMP @200°C)
 B. VIBRATION: MIL-STD-202 METHOD 204 TEST CONDITION B
 C. SHOCK: MIL-STD-202 METHOD 213 TEST CONDITION B
 D. CORROSION: MIL-STD-202 METHOD 101
 TEST CONDITION B 5% SALT SOLUTION
5. AMPHENOL SPANNER WRENCH 227-1490 REQUIRED TO MOUNT CONNECTOR TO PANEL.
6. PACKAGING:
 A. QUANTITY: SINGLE PACK
 B. MARKING: BAG TO BE MARKED
 "AMPHENOLRF, 34-1018 AND DATE CODE"

THIRD ANGLE PROJ.

REVISIONS

REV	DESCRIPTION	DATE	ECO	APPR
A	RELEASED TO MFG.	--	48167	AAP
B	UNDERCUT REMOVED\RD-DM12071801R3	26-Jul-12	49164	SH



CUSTOMER OUTLINE DRAWING
 ALL OTHER SHEETS ARE FOR INTERNAL USE ONLY

UNLESS OTHERWISE SPECIFIED, DIMENSIONS ARE IN METRIC AND TOLERANCES ARE: <0.5mm ±0.05mm 0.5 - 6mm ±0.1mm 6 - 30mm ±0.2mm 30 - 120mm ±0.3mm ANGLES ±1°	MATERIAL	DRAWN	DATE	TITLE HD BNC BHD JACK EDGE MOUNT FOR 0.062" THICK BOARD	Amphenol RF Danbury CT USA, Tainan, Taiwan, Shenzhen, China www.amphenolrf.com
	SEE NOTES	S.L.I	12-Aug-10		
NOTICE - These drawings, specifications, or other data (1) are, and remain the property of Amphenol corp. (2) must be returned upon request; and (3) are confidential and not to be disclosed to any person other than those to whom they are given by Amphenol Corp. the furnishing of these drawings, specifications, or other data by Amphenol Corp., or to any other person to anyone for any purpose is not to be regarded by implication or otherwise in any manner licensing, granting rights to permitting such holder or any other person to manufacture, use or sell any product, process or design, patented or otherwise, that may in any way be related to or disclosed by said drawings, specifications, or other data.	REFERENCE	ENGINEER	DATE	SCALE: 9.0:1.0	DRAWING NO.34-1018 ITEM NO.34-1018 PART NO.34-1018
	EAR # 3896	PADMANABHAN E	27-Jan-10	SHEET 2 OF 5	
CONFIGURATION LEVEL:	APPROVED	DATE		DWG SIZE	REV
FINISH	S.HSIEH	16-Aug-10		B	B

THIRD ANGLE PROJ.

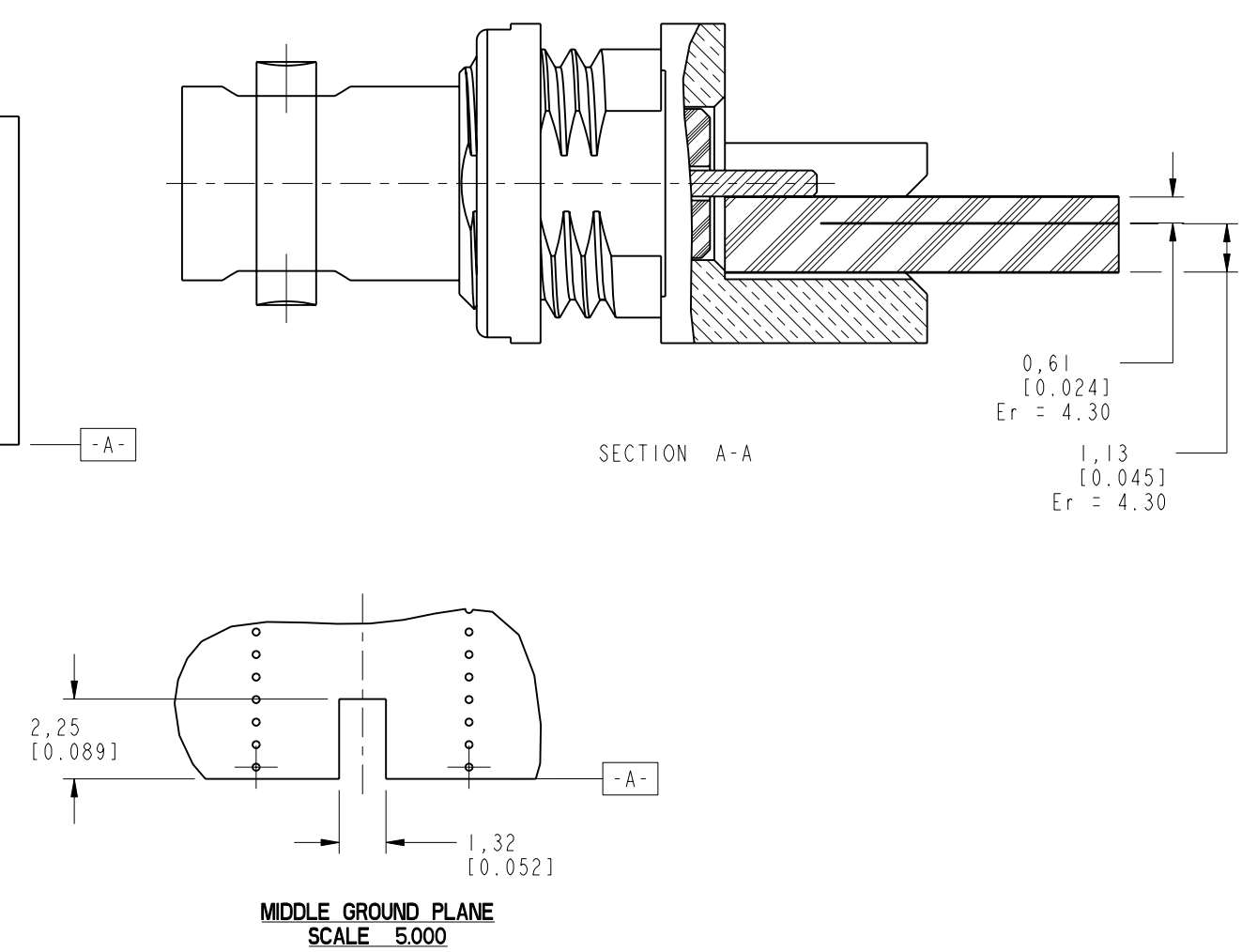
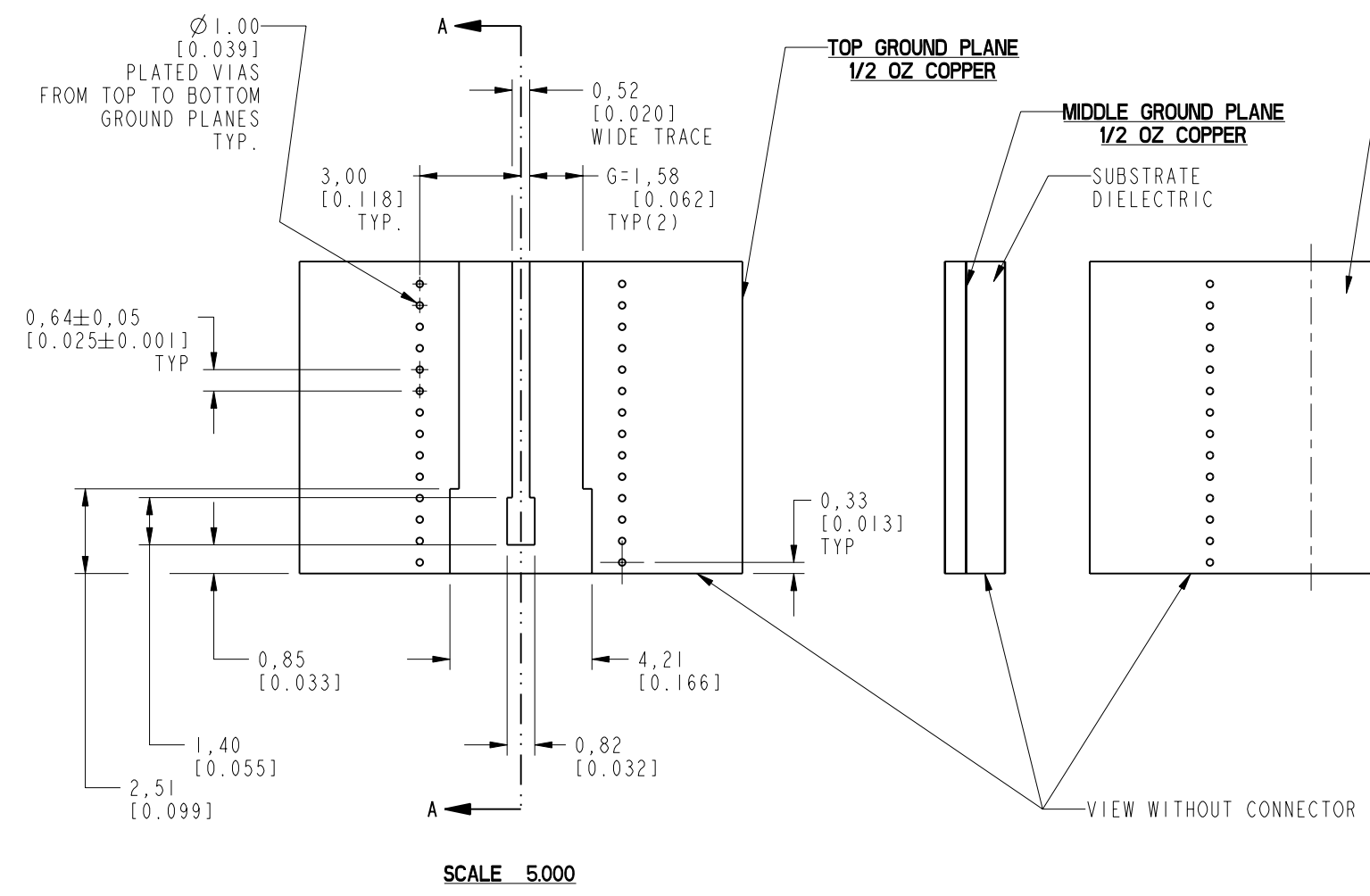
REVISIONS

CONFIGURATION - 0

REV	DESCRIPTION	DATE	ECO	APPR
A	RELEASED TO MFG.	--	48167	AAP
B	UNDERCUT REMOVED\RD-DMI2071801R3	26-Jul-12	49164	SH

RECOMMENDED PCB LAUNCH FOR OPTIMAL RF PERFORMANCE

VARIATIONS IN BOARD SUBSTRATE AND TRACE MAY REQUIRE DIFFERENT GEOMETRY



UNLESS OTHERWISE SPECIFIED, DIMENSIONS ARE IN METRIC AND TOLERANCES ARE:
 < 0.5mm ± 0.05mm 0.5 - 6mm ± 0.1mm 6 - 30mm ± 0.2mm 30 - 120mm ± 0.3mm ANGLES ± 1°

NOTICE - These drawings, specifications, or other data (1) are, and remain the property of Amphenol corp. (2) must be returned upon request; and (3) are confidential and not to be disclosed to any person other than those to whom they are given by Amphenol Corp. the furnishing of these drawings, specifications, or other data by Amphenol Corp., or to any other person to anyone for any purpose is not to be regarded by implication or otherwise in any manner licensing, granting rights to permitting such holder or any other person to manufacture, use or sell any product, process or design, patented or otherwise, that may in any way be related to or disclosed by said drawings, specifications, or other data.

MATERIAL	DRAWN S.LI	DATE 12-Aug-10
REFERENCE EAR # 3896	ENGINEER PADMANABHAN E	DATE 25-Jun-10
CONFIGURATION LEVEL:	APPROVED S.HSIEH	DATE 16-Aug-10
FINISH	CAD FILE	

TITLE HD BNC BHD JACK EDGE MOUNT FOR 0.062" THICK BOARD
SCALE: 12.0:1.0 SHEET 3 OF 5
DWG SIZE B
REV B

Amphenol RF Danbury CT USA, Tainan, Taiwan, Shenzhen, China www.amphenolrf.com	
DRAWING NO. 34-1018	
ITEM NO. 34-1018	
PART NO. 34-1018	

THIRD ANGLE PROJ.

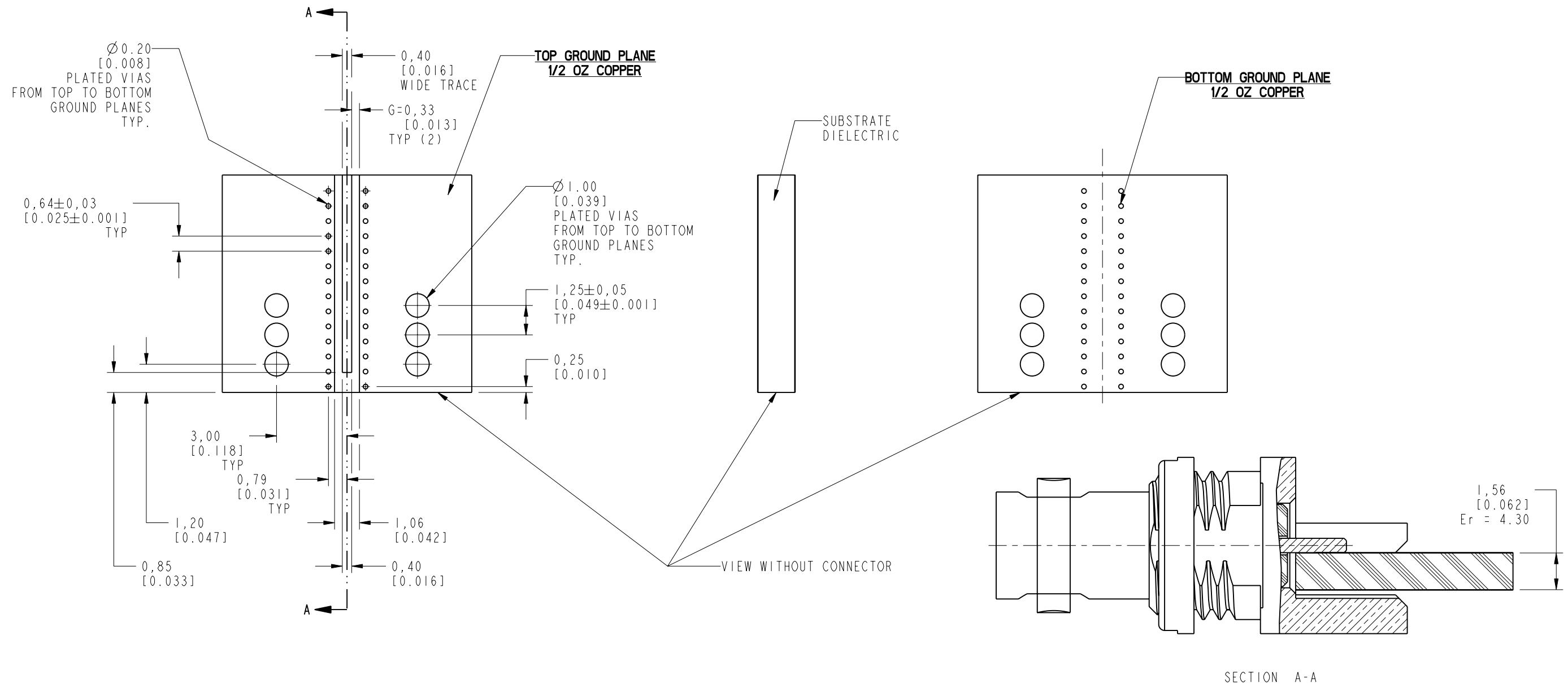
REVISIONS

CONFIGURATION - 1

REV	DESCRIPTION	DATE	ECO	APPR
A	RELEASED TO MFG.		48167	PNE
B	UNDERCUT REMOVED\RD-DM12071801R3	26-Jul-12	49164	SH

RECOMMENDED PCB LAUNCH FOR OPTIMAL RF PERFORMANCE

VARIATIONS IN BOARD SUBSTRATE AND TRACE MAY REQUIRE DIFFERENT GEOMETRY

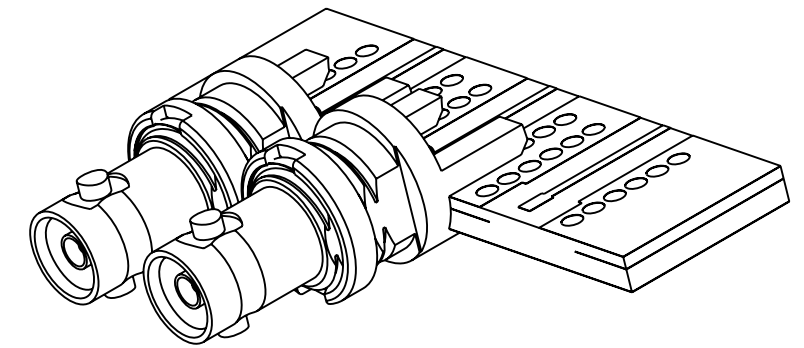
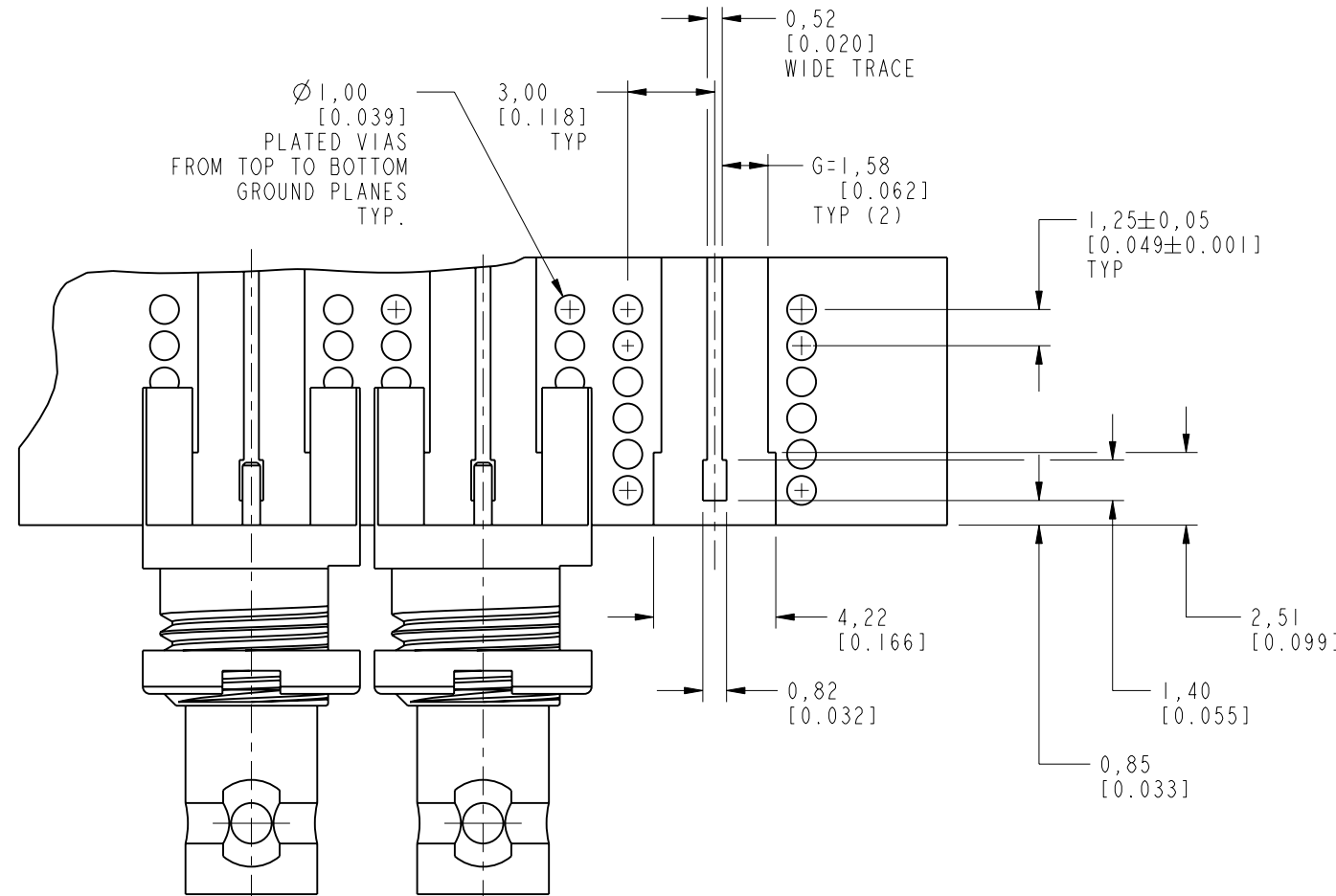


<p>UNLESS OTHERWISE SPECIFIED, DIMENSIONS ARE IN METRIC AND TOLERANCES ARE: < 0.5mm ± 0.05mm 0.5 - 6mm ± 0.1mm 6 - 30mm ± 0.2mm 30 - 120mm ± 0.3mm ANGLES ± 1°</p>	MATERIAL	DRAWN S.LI	DATE 12-Aug-10	<p>TITLE HD BNC BHD JACK EDGE MOUNT FOR 0.062" THICK BOARD</p>	<p>Amphenol RF Danbury CT USA, Tainan, Taiwan, Shenzhen, China www.amphenolrf.com</p>
	REFERENCE EAR # 3896	ENGINEER PADMANABHAN E	DATE 15-Jul-10		
NOTICE - These drawings, specifications, or other data (1) are, and remain the property of Amphenol corp. (2) must be returned upon request; and (3) are confidential and not to be disclosed to any person other than those to whom they are given by Amphenol Corp. the furnishing of these drawings, specifications, or other data by Amphenol Corp., or to any other person to anyone for any purpose is not to be regarded by implication or otherwise in any manner licensing, granting rights to permitting such holder or any other person to manufacture, use or sell any product, process or design, patented or otherwise, that may in any way be related to or disclosed by said drawings, specifications, or other data.	CONFIGURATION LEVEL:	APPROVED S.HSIEH	DATE 16-Aug-10	SCALE: 6.0:1.0 SHEET 4 OF 5	ITEM NO. 34-1018
FINISH		CAD FILE		DWG SIZE B	REV B
					PART NO. 34-1018

THIRD ANGLE PROJ.

REVISIONS

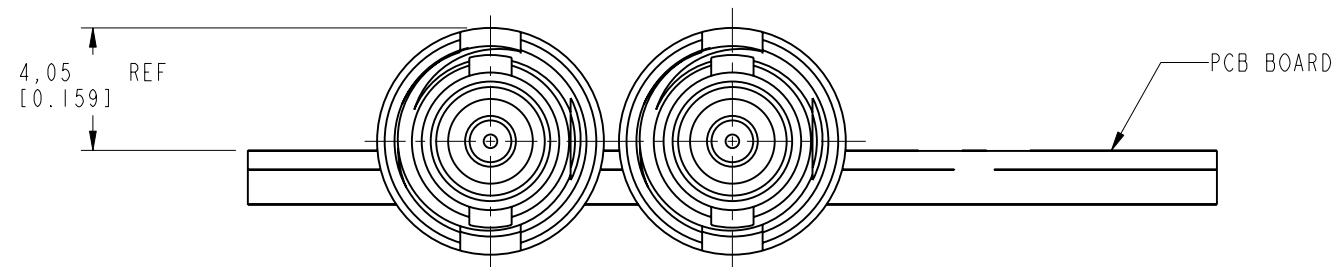
REV	DESCRIPTION	DATE	ECO	APPR
A	RELEASED TO MFG.	--	48167	PNE
B	UNDERCUT REMOVED\RD-DMI2071801R3	26-Jul-12	49164	SH



SCALE 3.000

RECOMMENDED PCB LAUNCH

CONNECTORS TO BE SPACED AT 8 MM MIN. PITCH.



CUSTOMER OUTLINE DRAWING

ALL OTHER SHEETS ARE FOR INTERNAL USE ONLY

UNLESS OTHERWISE SPECIFIED, DIMENSIONS ARE IN METRIC AND TOLERANCES ARE:
 < 0.5mm ± 0.05mm 0.5 - 6mm ± 0.1mm 6 - 30mm ± 0.2mm 30 - 120mm ± 0.3mm ANGLES ± 1°

NOTICE - These drawings, specifications, or other data (1) are, and remain the property of Amphenol corp. (2) must be returned upon request; and (3) are confidential and not to be disclosed to any person other than those to whom they are given by Amphenol Corp. the furnishing of these drawings, specifications, or other data by Amphenol Corp., or to any other person to anyone for any purpose is not to be regarded by implication or otherwise in any manner licensing, granting rights to permitting such holder or any other person to manufacture, use or sell any product, process or design, patented or otherwise, that may in any way be related to or disclosed by said drawings, specifications, or other data.

MATERIAL	-
REFERENCE	EAR # 3896
CONFIGURATION LEVEL:	
FINISH	

DRAWN	S.LI	DATE	12-Aug-10
ENGINEER	PADMANABHAN E	DATE	29-Jun-10
APPROVED	S.HSIEH	DATE	16-Aug-10
CAD FILE			

TITLE	
HD BNC BHD JACK	
EDGE MOUNT FOR	
0.062" THICK BOARD	
SCALE: 4.0:1.0	SHEET 5 OF 5
DWG SIZE	REV
B	B

Amphenol RF	
Danbury CT USA, Tainan, Taiwan, Shenzhen, China	
www.amphenolrf.com	
DRAWING NO.34-1018	
ITEM NO.34-1018	
PART NO.34-1018	

X-ON Electronics

Largest Supplier of Electrical and Electronic Components

Click to view similar products for [RF Connectors](#) / [Coaxial Connectors](#) category:

Click to view products by [Amphenol](#) manufacturer:

Other Similar products are found below :

[R125315120](#) [8915-1511-000](#) [89674-0827](#) [5916-1103-603](#) [0106-001-000](#) [6-0001-3](#) [6001-7071-019](#) [6002-7051-003](#) [6002-7551-202](#) [6059674-1](#) [619550-1](#) [630059-000](#) [M39012/25-0021](#) [M39012/79-3008](#) [M39030/3-01N](#) [M39030/3-03N](#) [M3933/25-36N](#) [6500-7071-046](#) [6501-1071-002](#) [M83723/72W2457N](#) [6769](#) [CX050L2AQ](#) [7002-1541-010](#) [7002-1572-002](#) [7003-1572-002](#) [7004-1512-000](#) [7009-1511-004](#) [7010-1511-000](#) [7029-1511-060](#) [7101-1541-010](#) [7101-1571-002](#) [7105-1521-002](#) [7145-1521-002](#) [7209-1511-011](#) [7210-1511-012](#) [7210-1511-015](#) [7210-1511-019](#) [7210-1511-040](#) [7225-1512-050](#) [7242-1511-000](#) [73137-5015](#) [73251-0111](#) [73251-0672](#) [73276-1501](#) [73366-0013](#) [73404-2300](#) [73413-6080](#) [734151610](#) [73415-5721](#) [7405-1521-005](#)