

## Specifications:

Contact rating:	250 V AC, 3 A / 125 V AC, 6 A 30 V DC, 4 A / 12 V DC, 5 A 6 V DC, 6 A
Contact resistance:	< 10 mΩ
Insulation resistance:	> 1000 MΩ at 500 V DC
Dielectric strength:	1500 V, 50 Hz for the duration of 1 minute
Operating temperature:	- 45° to + 140° C
Mechanical life:	minimum 100 000 operations
Contacts:	coin silver (common contact copper alloy, silver-plated) also available gold-plated, version B and G (see page 4)
Terminals:	solder tags, copper alloy silver-plated further terminal versions see page 8
Water proofing:	30 minutes at 1 m water column; IP 67
Sealing:	neoprene O-rings between toggle/bushing and bushing/panel
Material:	case: diallyle-phthalate, meets UL 94 V-0, black lever: chromium-plated, metal parts: nickel-plated
Mounting:	bushing M 6 x 0,75 locking through flat bush, key 9 mm
Soldering conditions:	hand-soldering – max.: 60 W, 3 sec, 420° C auto-soldering – max.: 5 sec, 270° C

## Accessories:

Plastic caps (height 11,5 mm)

orange	C 1103
blue	C 1104
black	C 1105
green	C 1106
grey	C 1107
yellow	C 1108
red	C 1109
white	C 1110



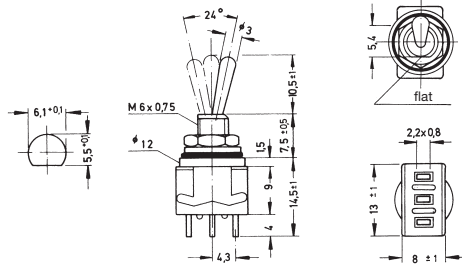


# Miniature Toggle Switches waterproof

**Models:** Switching functions

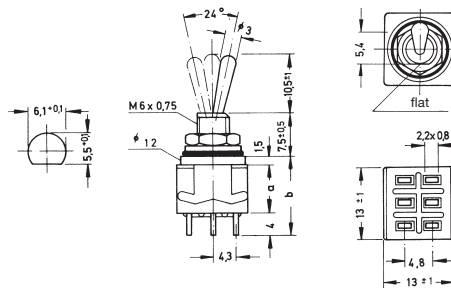
## SPDT

	●		
MTE 106 D	on	-	on
MTE 106 E	on	off	on
MTE 106 F	mom	-	on
MTE 106 G	mom	off	mom
MTE 106 H*	mom	off	on



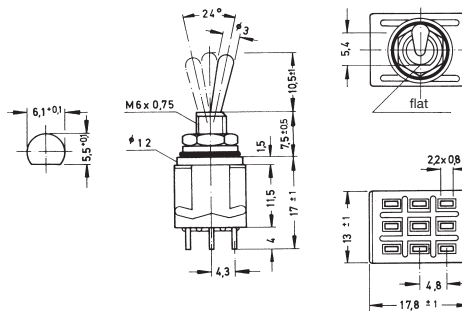
## DPDT

MTE 206 N	on	-	on
MTE 206 P	on	off	on
MTE 206 R	mom	-	on
MTE 206 S	mom	off	mom
MTE 206 T	mom	off	on
measures: a = 9, b = 14,5±1			
MTE 206 PA	on	on	on
MTE 206 SA*	mom	on	mom
MTE 206 TA*	mom	on	on
measures: a = 11,5, b = 17±1			



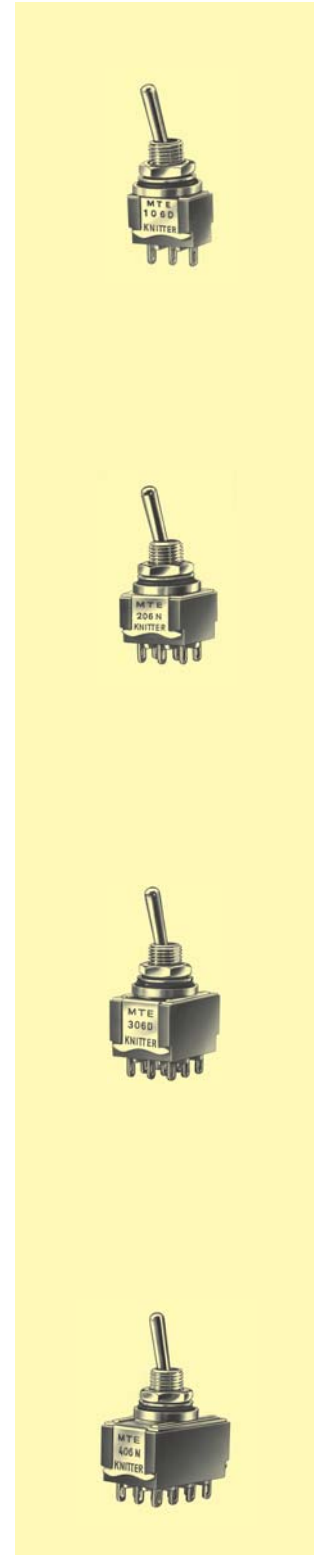
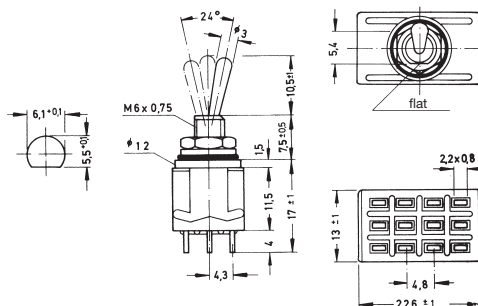
## 3PDT

MTE 306 D	on	-	on
MTE 306 E	on	off	on
MTE 306 F*	mom	-	on
MTE 306 G*	mom	off	mom
MTE 306 H*	mom	off	on



## 4PDT

MTE 406 N	on	-	on
MTE 406 P	on	off	on
MTE 406 R*	mom	-	on
MTE 406 S*	mom	off	mom
MTE 406 T*	mom	off	on
MTE 406 PA*	on	on	on
MTE 406 SA*	mom	on	mom
MTE 406 TA*	mom	on	on



\* Non-stock item; minimum quantity and delivery time on request.

## X-ON Electronics

Largest Supplier of Electrical and Electronic Components

*Click to view similar products for [Toggle Switches](#) category:*

*Click to view products by [Knitter-Switch](#) manufacturer:*

Other Similar products are found below :

[8A1-C-222](#) [60012L](#) [6006L](#) [6663](#) [7101MD9V30GE](#) [7101SPDV30BE](#) [7103SDV30BE](#) [7105D](#) [7108P3YAV2BE](#) [71YY50282](#)  
[7201MD9AVBE](#) [7301K38](#) [7306K36](#) [7310K36](#) [7314K36](#) [7506K4](#) [7592K6](#) [7691K14](#) [7700K1](#) [8396K108](#) [8824K14](#) [8828K13](#) [G2VX](#) [G3VX](#)  
[PS83-121G](#) [A101MD9AB04](#) [A101SD9AB04](#) [A101SDCQ04](#) [A103SD9AQ04](#) [A107TZB04](#) [A123P32YZQ](#) [A123S1YZG](#) [A127S1YCQ](#) [1-](#)  
[1825192-0](#) [A131S1YZQ](#) [A201SCWZB04](#) [A207SYCB04](#) [A208J61ZQ0004](#) [A221K12KAG](#) [A221S1YZQ](#) [A221T1TCQ](#) [A232K12KZQ](#)  
[A232M1YCQ](#) [A323S1CWZQ](#) [A423S1CWZG-M8](#) [A423S1YZQ](#) [12149A-3V](#) [12156AX408](#) [12147AGKX679](#) [12149AD2G0383VX408](#)