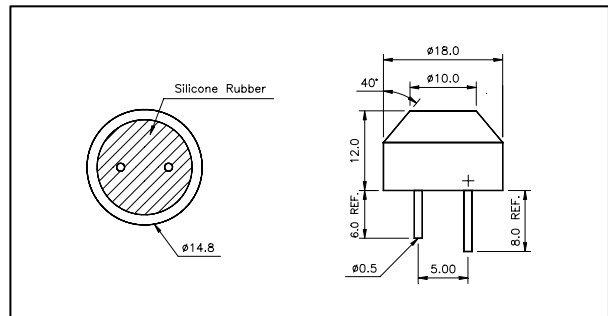




**Dimensions:** dimensions are in mm



**Specification**

<b>400EP18A</b>	Transceiver
<b>Center Frequency</b>	40.0±1.0Khz
<b>Bandwidth (-6dB) 400EP18A</b>	2.0Khz
<b>Transmitting Sound Pressure Level</b>	108dB min.
at resonant frequency; 0dB re 0.0002μbar per 10Vrms at 30cm	
<b>Receiving Sensitivity</b>	-75dB min.
at resonant frequency 0dB = 1 volt/μbar	
<b>Nominal Impedance (Ohm)</b>	750
<b>Ringing (ms)</b>	1.2 max.
<b>Capacitance at 1Khz ±20%</b>	2000 pF
Temperature Compensated Type	4000 pF
<b>Max. Driving Voltage (Cont.)</b>	20Vrms
20 bursts, 25ms repetition rate	100Vpp
<b>Total Beam Angle -6dB</b>	85°
<b>Operation Temperature</b>	-30 to 80°C
<b>Storage Temperature</b>	-40 to 85°C

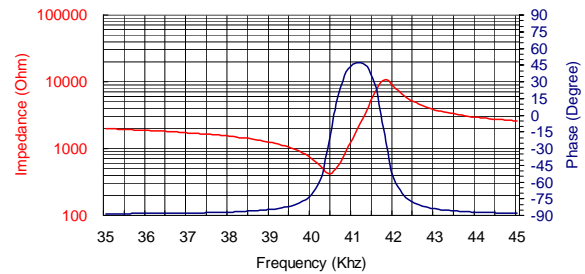
All specification taken typical at 25°C  
 Both lead pins and lead wires output are available. Temperature compensated type is available upon request.

Models available:

1	400EP18A	Black Al. Housing
2	400EP18A0	Natural Al. Housing
3	400EP18AC	Temp. Compensated

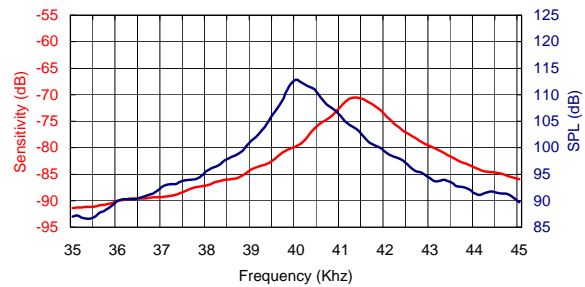
**Impedance/Phase Angle vs. Frequency**

Tested under 1Vrms Oscillation Level

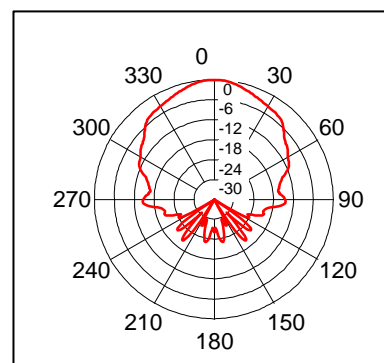


**Sensitivity/Sound Pressure Level**

Tested under 10Vrms @30cm



**Beam Angle:** Tested at 40.0Khz frequency



## **X-ON Electronics**

Largest Supplier of Electrical and Electronic Components

*Click to view similar products for [prowave manufacturer](#):*

Other Similar products are found below :

[400SR120](#) [400ST100](#) [FS-2513P](#) [328ER250](#) [M165D25](#) [400SR10B](#) [K4000001](#) [400SR160](#) [400ST120](#) [400EP18A](#) [500MB120](#) [K4000005](#)  
[K4000004](#) [400PT160](#)