

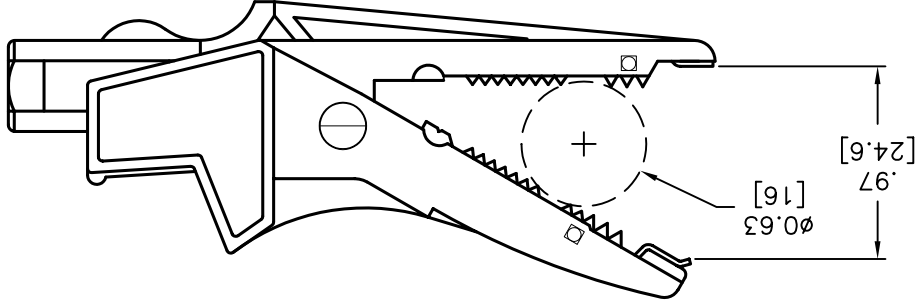
DISCLAIMER:
 ALL STATEMENTS AND TECHNICAL INFORMATION CONTAINED
 HEREIN ARE BASED UPON INFORMATION AND/OR TESTS WE
 BELIEVE TO BE ACCURATE AND RELIABLE. SINCE
 CONDITIONS OF USE ARE BEYOND OUR CONTROL, THE
 USER SHALL DETERMINE THE SUITABILITY OF THE PRODUCT
 FOR THE INTENDED USE AND ASSUME ALL RISK AND
 LIABILITY WHATSOEVER IN CONNECTION THEREWITH.

TOLERANCES:
 UNLESS OTHERWISE
 SPECIFIED,
 DIMENSIONS ARE
 FOR REFERENCE
 PURPOSES ONLY.

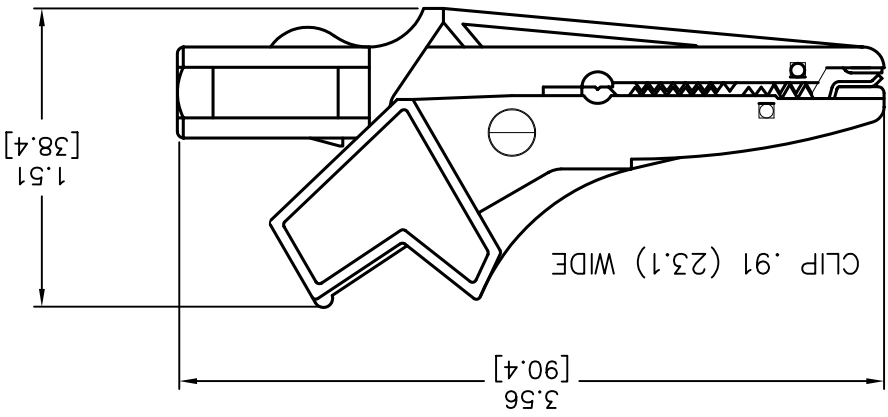
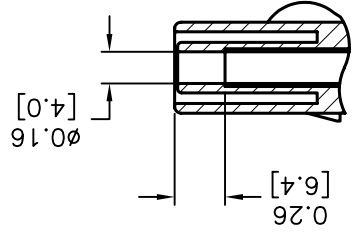
DATE:	1/23/04	John Cole
APPROVED BY:		
DATE:	1/14/04	Hisham Odish
CHECKED BY:		
DATE:	1/5/04	Jeff McVicker
DRAWN BY:		

SCALE:	NTS	U.O.M.: INCHES [mm]	SHEET:	1 OF 1
DRAWING TITLE:	4mm Fully Insulated Alligator Clip, Red			
SIZE	DWG. NO.	ELECTRONIC FILE		
A	76-124	72C5674.dwg		
REV	A			

- Notes:
- Voltage: 1000V CAT III P2 (IEC61010-1)
 - Current: 20 Amps Max.
 - Internal Resistance: <20 milliohms
 - Temperature: -20°C ~ +80°C
 - Materials:
 - Body: Polyamide (Nylon) Red
 - Contact: Brass, Nickel Plated



JACK SECTION



DCP #	REV	DESCRIPTION	DRAWN	DATE	CHECKD	DATE	APPRVD	DATE
1355	A	RELEASED	JWM	1/5/04	HO	1/13/04	JC	1/23/04

REVISIONS

DOC. NO. SPC-F005 * Effective: 7/8/02 * DCP No: 1398

ALL RIGHTS RESERVED. NO PORTION OF THIS PUBLICATION,
 WHETHER IN WHOLE OR IN PART CAN BE REPRODUCED,
 WITHOUT THE EXPRESS WRITTEN CONSENT OF SPC
 TECHNOLOGY.

SPC-F005.DWG



X-ON Electronics

Largest Supplier of Electrical and Electronic Components

Click to view similar products for [tenma manufacturer](#):

Other Similar products are found below :

[21-10164](#) [21-10158](#) [72-7715](#) [BC0024434](#) [72-7712](#) [76-009](#) [76-081](#) [CBB019217](#) [CBB018722](#) [76-024](#) [72-13668](#) [72-13686](#) [72-13688](#) [72-13736](#) [72-13742](#) [72-13818](#) [72-13822](#) [72-13824](#) [72-13836](#) [72-13856](#) [72-13858](#) [72-13872](#) [72-13874](#) [72-13908](#) [72-13950](#) [72-13986](#) [72-14060](#) [72-14302](#) [72-3099](#) [76-1448](#) [76-1556](#) [76-019](#) [72-14400](#) [72-13762](#) [72-13812](#) [72-13826](#) [72-13832](#) [72-13888](#) [72-13942](#) [72-14008](#) [72-14014](#) [72-14048](#) [72-14148](#) [72-14230](#) [72-17175](#) [72-2655](#) [72-7615](#) [76-097](#) [76-1446](#) [76-022](#)