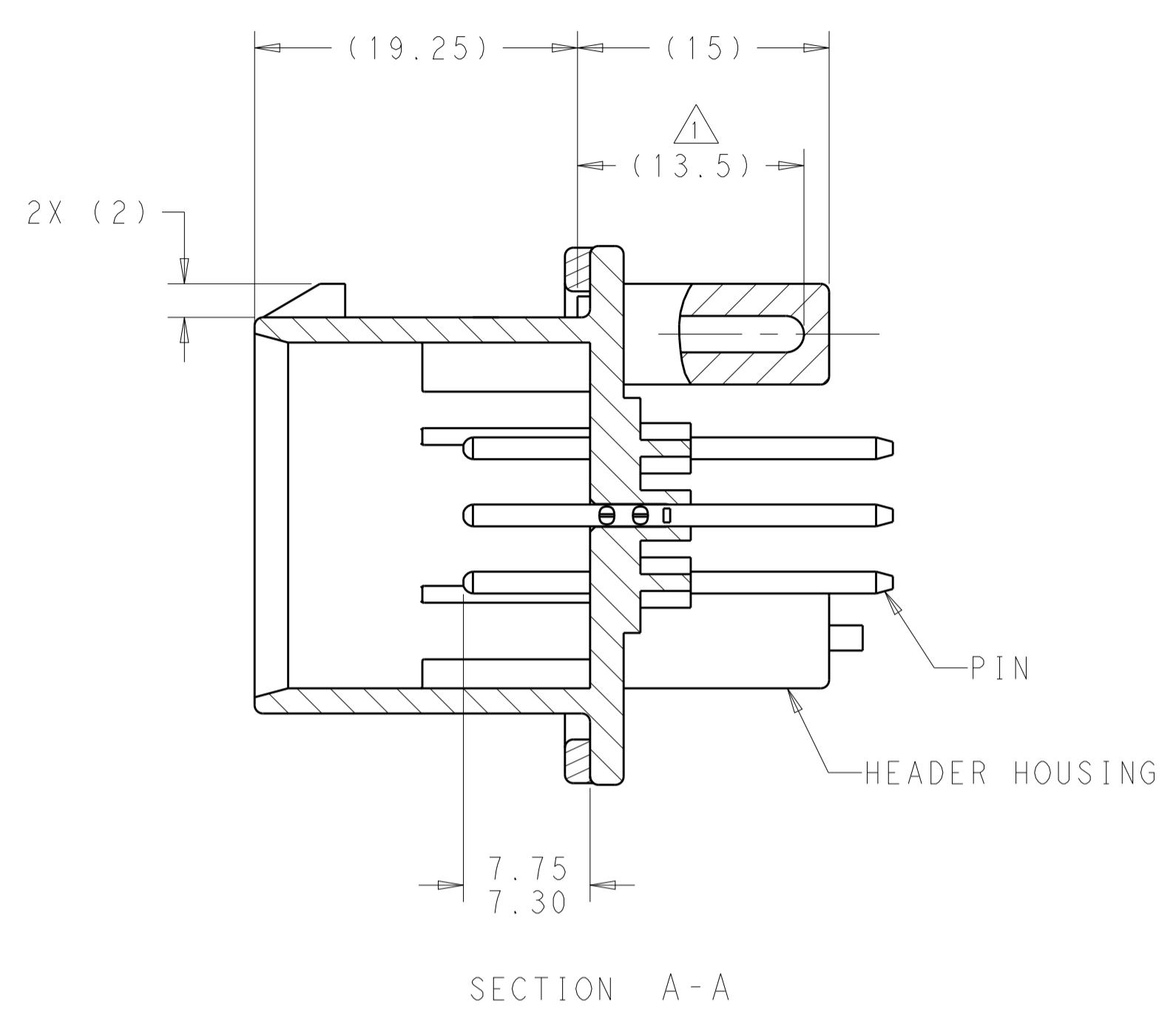
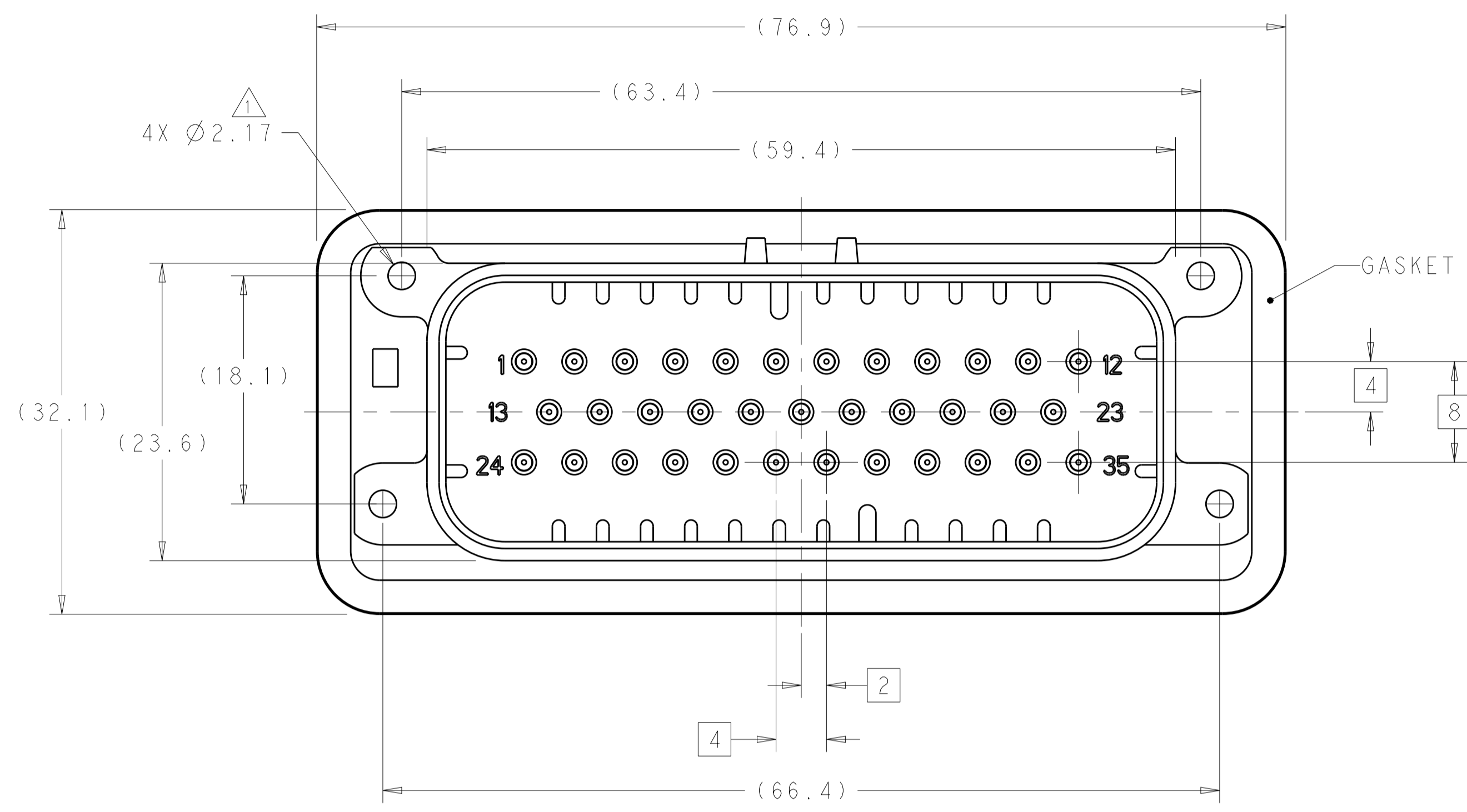
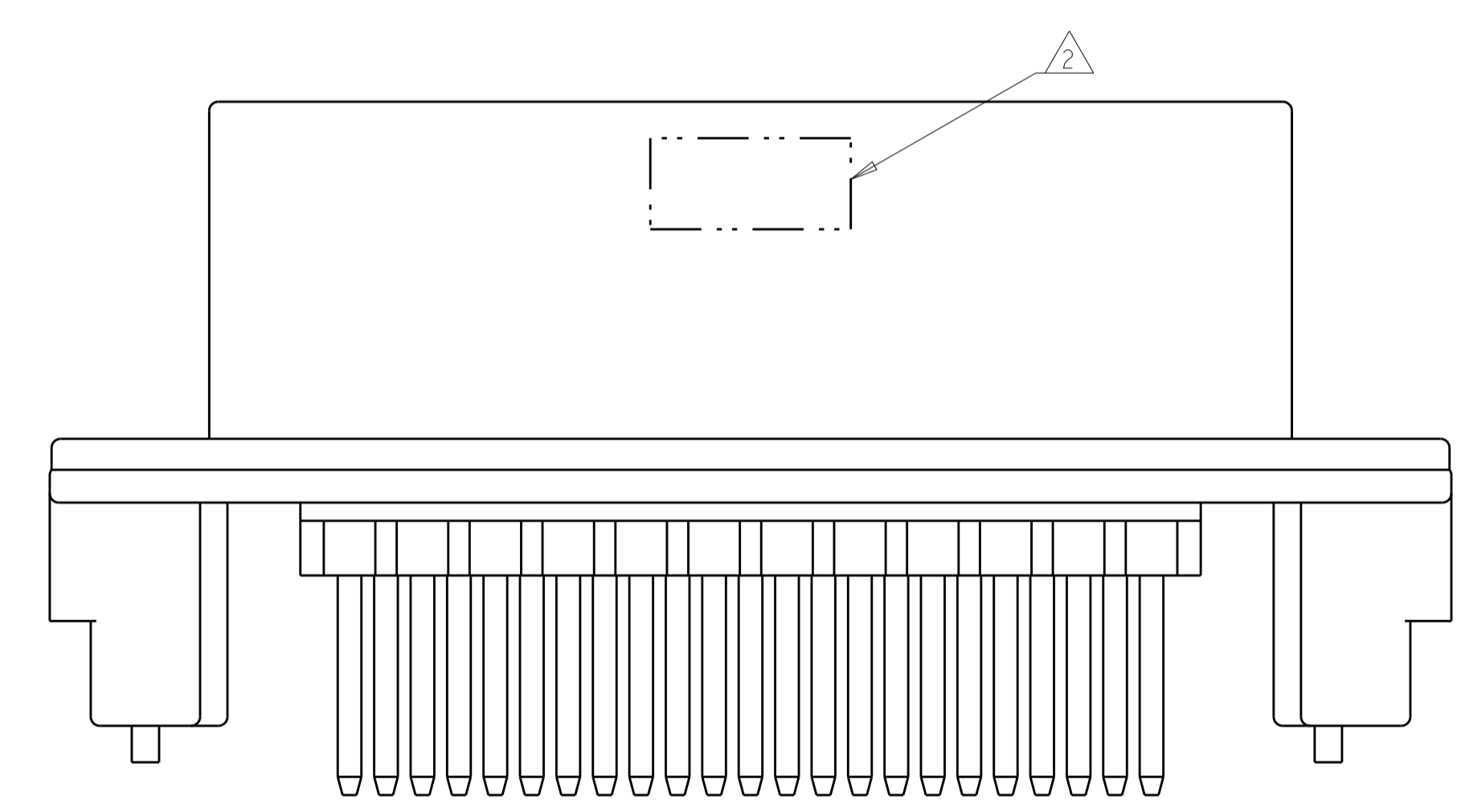


REVISIONS				
P.	LTN	DESCRIPTION	DATE	APVD
A11		REVISED PER ECO-16-003526	09MAR2016	JM DS
A12		REVISED PER ECO-16-012374	22AUG2016	DD DS
A13		ECO-18-000051	02JAN2017	DS DS



- 1 ACCEPTS #3 SELF TAPPING THREAD FORMING SCREWS OR METRIC EQUIVALENT. DRIVE TO 0.6-0.8 N-m
- 2 DATE CODE IN THIS LOCATION USING 5 DIGIT CODE FIRST 2 DIGITS = YEAR, SECOND 2 DIGITS = WEEK LAST DIGIT = DAY.
- 3 MATERIALS: HEADER HOUSING - GLASS FILLED PBT  
PINS - TIN OR GOLD PLATED BRASS  
GASKET - SILICONE
- 4 HOUSING COLORS ARE MECHANICALLY KEYPED TO MATE ONLY WITH IDENTICALLY COLORED PLUG ASSEMBLIES.
- 5. HEADER MATES TO PLUG ASSEMBLY 776164 WHICH USES REELED TERMINAL 770520 OR LOOSE PIECE TERMINAL 770854

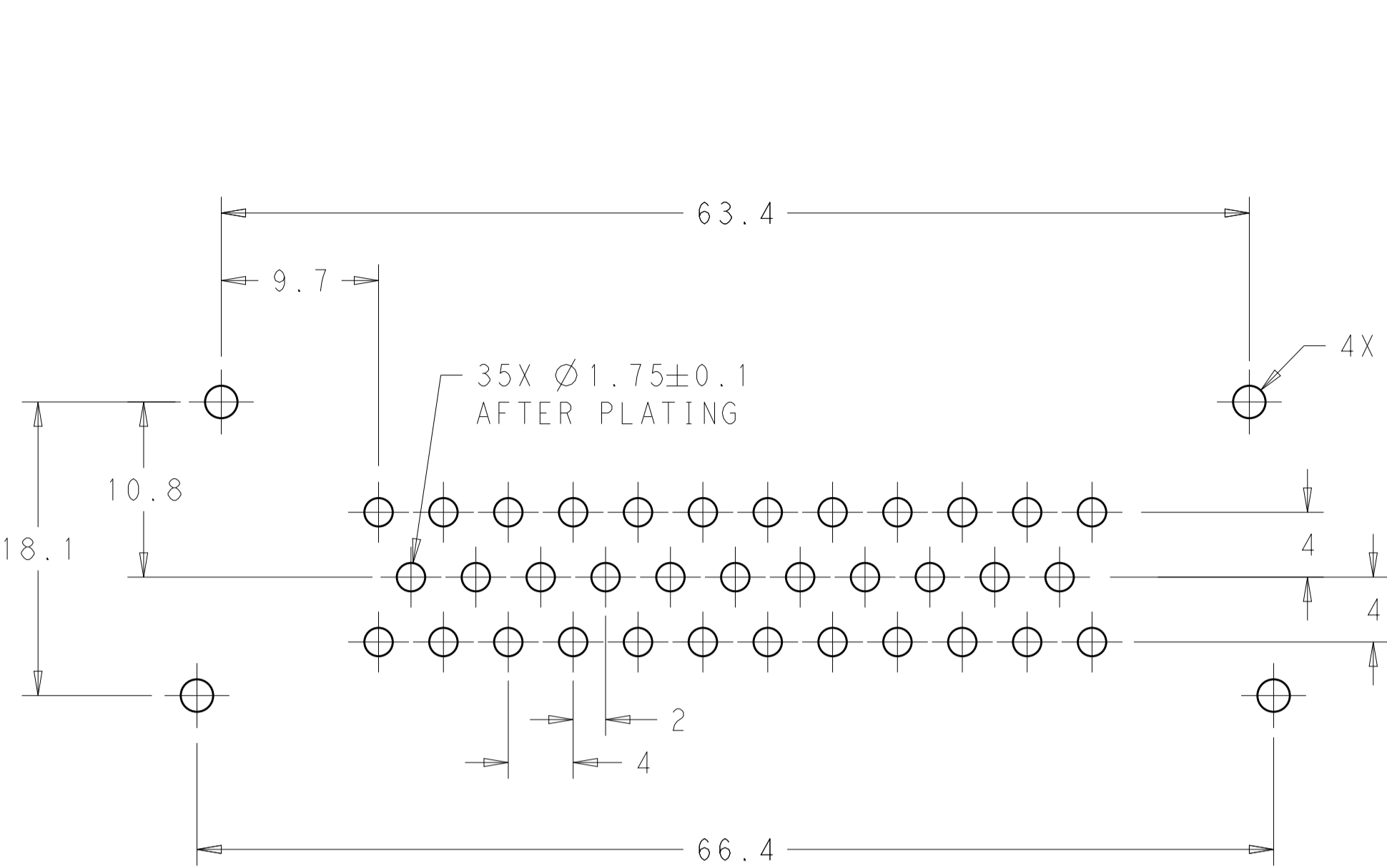


776231-1 & 1-776231-1 SHOWN

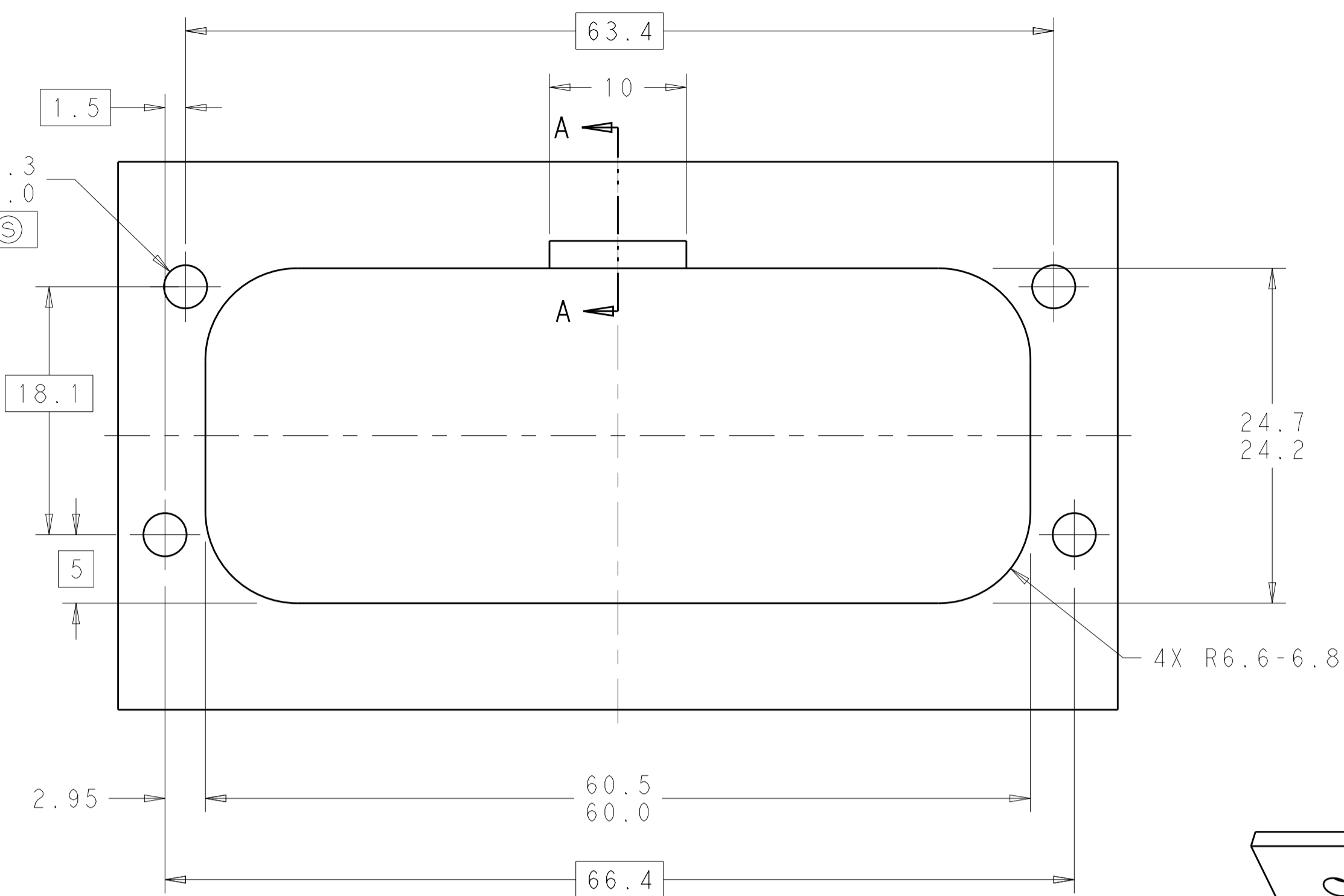
HEADER COLOR	PLATING	PART NUMBER
ORANGE	DURAGOLD	1-776231-6
BLUE	DURAGOLD	1-776231-5
GRAY	DURAGOLD	1-776231-4
NATURAL	DURAGOLD	1-776231-2
BLACK	DURAGOLD	1-776231-1
BLUE	TIN	776231-5
GRAY	TIN	776231-4
NATURAL	TIN	776231-2
BLACK	TIN	776231-1

THIS DRAWING IS A CONTROLLED DOCUMENT.		OWN: D. STRAUSSER 05MAR2010	TE Connectivity	
DIMENSIONS: mm		CHK: D. STRAUSSER 22MAR2010		
TOLERANCES UNLESS OTHERWISE SPECIFIED:		APVD: D. STRAUSSER 27APR2010		
0 PLC ±0.2	1 PLC ±0.13	PRODUCT SPEC: 108-1329	NAME: ASSEMBLY, HEADER, 35 POSITION, VERTICAL, AMPSEAL WITH FLANGE SEAL	
2 PLC ±0.13	3 PLC ±0.13	APPLICATION SPEC: 114-16016	SIZE: A1	CAGE CODE: 00779
4 PLC ±0.13	ANGLES ±45°	WEIGHT: -	SCALE: 3:1	SHEET 1 OF 2
MATERIAL: 3	FINISH: 3	CUSTOMER DRAWING	REV: A13	

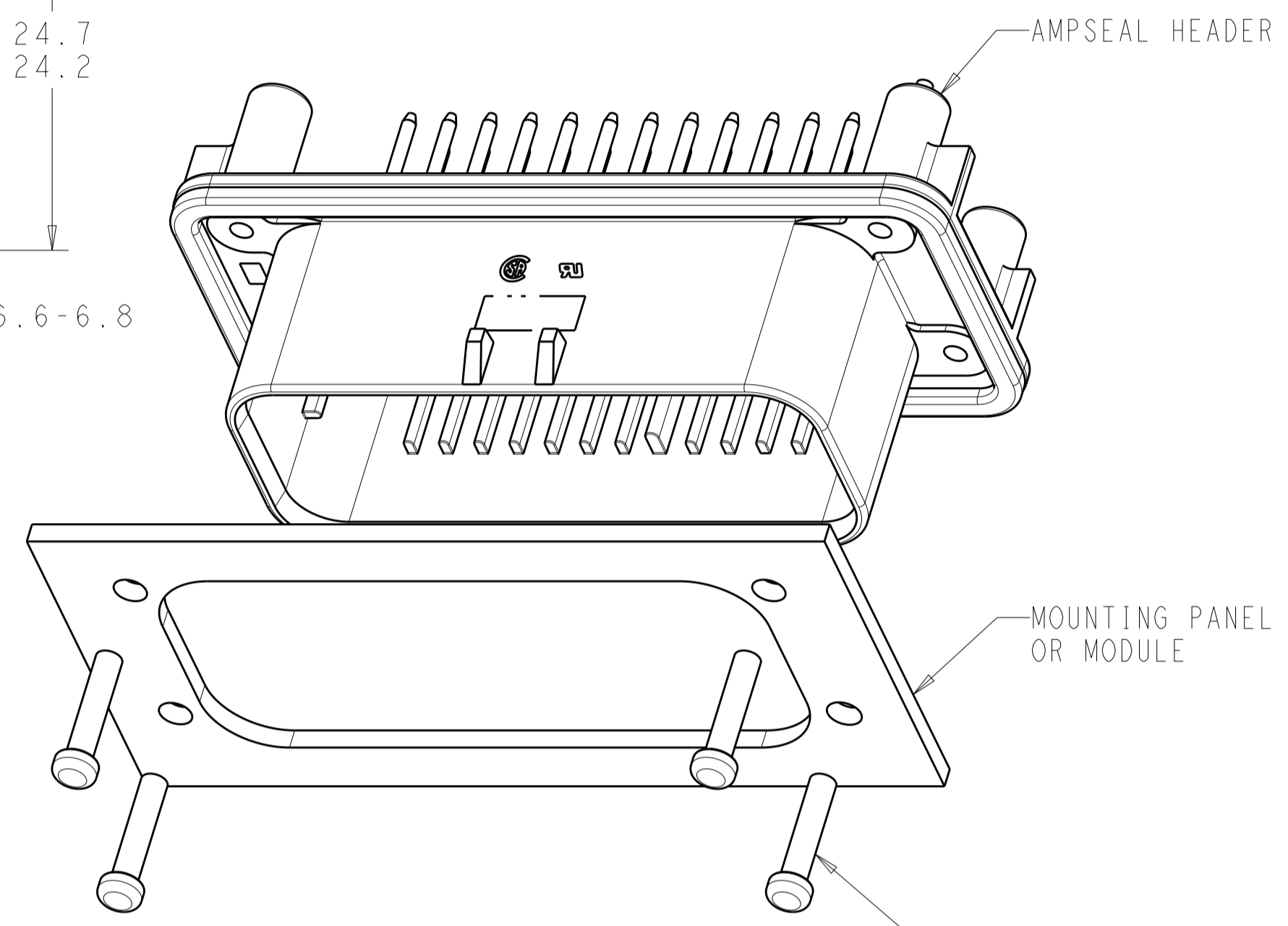
REVISIONS				
P.	LTH	DESCRIPTION	DATE	OWN APVD
-	-	SEE SHEET 1	-	-



RECOMMENDED P.C. BOARD LAYOUT  
 FOR 1.57 THICK P.C. BOARD

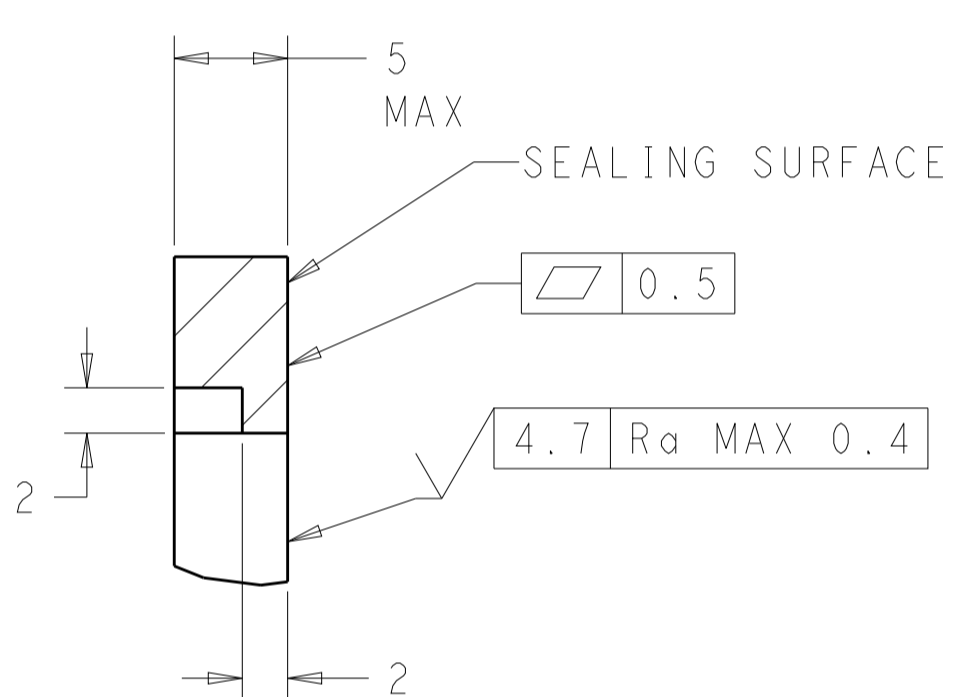


RECOMMENDED MOUNTING HOLE LAYOUT  
 FOR 5.0 MAX THICK PANEL

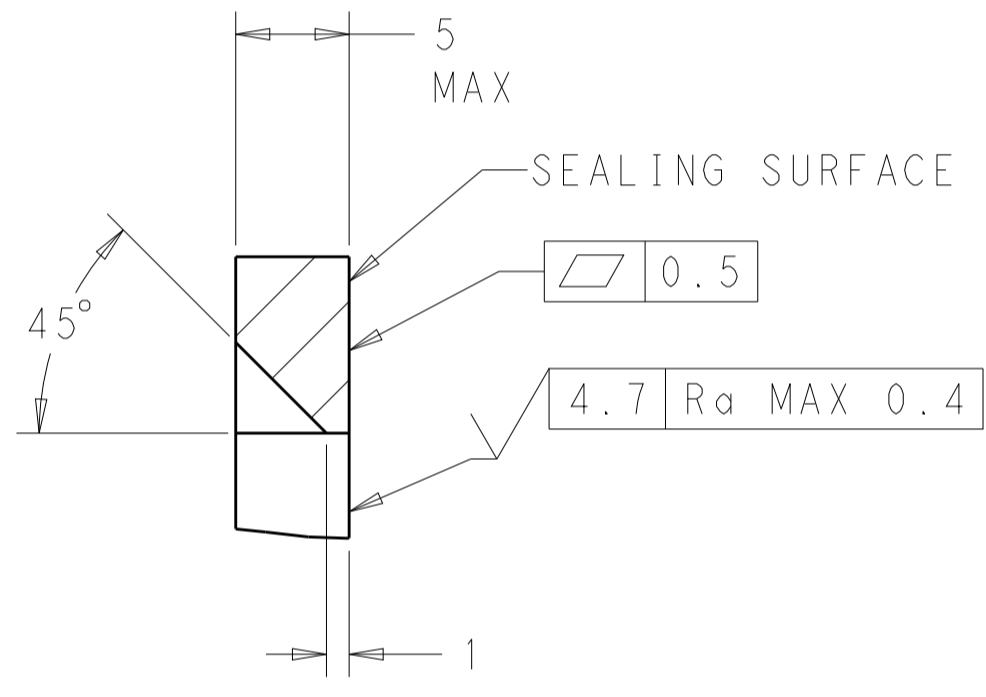


SCALE 2:1

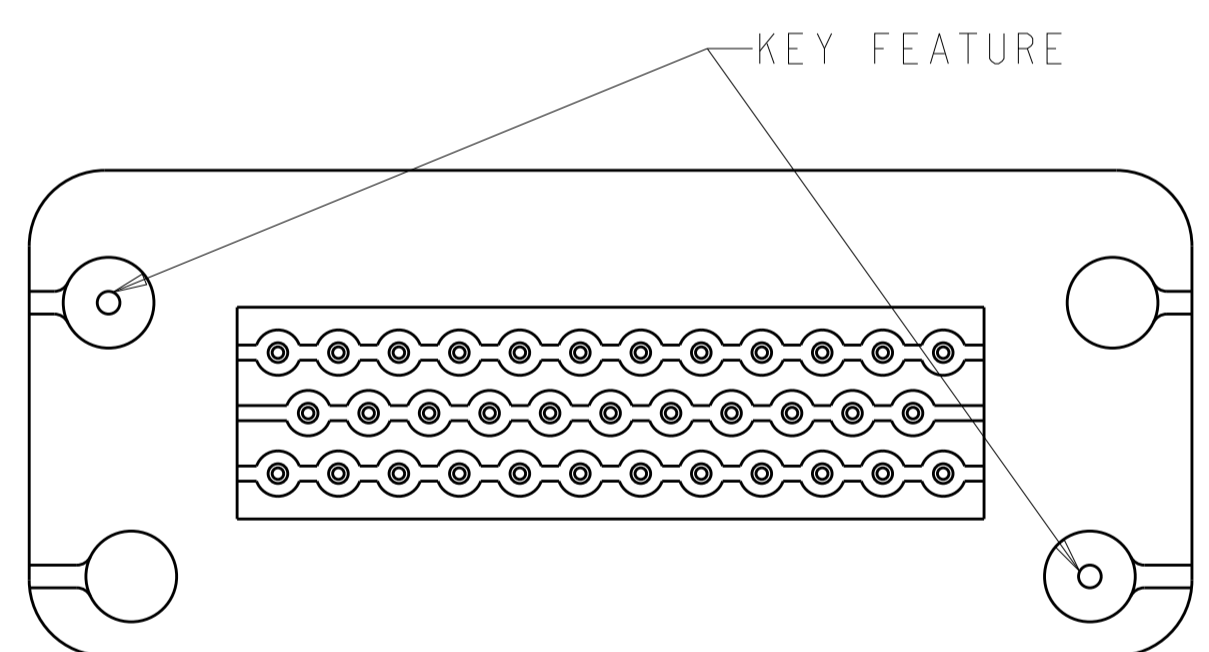
MOUNTING SCREW (4)  
 TORQUE TO 0.6N-m TO 0.8N-m



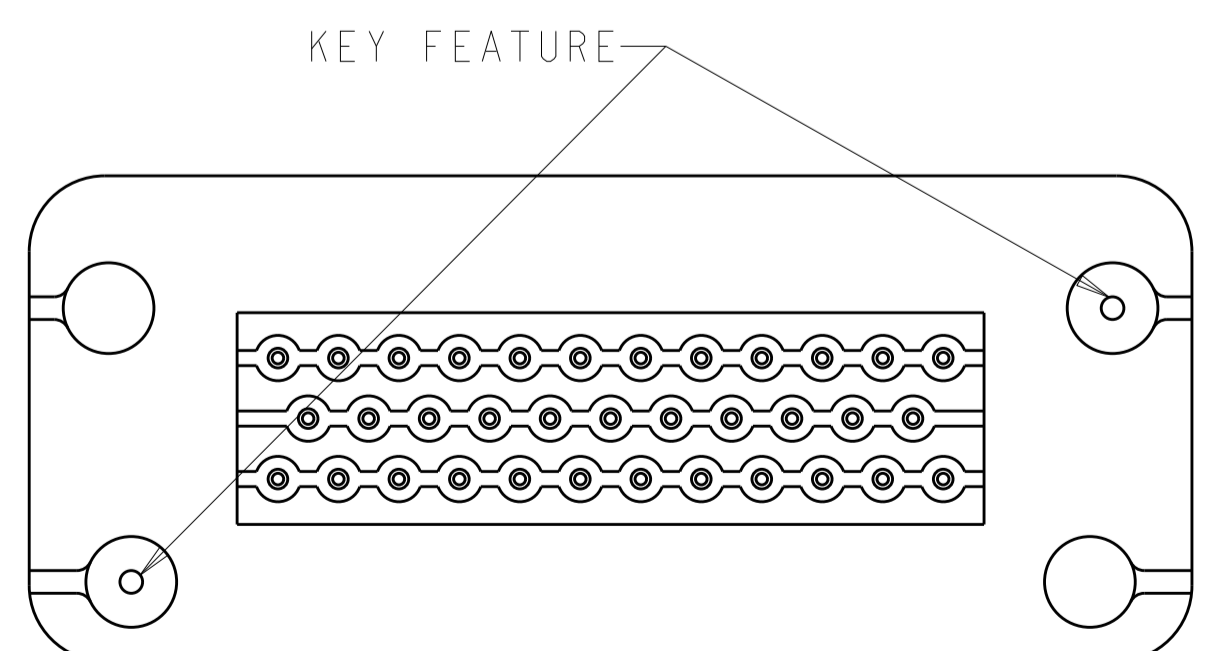
SECTION A-A  
 OPTIONAL CONSTRUCTION IF PANEL  
 THICKNESS IS GREATER THAN 2.0



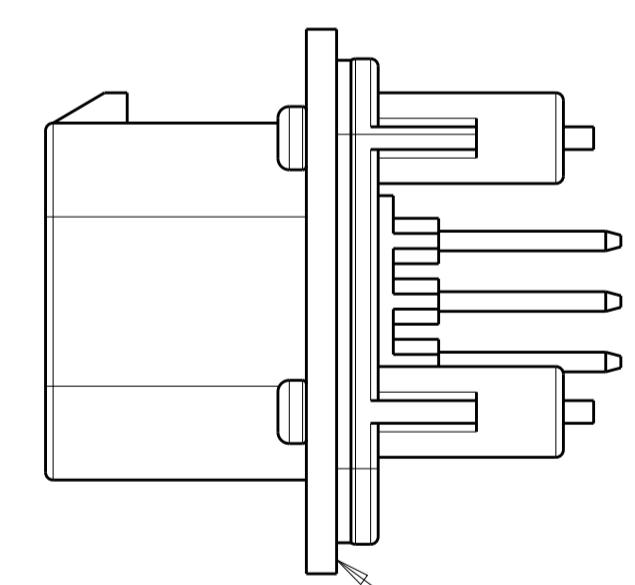
SECTION A-A  
 OPTIONAL CONSTRUCTION IF PANEL  
 THICKNESS IS GREATER THAN 2.0



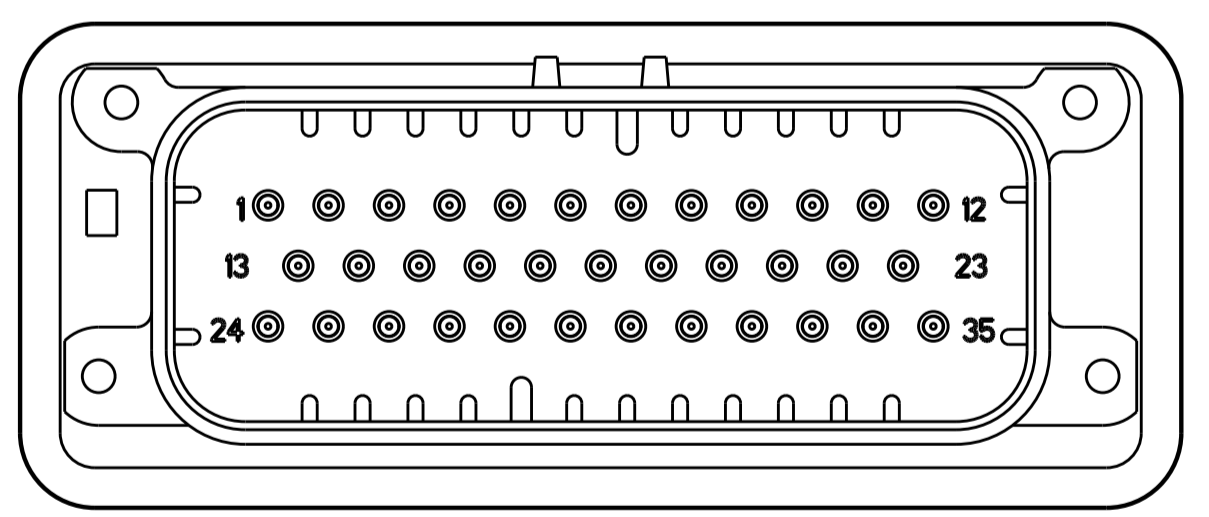
KEYING FOR 776231-1, 1-776231-1, 776231-4,  
 1-776231-4 AND 1-776231-6  
 SCALE 2:1



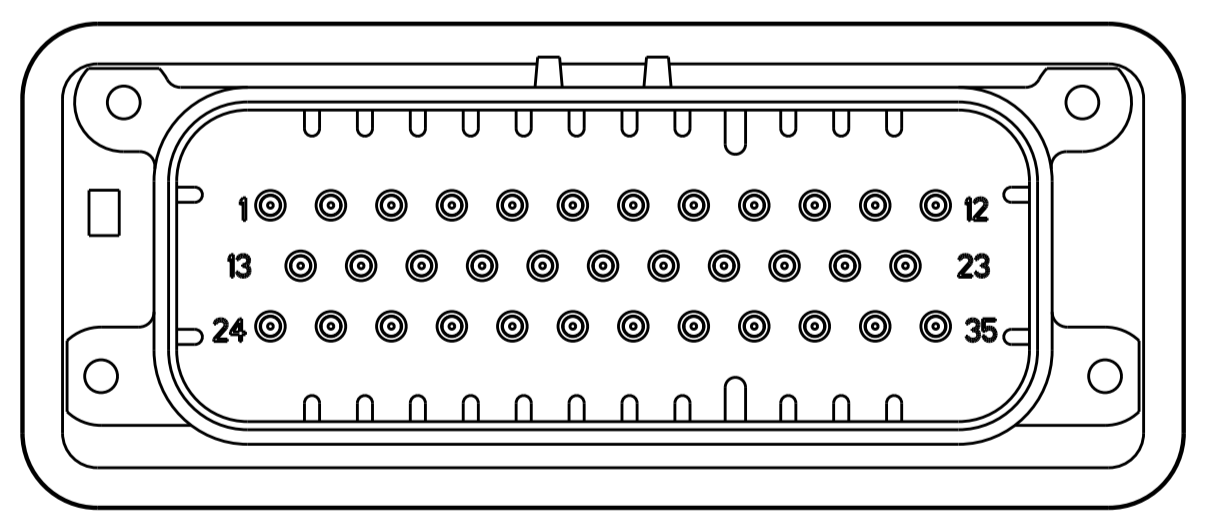
KEYING FOR 776231-2, 1-776231-2, 776231-5  
 AND 1-776231-5  
 SCALE 2:1



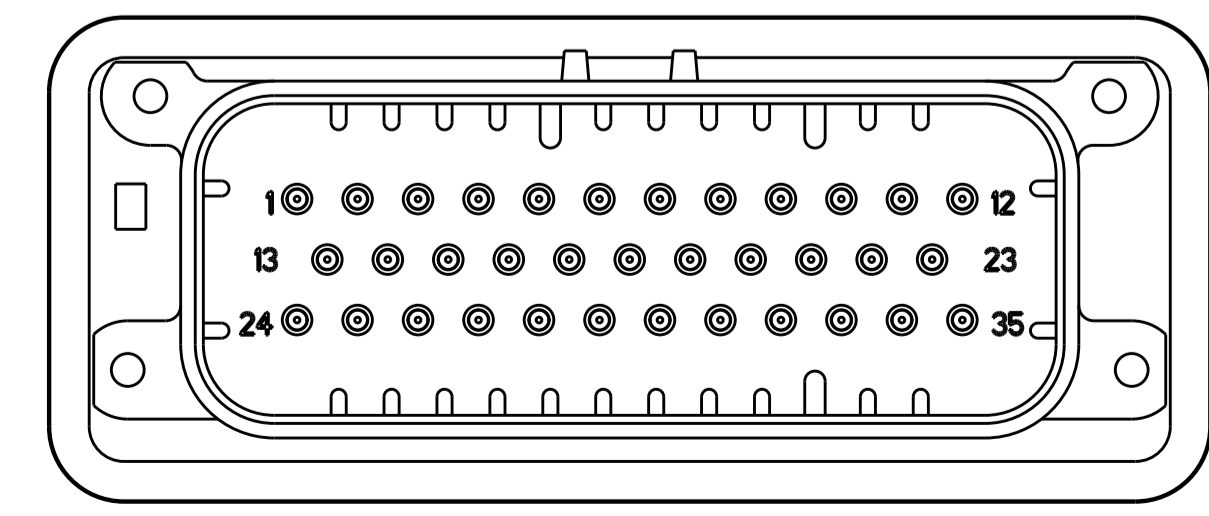
SCALE 2:1 ENSURE THE HEADER IS FLUSH  
 TO THE PANEL FACE ALL AROUND  
 BEFORE TIGHTENING TO FINAL TORQUE



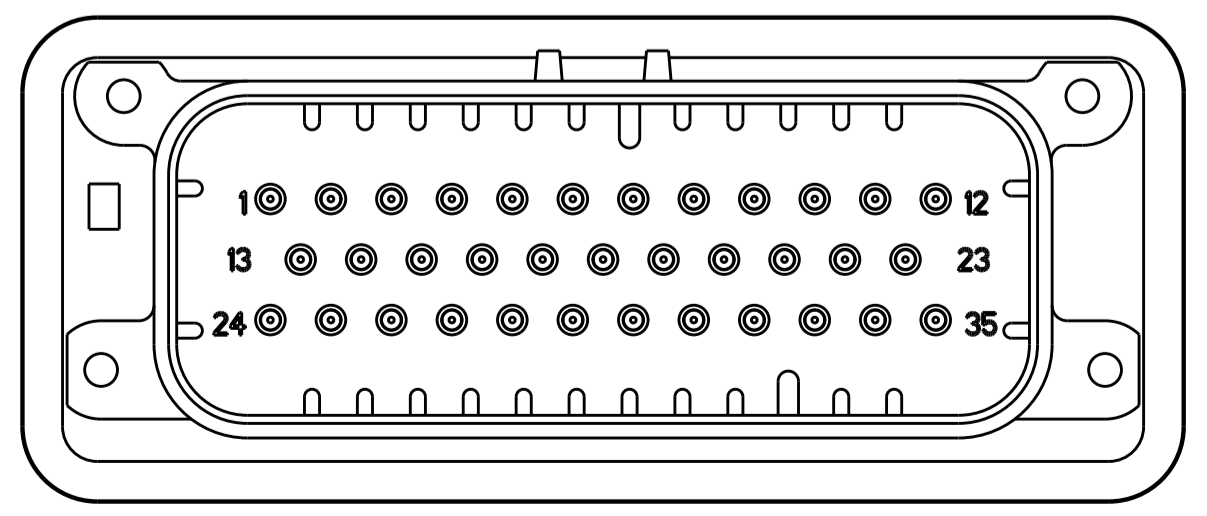
776231-2 & 1-776231-2  
 KEY LOCATION  
 SCALE 2:1



776231-4 & 1-776231-4  
 KEY LOCATION  
 SCALE 2:1



776231-5 & 1-776231-5  
 KEY LOCATION  
 SCALE 2:1



1-776231-6  
 KEY LOCATION  
 SCALE 2:1

THIS DRAWING IS A CONTROLLED DOCUMENT.		OWN: D. STRAUSSER 05MAR2010	TE Connectivity	
DIMENSIONS:		CHK: D. STRAUSSER 22MAR2010		
mm		APVD: D. STRAUSSER 27APR2010	NAME: ASSEMBLY, HEADER, 35 POSITION, VERTICAL, AMPSEAL WITH FLANGE SEAL	
TOLERANCES UNLESS OTHERWISE SPECIFIED:		PRODUCT SPEC: 108-1329	SIZE: CAGE CODE DRAWING NO. RESTRICTED TO	
0 PLC ±		APPLICATION SPEC: 114-16016	SCALE: 1:1 SHEET 2 OF 2 REV: A13	
1 PLC ±0.2		WEIGHT: -	CUSTOMER DRAWING	
2 PLC ±0.13				
3 PLC ±				
4 PLC ±				
ANGLES ±				
FINISH: *4*				

## X-ON Electronics

Largest Supplier of Electrical and Electronic Components

*Click to view similar products for [Automotive Connectors](#) category:*

*Click to view products by [TE Connectivity](#) manufacturer:*

Other Similar products are found below :

[003-018-000](#) [600858](#) [60403001](#) [60993906-B](#) [60993913-B](#) [629515004020001](#) [M902-2131](#) [M902-2161](#) [M902-2344](#) [72.330.1035.1](#)  
[73.353.4028.0](#) [F118010](#) [F119300-B](#) [F132210](#) [F132210-B](#) [F166900](#) [F180100](#) [F258300](#) [F258300-B](#) [F294300-B](#) [F339100](#) [F339700](#) [F358300-](#)  
[B](#) [F374110](#) [F407400](#) [F412210](#) [F427600](#) [F444110](#) [F487000](#) [F495100-B](#) [F500900-B](#) [F509500B-B](#) [770444-1](#) [776880-1](#) [827153-1](#) [881735-1](#)  
[8N1515-32-24P](#) [9-1326727-8](#) [9-1326729-8](#) [925467-1](#) [925474-1](#) [928905-1](#) [936398-2](#) [964562-1](#) [964562-4](#) [964731-2](#) [965051-1](#) [968782-1](#)  
[GT17SA-8DS-HU](#) [GT17VS-10DP-5.2CF](#)