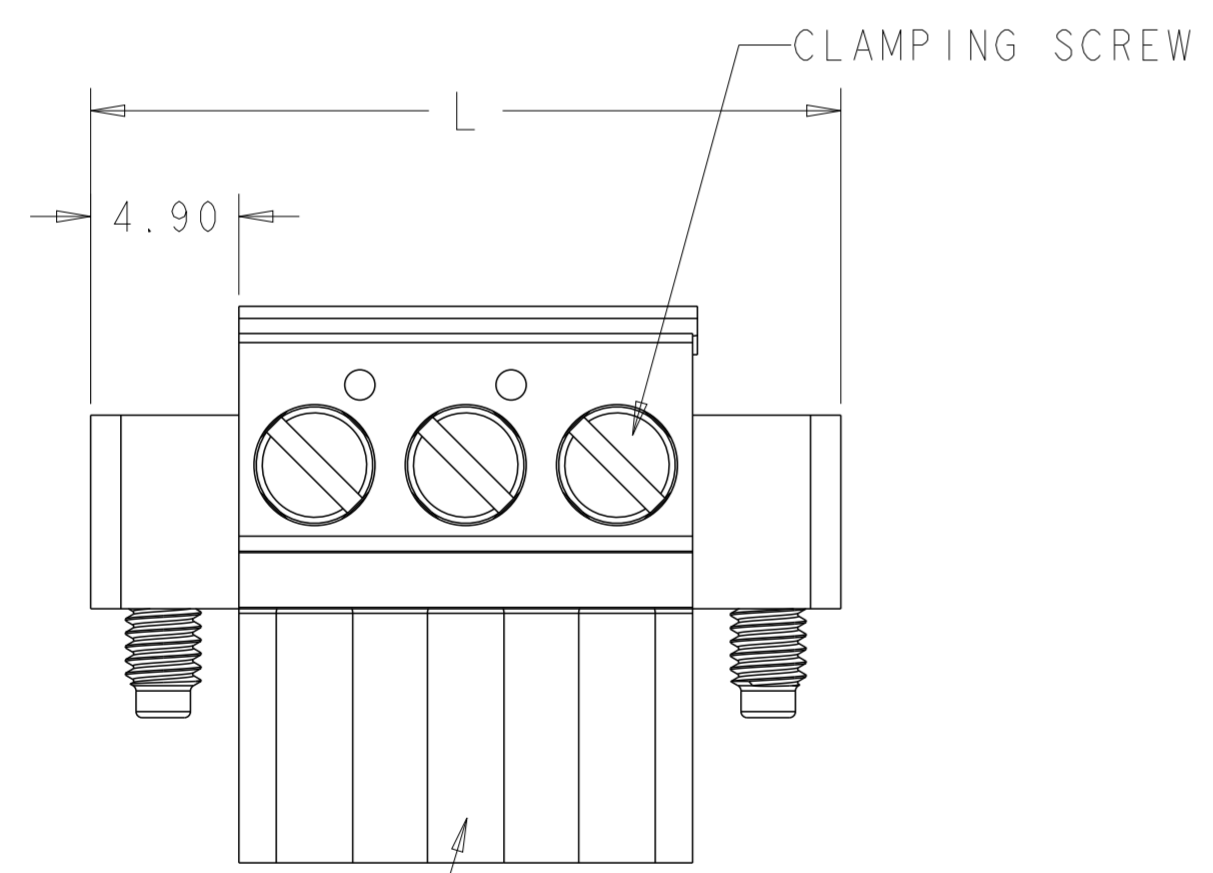
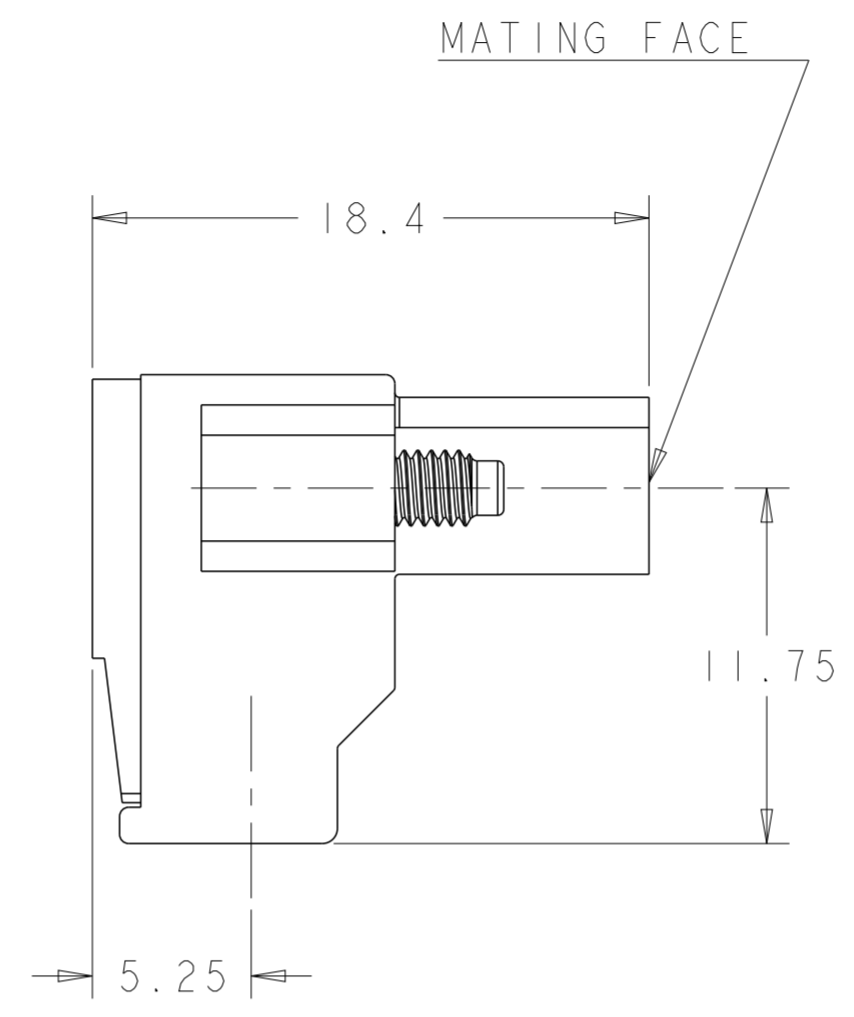
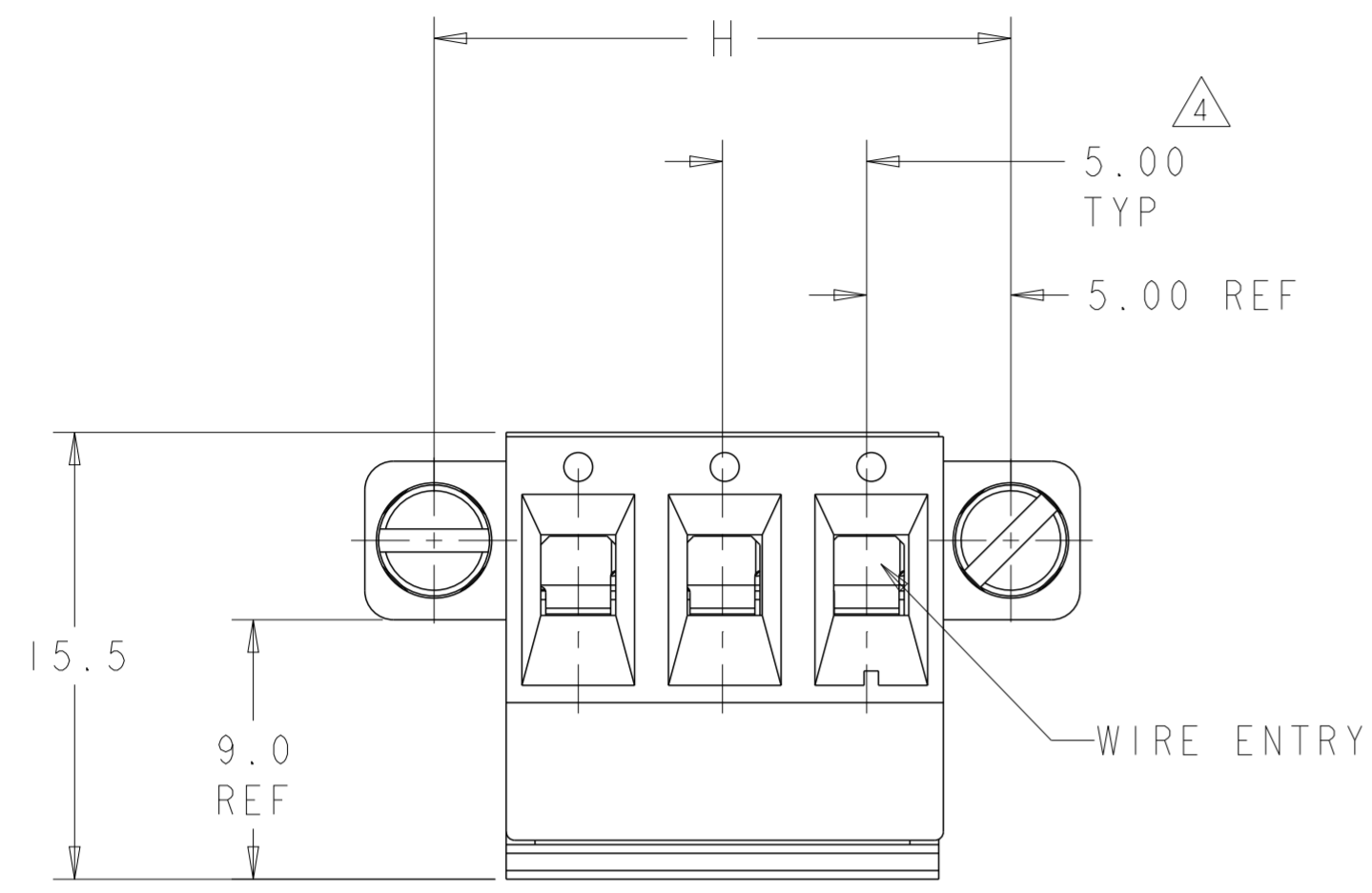
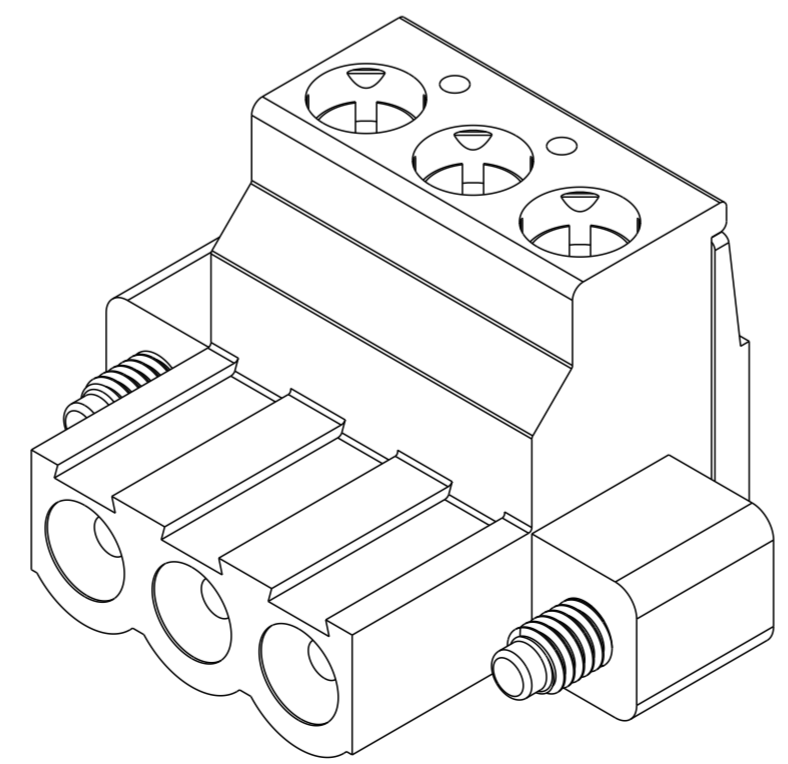


THIS DRAWING IS UNPUBLISHED. RELEASED FOR PUBLICATION 20
 © COPYRIGHT 20 BY - ALL RIGHTS RESERVED.

| REVISIONS | | | | |
|-----------|-----|--------------------------------|-----------|----------|
| P | LTR | DESCRIPTION | DATE | DWN APVD |
| | BI | NEW PN FOR 9 AND 10 POS. ADDED | 27JAN2015 | PS JK |
| | | | | |
| | | | | |



POLARIZATION KEY SLOT



NOTES:

- MATERIALS & FINISH
 HOUSING : PA6.6 , UL94 V0, COLOR -GREEN
 SCREW M3 : BRASS, NICKEL PLATED
 CLAMP : BRASS, NICKEL PLATED
 CONTACT : PHOSPHOR BRONZE , TIN PLATED
- RECOGNIZED UNDER THE COMPONENT PROGRAM OF UNDERWRITERS LABORATORIES INC. FILE No. E60677.
- IMQ CERTIFICATE WITH SURVEILLANCE ON CONFORMITY WITH IEC 998-1/998-2-1.
- NOT CUMULATIVE TOLERANCE.
- MECHANICAL
 INSERTION FORCE PER POLE : MAX 3N
 WITHDRAWAL FORCE PER POLE : MIN 1.5 N
 RECOMMENDED/ HIGHEST TIGHTENING TORQUE: 0.5/0.6 Nm
 WIRE STRIPPING LENGTH: 6.0 TO 7.5mm
- ELECTRICAL
 WIRE RANGE : 30 - 12 AWG
 MAX. VOLTAGE : 300 V
 MAX CURRENT : 15 A
 CONTACT RESISTANCE : <15 m Ohm
 INSULATION RESISTANCE : > 1000 M Ohm (500V DC)
- OPERATING TEMPERATURE RANGE: -40°C TO +110°C

| | | | |
|------|------|-------------|-------------|
| 59.8 | 55.0 | 10 | 1-796858-0 |
| 54.8 | 50.0 | 9 | 796858-9 |
| 49.8 | 45.0 | 8 | 796858-8 |
| 44.8 | 40.0 | 7 | 796858-7 |
| 39.8 | 35.0 | 6 | 796858-6 |
| 34.8 | 30.0 | 5 | 796858-5 |
| 29.8 | 25.0 | 4 | 796858-4 |
| 24.8 | 20.0 | 3 | 796858-3 |
| 19.8 | 15.0 | 2 | 796858-2 |
| L | H | NO. OF POSN | PART NUMBER |

| | | | | |
|--|--|---|---|----------------------------------|
| THIS DRAWING IS A CONTROLLED DOCUMENT. | | DWN S. WELDON 12FEB2001 | TE Connectivity NAME: TERMINAL BLOCK, PLUG, 90 DEG, WITH SCREW LOCKING FLANGE 5.00mm PITCH SIZE: A2 CAGE CODE: 00779 DRAWING NO: C-796858 RESTRICTED TO: - | |
| DIMENSIONS: mm | | CHK D. BIEVENOUR 12FEB2001 | | |
| TOLERANCES UNLESS OTHERWISE SPECIFIED: | | APVD D. BIEVENOUR 12FEB2001 | | |
| 0 PLC ± 1 PLC ±0.2 2 PLC ±0.15 3 PLC ± 4 PLC ± ANGLES ±2° FINISH | | PRODUCT SPEC: - APPLICATION SPEC: - WEIGHT: - | | |
| MATERIAL | | Customer Drawing | | SCALE: 4:1 SHEET: 1 OF 1 REV: BI |

X-ON Electronics

Largest Supplier of Electrical and Electronic Components

Click to view similar products for [Pluggable Terminal Blocks](#) category:

Click to view products by [TE Connectivity](#) manufacturer:

Other Similar products are found below :

[57.404.7553](#) [57.504.0053.7](#) [57.510.0053](#) [57.910.6153](#) [01.112.1453](#) [CTB932VE/6](#) [MC 1.5/ 6-ST-3.5 GY AU](#) [ET02015000J0G](#) [734-104](#) [734-302](#) [734-304](#) [8-141-P](#) [FKCT 2.5/ 3-ST KMGY](#) [860505](#) [860508](#) [860516](#) [860810](#) [861908](#) [GBPACX-12](#) [93.731.4953.0](#) [PV05-5,08-K](#) [PVP02-5,00](#) [PVP04-3,50](#) [PVS02-5,00](#) [1-1986160-3](#) [H-10](#) [1546228-5](#) [ELFP03110](#) [ELVP03100](#) [ELXH03100](#) [ELXP041G0](#) [ELXT046G0](#) [1700101](#) [1700410](#) [1700425](#) [1703176](#) [1703243](#) [1705229](#) [1710175](#) [1714537](#) [1717806](#) [1719600](#) [1728941](#) [1729386](#) [1734692](#) [1734795](#) [1736036](#) [1740194](#) [1740291](#) [1740628](#)