

FEATURES

- **Miniature size: 7.0mm x 5mm x 1.2mm height**
- **Gold-plated ceramic base with metal seam-welded lid**
- **To minimize EMI the whole crystal may be grounded**
- **Tight tolerance of ± 10 ppm for telecommunications use**
- **High shock and vibration resistance**
- **Ideal for PDAs, GPS, PCMCIA and hand-held equipment**

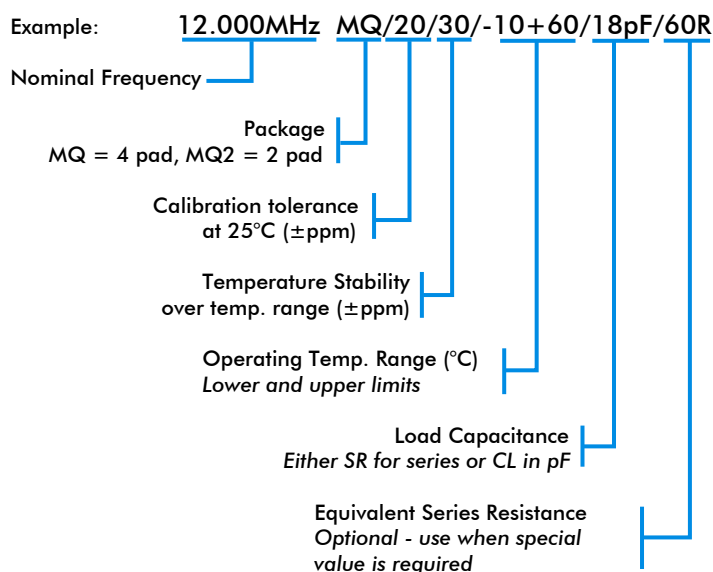
DESCRIPTION

Miniature surface-mount MQ crystals are produced using a ceramic substrate and fitted with a hermetically-sealed metal lid. The crystals are competitively priced, well-suited to mass-market electronic applications and may also be produced to close tolerances making this crystal a good choice for applications requiring low mass and tight tolerances. There are two package variants, 4 pad and two pad.

SPECIFICATION

Frequency Range	
AT-Cut Fundamental:	6.0MHz to 45.0MHz
AT-Cut 3rd Overtone:	30.0MHz to 125.0MHz
Calibration Tolerance at 25°C*:	from ± 5 ppm (± 10 , ± 20 or ± 30 ppm standard)
Frequency stability	
-10° to +60°C	from ± 5 ppm
-20° to +70°C	from ± 10 ppm
-40° to +90°C	from ± 15 ppm
-55 to +125°C	from ± 20 ppm
Storage Temperature:	-55°~+105°C
Effective Series Resistance:	See table
Shunt Capacitance (C0):	2pF to 4pF typical, 7pF maximum
Load Capacitance (CL):	Series or from 10pF to 32pF (Customer specified CL)
Ageing:	< ± 3 ppm per year at +25°C
Drive level:	100 μ W maximum
Reflow Soldering:	10s maximum, 260°C twice or 180s at 230°C, once.
Package:	Ceramic base, metal lid, Hermetic seal
Packaging:	16mm EIA tape and reel 1000 pieces per reel

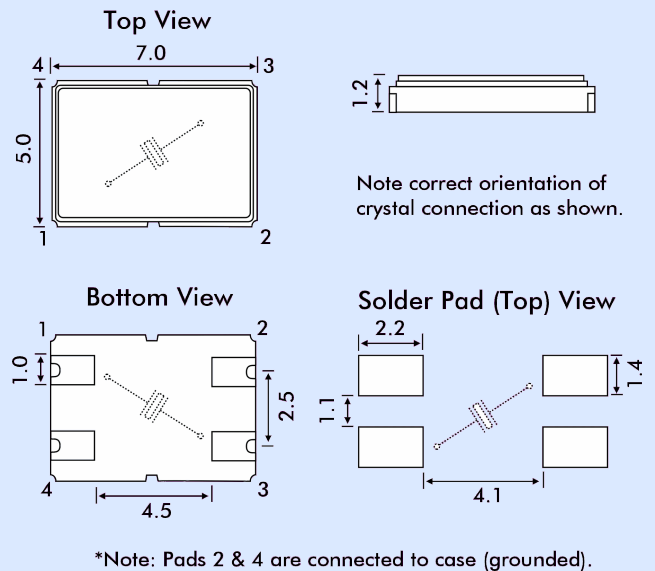
PART NUMBER GENERATION



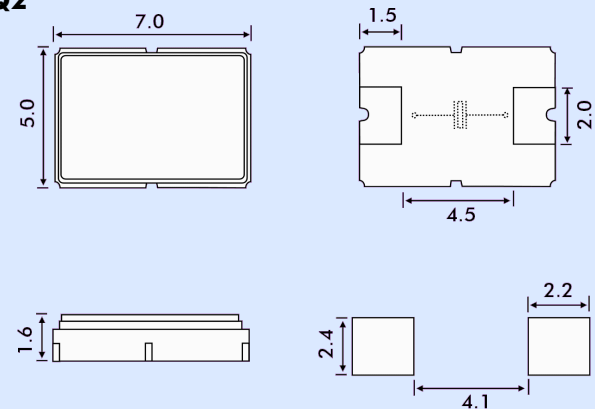
OUTLINE & DIMENSIONS



MQ



MQ2



EFFECTIVE SERIES RESISTANCE

Frequency Range MHz	Crystal Cut/ Mode	ESR Ω Max.
6.0 ~ 11.0	AT Fund.	60
11.1 ~ 14.0	AT Fund.	50
14.1 ~ 45.0	AT Fund.	40
30.0 ~ 40.0	AT 3rd OT	100
40.1 ~ 50.0	AT 3rd OT	80
50.1 ~ 125	AT 3rd OT	90

X-ON Electronics

Largest Supplier of Electrical and Electronic Components

Click to view similar products for [euroquartz manufacturer](#):

Other Similar products are found below :

[20.000MHZ 49USMX/30/50/40/18PF/ATF](#) [24.000MHZ MJ/30/30/40/12PF](#) [14.31818MHZ 49USMX/30/50/40/18PF/ATF](#) [16.000MHZ 49USMX/30/50/40/18PF/ATF](#) [4.194304MHZ 49USMX/30/50/40/18PF/ATF](#) [16.384MHZ HC49/4H/30/50/40/18PF/ATF](#) [8.000MHZ HC49/4H/30/50/40/18PF/ATF](#) [18.432MHZ HC49/4H/30/50/40/18PF/ATF](#) [27.000MHZ HC49/4H/30/50/40/18PF/ATF](#) [24.576MHZ MJ/30/30/40/12PF](#) [48.000MHZ XO91050UITA](#) [3.57954MHZ HC49/4H/30/50/40/18PF/ATF](#) [6.000MHZ HC49/4H/30/50/40/18PF/ATF](#) [MH32768C](#) [16.000MHZ XO53050UITA](#) [11.0592MHZ MJ/30/30/40/12PF](#) [12.000MHZ XO53050UITA](#) [10.000MHZ 49USMX/30/50/40/18PF/ATF](#) [6.000MHZ MQ/30/30/-40+90/12PF](#) [4.000MHZ 49USMX/30/50/40/18PF/ATF](#) [32.000MHZ XO53050UITA](#) [12.000MHZ MQ/30/30/40/12PF](#) [25.000MHZ HC49/4H/30/50/40/18PF/ATF](#) [4.19430MHZ HC49/4H/30/50/40/18PF/ATF](#) [27.000MHZ 49USMX/30/50/40/18PF/ATF](#) [14.3181MHZ HC49/4H/30/50/40/18PF/ATF](#) [16.000MHZ MJ/30/30/40/12PF](#) [12.000MHZ 49USMX/30/50/40/18PF/ATF](#)