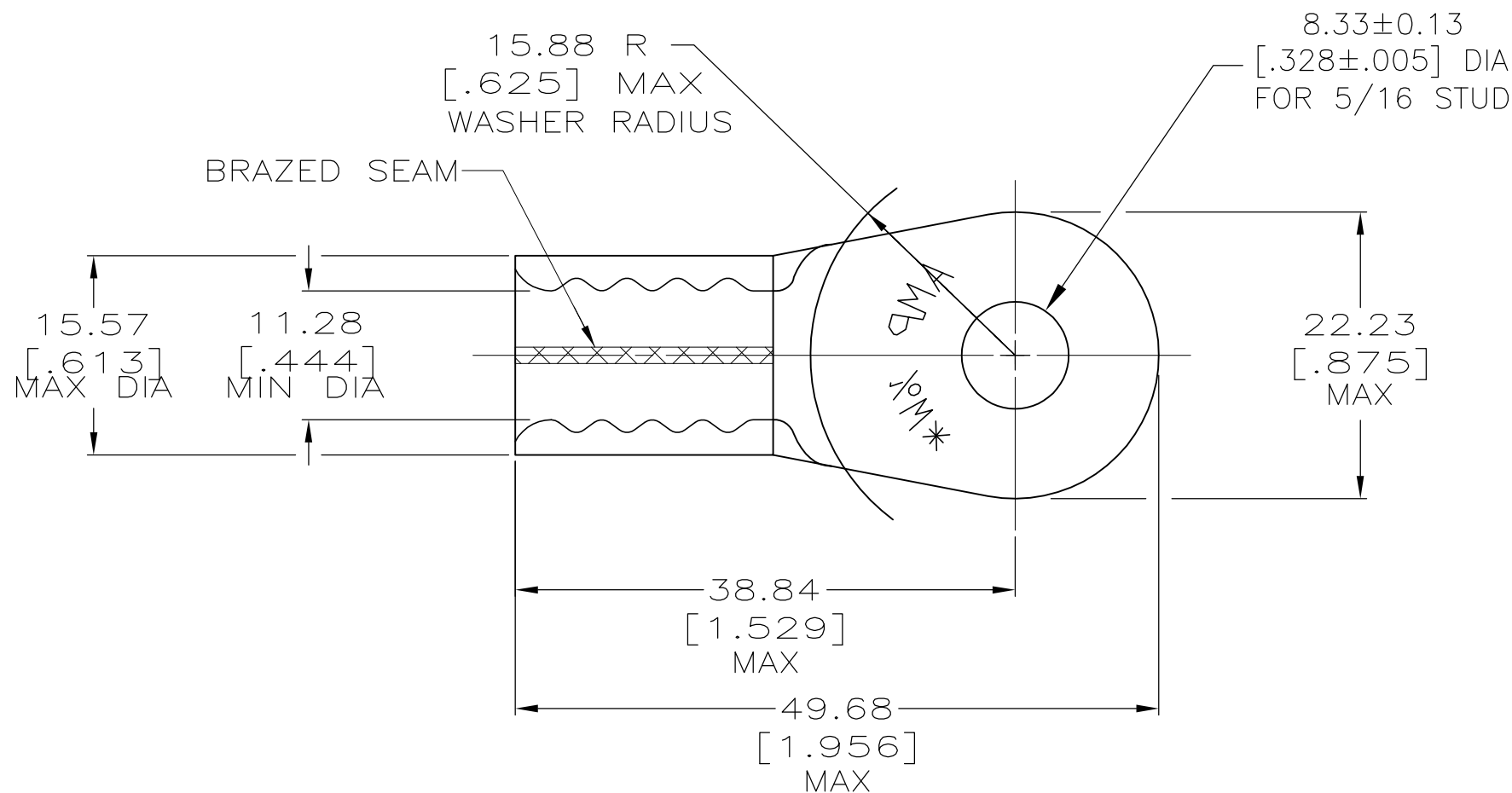


THIS DRAWING IS UNPUBLISHED. RELEASED FOR PUBLICATION
 © COPYRIGHT BY TYCO ELECTRONICS CORPORATION. ALL INTERNATIONAL RIGHTS RESERVED.

LOC	DIST	REVISIONS					
G	14	P	LTR	DESCRIPTION	DATE	DWN	APVD
		J2		REV PER ECR 09-017201	30JUL09	JR	TM

AMP WIRE RANGE	E13288 Listed	LR7189 Certified
1/0 AWG SOLID OR STRANDED	1/0 AWG SOLID OR STRANDED	1/0 AWG SOLID OR STRANDED



1 TIN PL 0.00254 [.000100] MIN THK PER ASTM B-545

25	SMALL	1	COPPER ASTM B-152 1.78 ±0.08 [.070 ±.003] ANNEALED	8-36916-3
50	STANDARD			36916
QTY	PACKAGE TYPE	FINISH	MATERIAL	PART NO.

MAX RECOMMENDED OPERATING TEMPERATURE: 170°C MAX	THIS DRAWING IS A CONTROLLED DOCUMENT.		DWN DK SCHRUM 7/2/91	Tyco Electronics Corporation Harrisburg, PA 17105-3608						
	VOLTAGE RATING: N/A	DIMENSIONS: MM [INCHES]	TOLERANCES UNLESS OTHERWISE SPECIFIED:				CHK RD HEIM 8/15/91	APVD AJ KAUFMAN 8/16/91	NAME TERMINAL, RING TONGUE, SOLISTRAND, WIRE SIZE: 50.0mm ² [1/0] AWG	
CIRCULAR MIL AREA: 42.4-60.6mm ² [83,700-119,500] SOLID OR STRANDED		0 PLC ± - 1 PLC ± - 2 PLC ± 0.20 [.008] 3 PLC ± - 4 PLC ± - ANGLES ± -	PRODUCT SPEC -	APPLICATION SPEC -	WEIGHT -	RESTRICTED TO -				
	MATERIAL SEE TABLE	FINISH SEE TABLE	CUSTOMER DRAWING		SIZE A3	CAGE CODE 00779	DRAWING NO C-36916	SCALE 2:1	SHEET 1 OF 1	REV J2

X-ON Electronics

Largest Supplier of Electrical and Electronic Components

Click to view similar products for [Terminals](#) category:

Click to view products by [TE Connectivity](#) manufacturer:

Other Similar products are found below :

[HT-13-10](#) [71M-250-32-NB](#) [01-2065-1-0216](#) [00581P0075](#) [M10-10RX](#) [M10BCK](#) [60205-1](#) [604200-1](#) [60598-1-CUT-TAPE](#) [60617-1-C](#) [60873-1](#) [M14-516R/SK](#) [M14-6RSX](#) [M18-10FLX](#) [M18-8FBX](#) [M18-8R/LX](#) [M18BCK](#) [61314-6-C](#) [61-S](#) [61-SN-A](#) [62-NBM-A](#) [63-S](#) [640179-1](#) [640917-2-CUT-TAPE](#) [6501550002](#) [66107-2-C](#) [696683-1](#) [696834-1](#) [696861-1](#) [696931-1](#) [696999-1](#) [M8-516RK](#) [M86700006](#) [MA250DMFMX-A](#) [701-2007](#) [701-2307](#) [701-7761-03](#) [70F-110-32-PB](#) [718-N-A](#) [71M-187-20-NBL](#) [71M-250-32-NBL](#) [72F-187-20-NBL](#) [72M-250-32-NBL](#) [7310](#) [73F-250-32](#) [73F-250-32-NBL](#) [73F-250-32-NL](#) [F14-10C](#) [F-1M](#) [751-250](#)