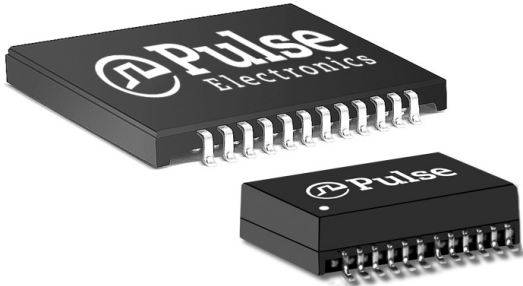


1000Base-T Low Profile Magnetics Module

Designed to Support 1:1 Turns Ratios Receivers



- RoHS-6 peak reflow temperature rating 245°C
- Low profile package for mobile computer applications
- Compliant with IEEE 802.3ab standard

Electrical Specifications @ 25°C - Operating Temperature 0°C to 70°C

Part Number ¹	Insertion Loss (dB MAX)	Return Loss (dB MIN @ 100Ω)		Differential to Common Mode Rejection (dB MIN)	Crosstalk (dB MIN)	Hipot (Vrms MIN)
	1-100 MHz	1-40 MHz	40-100 MHz	30-100 MHz	30-100 MHz	
H5019NL ⁴	-1.0	-18	-12 + 20*LOG10 (f/80)	-43 + 22*LOG10 (f/30)	-55 + 24*LOG10 (f/10)	1500
H5019BNL ⁴	-1.0	-18	-12 + 20*LOG10 (f/80)	-43 + 22*LOG10 (f/30)	-55 + 24*LOG10 (f/10)	1500
HX5019BNL ^{3,4}	-1.0	-18	-12 + 20*LOG10 (f/80)	-43 + 22*LOG10 (f/30)	-55 + 24*LOG10 (f/10)	1500
HX5180NL ³	-1.0	-18	-12 + 20*LOG10 (f/80)	-43 + 22*LOG10 (f/30)	-55 + 24*LOG10 (f/10)	1500

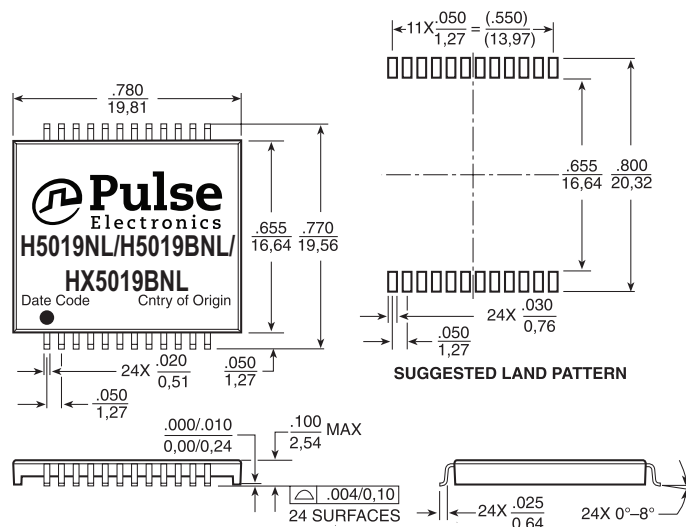
Notes:

- For Tape & Reel packaging, add a "T" suffix at the end of the part number, e.g. H5019NLT.
- MSL: Moisture Sensitivity Level = 1
- Extended Temperature: -40°C to +85°C
- Not for sale in U.S.

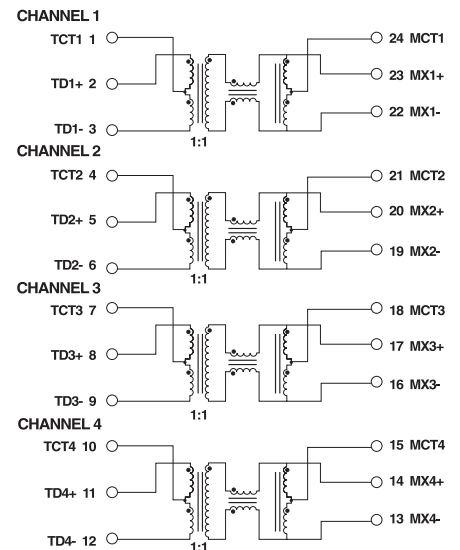
Mechanicals

Schematic

H5019NL/H5019BNL/HX5019BNL



H5019NL



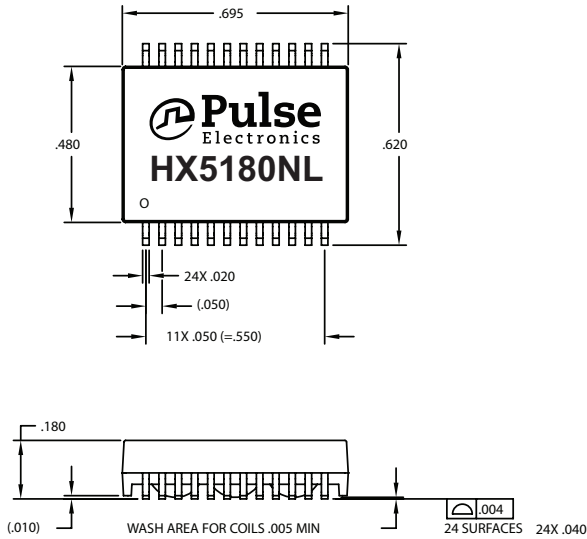
1000Base-T Low Profile Magnetics Module

Designed to Support 1:1 Turns Ratios Receivers

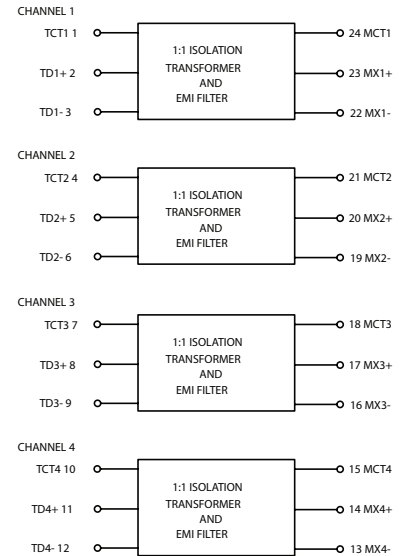
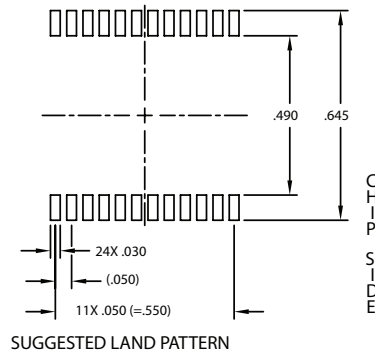
Mechanicals

Schematic

HX5180NL



H501BNL/HX5019BNL/HX5180NL



M E D I A S I D E

UNLESS OTHERWISE SPECIFIED, ALL DIMENSIONS ARE IN INCHES
 TOLERANCES ARE:

DECIMALS	ANGLES
.XX ±.01	± 1°
.XXX ±.005	

For More Information

Pulse Worldwide Headquarters
 12220 World Trade Drive
 San Diego, CA
 92128
 U.S.A.

Tel: 858 674 8100

Pulse Europe
 Einsteinstrasse 1
 D-71083 Herrenberg
 Germany

Tel: 49 7032 7806

Pulse China Headquarters
 B402, Shenzhen Academy of
 Aerospace Technology Bldg.
 10th Kejinan Road
 High-Tech Zone
 Nanshan District
 Shenzhen, PR China
 518057

Pulse North China
 Room 2704/2705
 Super Ocean Finance
 Ctr.
 2067 Yan An Road
 West
 Shanghai 200336
 China

Pulse South Asia
 135 Joo Seng Road
 #03-02
 PM Industrial Bldg.
 Singapore 368363

Tel: 65 6287 8998
 Fax: 65 6287 8998

Pulse North Asia
 3F, No. 198
 Zhongyuan Road
 Zhongli City
 Taoyuan County 320
 Taiwan R. O. C.
 Tel: 886 3 4356768
 Fax: 886 3 4356823
 (Pulse)

Performance warranty of products offered on this data sheet is limited to the parameters specified. Data is subject to change without notice. Other brand and product names mentioned herein may be trademarks or registered trademarks of their respective owners. © Copyright, 2013. Pulse Electronics, Inc. All rights reserved.

X-ON Electronics

Largest Supplier of Electrical and Electronic Components

Click to view similar products for [Audio Transformers](#) / [Signal Transformers](#) category:

Click to view products by [Pulse manufacturer](#):

Other Similar products are found below :

[749023020](#) [CU4S0506AT-2655-H1](#) [MET-58](#) [PE-64961](#) [H5008FNL](#) [H5020FNLT](#) [H5079NLT](#) [1879479-1](#) [1879564-1](#) [PA1277NLT](#)
[PA1528ANL](#) [PA2007NLT](#) [FL1066](#) [T1137NLT](#) [T3012NL](#) [PE-65812FNL](#) [TTC-100](#) [TTC-143-H](#) [TTC-5032-1](#) [HX1234NLT](#) [HX5008FNLT](#)
[100B-1001XNL](#) [PA1282NLT](#) [HX5084FNL](#) [T1108NLT](#) [2-1879391-5](#) [TTC-266-2](#) [3-1879385-4](#) [PA1032NL](#) [H2009FNLT](#) [PA0801NLT](#)
[TTC-266](#) [X-1619](#) [SM51295PEL](#) [T5008NLT](#) [PE-68517T](#) [HX1294NLT](#) [HX5084FNLT](#) [H5015FNLT](#) [H6080NLT](#) [CX2024NL](#) [HX1294FNLT](#)
[TX1473NLT](#) [PE-69011NLT](#) [CX2047LNLT](#) [CX2043LNLT](#) [DCT20EFD-U32S003](#) [H5120NLT](#) [H7137FNLT](#) [H1259NLT](#)