

AC Cooling Fan AC 3.5E



SIZE :

92x92x38mm (3.62"x3.62"x1.50")

CONSTRUCTION :

- All metal
- Die-cast aluminum housing
- Metal impeller
- Shaded pole motor
- Impedance protected
- Leader wire available

OPERATING TEMPERATURE :

Ball bearing - 30°C to +75°C

Sleeve bearing - 10°C to +70°C

WEIGHT :

470 grams

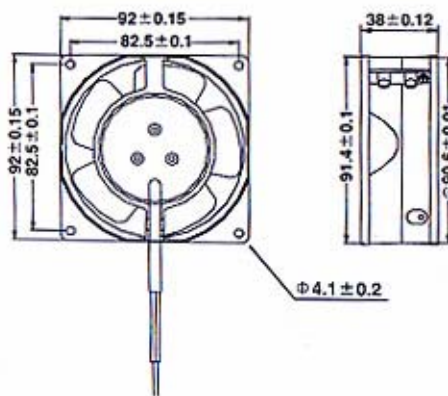


Specifications

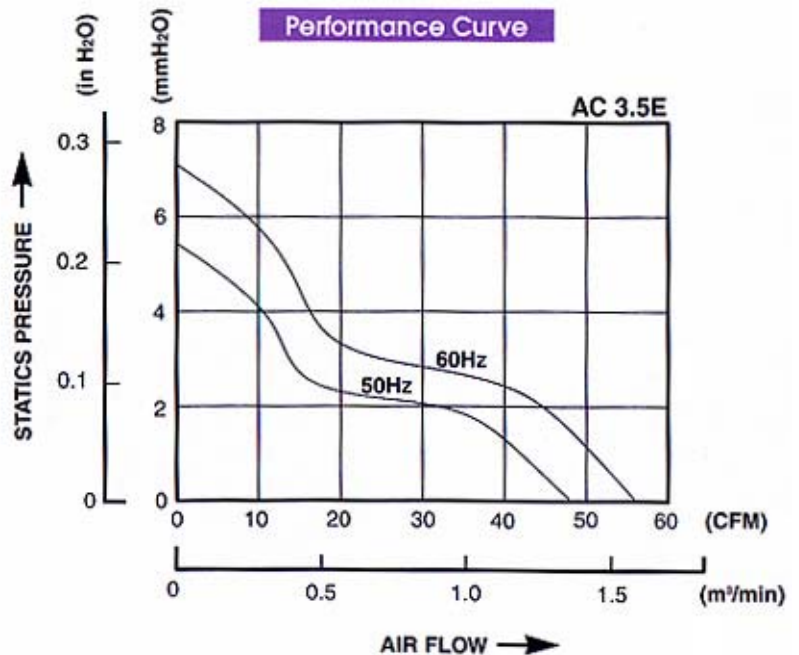
Specifications are subject to change without notice

MODEL NO.	BEARING	RATED VOLTAGE	FREQUENCY	MAX. RATED CURRENT	MAX. INPUT POWER	SPEED	MAX. AIR FLOW		MAX. AIR PRESSURE		NOISE
		VAC	Hz	mA	W	R.P.M.	m ³ /min	CFM	mmH ₂ O	IN H ₂ O	
3.5E-115HB	Ball	115	50/60	250/240	16/14	2600/3000	1.33/1.56	47/55	5.4/6.9	0.21/0.27	38/43
3.5E-115HS	Sleeve										
3.5E-230HB	Ball	230	50/60	220/200	16/14	2600/3000	1.33/1.56	47/55	5.4/6.9	0.21/0.27	38/43
3.5E-230HS	Sleeve										
3.5E-DVB	Ball	230/115	50/60	150/240	16/14	2600/3000	1.33/1.56	47/55	5.4/6.9	0.21/0.27	38/43
3.5E-DVS	Sleeve										

Dimensions (mm)



Performance Curve



X-ON Electronics

Largest Supplier of Electrical and Electronic Components

Click to view similar products for [bi-sonic manufacturer](#):

Other Similar products are found below :

[9P-230LS-T](#) [8P-230LS-T](#) [4C-230HB-T](#) [BP1202524M-W](#) [BP501012M-W](#) [8P-230HB-T](#) [BP1203824H-03-W](#) [8P-230HS-W](#) [BP601012M-W](#)
[BP1202524H-W](#) [BP802512H-03-W](#) [4E-230S-17-T](#) [4C-230HB-W](#) [BP1202512H-W](#) [12P-230HB-T](#) [BP922524H-W](#) [SP802512H-03-W](#)
[BP402012H-W](#) [SP402012M-W](#) [BP401005H-W](#) [BP401012M-W](#) [BP402024H-W](#) [BP802524HL-03](#) [BP402024M-W](#) [BP922524M-W](#) [5E-](#)
[230B-W](#) [SP802524H-03-W](#) [5E-DVB-1-W](#) [BP602524H-03-W](#)