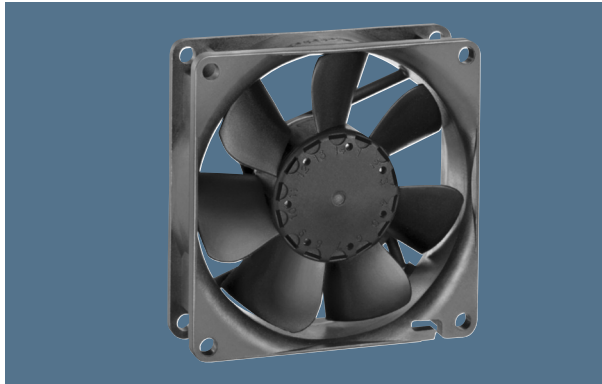


max. 79 m³/h

DC axial fans

Series 8400 N 80 x 80 x 25 mm



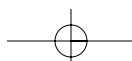
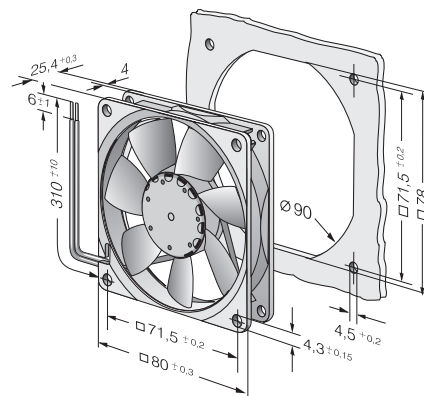
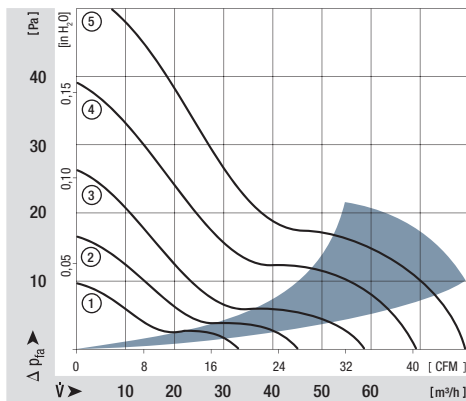
Highlights:

- Ball bearings and sleeve bearings available.
- Some models suitable for use at high ambient temperatures up to 85 °C.

General characteristics:

- Material: fibreglass-reinforced plastic. Impeller PA, housing PBT.
- Fully integrated electronic commutation.
- Protected against reverse polarity and locking.
- Connection via single strands AWG 24, TR 64. Bared and tin-plated.
- Air exhaust over struts. Direction of rotation counter-clockwise, seen on rotor.
- Mass: 95 g.

Nominal data	Air flow		Nominal voltage	Voltage range	Sound pressure level	Sound power level	Sinter sleeve bearings Ball bearings	Power input	Nominal speed	Temperature range	Service life L ₁₀ (40 °C) ebm-papst Standard	Service life L ₁₀ (T _{max}) ebm-papst Standard	Life expectancy L ₁₀ ^Δ (40 °C) see P. 15	Curve	Specials
	Type	m ³ /h													
8412 NGLE	33	19,4	12	8...15	12	3,5	□	0,5	1 500	-20...+85	80 000 / 27 500	160 000	160 000	1	/2
8412 NLE	33	19,4	12	8...15	17	3,7	■	0,3	1 500	-20...+85	80 000 / 27 500	160 000	160 000	1	
8412 NGMLE	45	26,5	12	8...15	19	3,9	□	0,9	2 050	-20...+80	80 000 / 32 500	160 000	160 000	2	
8412 NMLE	45	26,5	12	8...15	21	4,0	■	0,6	2 050	-20...+85	80 000 / 27 500	160 000	160 000	2	
8412 NGME	58	34,1	12	8...15	26	4,3	□	1,4	2 600	-20...+75	80 000 / 35 000	160 000	160 000	3	/2
8412 NME	58	34,1	12	8...15	27	4,4	■	1,0	2 600	-20...+75	80 000 / 35 000	160 000	160 000	3	
8412 NG	69	40,6	12	8...15	32	4,7	□	2,0	3 100	-20...+70	70 000 / 35 000	140 000	140 000	4	/2
8412 N	69	40,6	12	8...15	32	4,7	■	2,0	3 100	-20...+70	70 000 / 35 000	140 000	140 000	4	/2
8412 NH	79	46,5	12	8...13,2	37	5,0	■	2,2	3 600	-20...+70	70 000 / 35 000	140 000	140 000	5	/2/12
8412 NH-217	79	46,5	12	8...15	37	5,0	■	2,4	3 600	-20...+70	70 000 / 35 000	140 000	140 000	5	
8414 NGL	33	19,4	24	18...28	12	3,5	□	0,7	1 500	-20...+70	80 000 / 40 000	160 000	160 000	1	/2
8414 NL	33	19,4	24	18...28	17	3,7	■	0,7	1 500	-20...+70	80 000 / 40 000	160 000	160 000	1	
8414 NGML	45	26,5	24	18...28	19	3,9	□	1,1	2 050	-20...+70	80 000 / 40 000	160 000	160 000	2	
8414 NML	45	26,5	24	18...28	21	4,0	■	1,1	2 050	-20...+70	80 000 / 40 000	160 000	160 000	2	
8414 NGM	58	34,1	24	18...28	26	4,3	□	1,4	2 600	-20...+70	80 000 / 40 000	160 000	160 000	3	/2
8414 NM	58	34,1	24	18...28	27	4,4	■	1,4	2 600	-20...+70	80 000 / 40 000	160 000	160 000	3	
8414 NG	69	40,6	24	18...28	32	4,7	□	2,0	3 100	-20...+70	70 000 / 35 000	140 000	140 000	4	/2
8414 N	69	40,6	24	18...28	32	4,7	■	2,0	3 100	-20...+70	70 000 / 35 000	140 000	140 000	4	/2
8414 NH	79	46,5	24	18...26	37	5,0	■	2,4	3 600	-20...+70	70 000 / 35 000	140 000	140 000	5	/2
8414 NH-221	79	46,5	24	18...28	37	5,0	■	2,4	3 600	-20...+70	70 000 / 35 000	140 000	140 000	5	
8418 N	69	40,6	48	36...56	32	4,7	■	2,0	3 100	-20...+70	70 000 / 35 000	140 000	140 000	4	



X-ON Electronics

Largest Supplier of Electrical and Electronic Components

Click to view similar products for [DC Fans](#) category:

Click to view products by [ebm papst](#) manufacturer:

Other Similar products are found below :

[614R](#) [6424/2HP-210](#) [8312R](#) [DV4118/2NP-183](#) [AFB0948HH-S687](#) [PFB0824DHE-8B72](#) [G2E085-AA05-10](#) [RD20S-4/210660](#) [4318/12T](#)
[4418HH](#) [AUB0912H-F00](#) [3412N/2ME](#) [K2E225-RA92-09](#) [4184N/2XR](#) [5214N2HH](#) [614J2HHPR-010](#) [8412NGL-12](#) [4114N/12HHR-297](#)
[4656](#) [ZWR-903](#) [4112N12GL-175](#) [KD2406PKB2.\(2\).GN](#) [AFB1248HHE](#) [AFB1212LE-F00](#) [FAN-SCH-1](#) [MF60151V1-1000U-G99](#)
[PF80252V1-1000U-G99](#) [PF92252V1-1000U-G99](#) [4112N/2H6P](#) [4114N/17-251](#) [6212NH](#) [622/2N](#) [712F-011](#) [8218J/2NP-181](#) [W1G180-AB47-](#)
[15](#) [FAA1-12038NBKW31-A](#) [6318N/2TDP](#) [6318N/2H3PU](#) [6318HU](#) [424JMU](#) [PMD1206PTVX-A.U.GN](#) [PF80251B2-000U-F99](#)
[EF40101BX-1000U-G99](#) [AD1224LB-A71GL](#) [9GA0924L4021](#) [9GA0924M4021](#) [9GA0924M4011](#) [9GA0824B20011](#) [9GA0812A2D0011](#)
[9GA0912M4D011](#) [9GA0924W4D01](#)