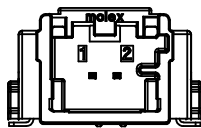


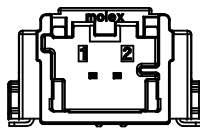
2 CKT SMT HEADER  
POLARIZATION OPTION A

TIN P/N: 34912-8020  
GOLD P/N: 34912-6020



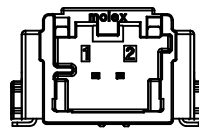
2 CKT SMT HEADER  
POLARIZATION OPTION B

TIN P/N: 34912-8021  
GOLD P/N: 34912-6021



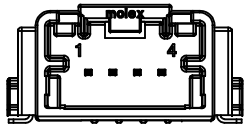
2 CKT SMT HEADER  
POLARIZATION OPTION C

TIN P/N: 34912-8022  
GOLD P/N: 34912-6022



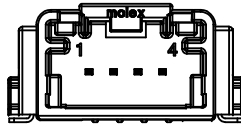
2 CKT SMT HEADER  
POLARIZATION OPTION D

TIN P/N: 34912-8021  
GOLD P/N: 34912-6021



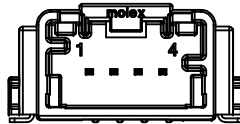
4 CKT SMT HEADER  
POLARIZATION OPTION A

TIN P/N: 34912-8040  
GOLD P/N: 34912-6040



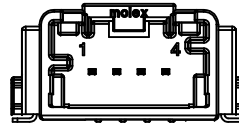
4 CKT SMT HEADER  
POLARIZATION OPTION B

TIN P/N: 34912-8041  
GOLD P/N: 34912-6041



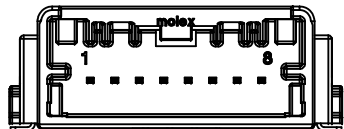
4 CKT SMT HEADER  
POLARIZATION OPTION C

TIN P/N: 34912-8042  
GOLD P/N: 34912-6042



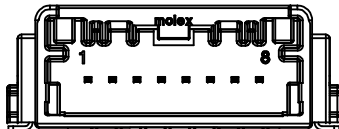
4 CKT SMT HEADER  
POLARIZATION OPTION D

TIN P/N: 34912-8043  
GOLD P/N: 34912-6043



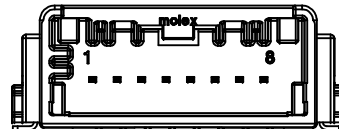
8 CKT SMT HEADER  
POLARIZATION OPTION A

TIN P/N: 34912-8080  
GOLD P/N: 34912-6080



8 CKT SMT HEADER  
POLARIZATION OPTION B

TIN P/N: 34912-8081  
GOLD P/N: 34912-6081



8 CKT SMT HEADER  
POLARIZATION OPTION C

TIN P/N: 34912-8082  
GOLD P/N: 34912-6082

NOTES: VALID UNLESS OTHERWISE SPECIFIED

1. GENERAL:

- a. APPLICATION SPECIFICATION SEE: AS-34791-020
- b. PRODUCT SPECIFICATION SEE: PS-34791-020
- c. PACKAGING SPECIFICATION PER MOLEX DRAWING; SEE CHART
- d. SOLDERABILITY PER SMES-152
- e. PARTS MUST BE IN COMPLIANCE TO MOLEX CHEMICAL SUBSTANCES FOR PRODUCTS AND PACKAGING SPECIFICATION: OEHS-699000-300
- f. DATA MUST BE SUBMITTED UNDER THE MOLEX PART NUMBER TO IMDS (COMPANY ID#13255)
- g. FLAMMABILITY REQUIREMENT: PER ISO3795 OR GM3191
- h. VISUAL DEFECTS SHALL MEET COSMETIC STANDARD PS-45499-002 (Class B)

2. DESIGN - MATERIALS:

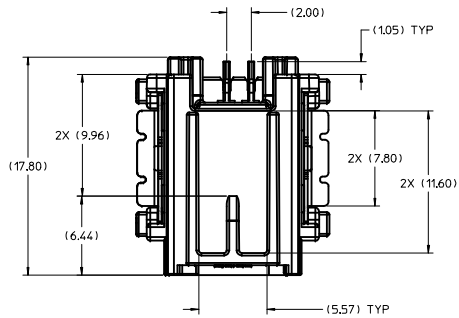
- a. SHROUD (PLASTIC HOUSING): SPS 30% GF, 20% REGRIND MAX PER WEIGHT
- b. BLADES:
  - BASE METAL: C260 BRASS
  - PLATING REQUIREMENTS:
    - TIN OVER NICKEL:
      - UNDERPLATING:
        - OVERALL NICKEL
        - OVERPLATING:
          - OVERALL TIN
    - GOLD:
      - UNDERPLATING: OVERALL NICKEL
      - OVERPLATING:
        - CONTACT AREA: GOLD
        - GRIP AREA: TIN

3. DESIGN - GEOMETRY:

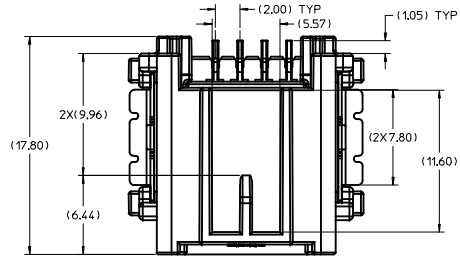
- a. THIS IS A 100% CAD GENERATED PART. THE CAD MATHEMATICAL DATA IS THE MASTER FOR THIS PART. FOR DIMENSIONAL OR ANY INFORMATION NOT SHOWN ON THIS DRAWING, ANALYZE THE CAD MODEL.
- b. GEOMETRIC DIMENSIONS AND TOLERANCES PER ASME Y14.5M - 2009
- c. GENERAL TOLERANCES: SEE TITLE BLOCK
- d. EDGES AND UNDIMENSIONED DETAILS PER ISO13715
- e. CORNERS SHOWN AS SHARP TO BE R 0.1 MAX
- f. LETTERING SHALL BE 0.10 MAX RAISED. THIS INCLUDES RECYCLING CODE, PLANT AND CAVITY ID, VENDOR ID, AND CIRCUIT ID.
- g. TRACEABILITY TO BE MARKED IN AREA SHOWN. MARK IS CODED AS FOLLOWS:
  - ROW 1 (XXXXX): MOLEX SINGLE ROW SMT HEADER SERIES NUMBER (34912)
  - ROW 2 (HHDDYY):
    - 1ST & 2ND DIGITS: HOUR OF ASSEMBLY (24 HOUR CLOCK)
    - (EXAMPLE: 15:00 -> '15', 7:00 -> '07')
    - 3RD THRU 5TH DIGITS: JULIAN DATE (EXAMPLE: FEBRUARY 3RD -> '034')
    - 6TH & 7TH DIGITS: LAST 2 DIGITS OF CALENDAR YEAR (EXAMPLE: 2013 -> '13')

ADDED 2 WAY EC NO: JAU2016-0722 DRWN: KEWITT CHKD: APPR: BALMAIN 2015/11/11	QUALITY SYMBOLS	GENERAL TOLERANCES (UNLESS SPECIFIED)	DIMENSION STYLE	SCALE	DESIGN UNITS	THIRD ANGLE PROJECTION
	$\nabla=0$	4 PLACES ± mm INCH	MM ONLY	5:1	METRIC	①
	$\nabla=0$	3 PLACES ± 0.10	DATE: 2012/05/23	TITLE: 2, 4, 8 CKT MINI 50 SMT ASSEMBLY SALES DRAWING		
$\nabla=0$	2 PLACES ± 0.20	1 PLACE ± 0.20	DATE: 2012/06/01			
REV	DESCRIPTION	ANGULAR ± 1 °	MATERIAL NO.	DOCUMENT NO.		SHEET NO.
		DRAFT WHERE APPLICABLE MUST REMAIN WITHIN DIMENSIONS	SEE TABLE	SD-34912-001		1 OF 5
THIS DRAWING CONTAINS INFORMATION THAT IS PROPRIETARY TO MOLEX INCORPORATED AND SHOULD NOT BE USED WITHOUT WRITTEN PERMISSION						

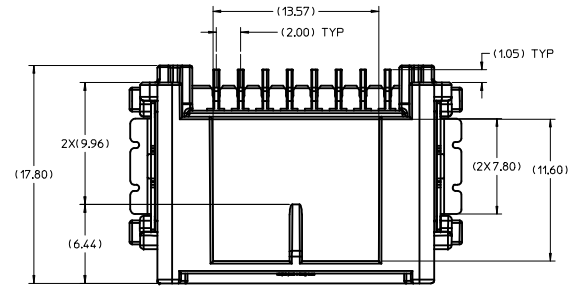
### 2 CKT SMT HEADER



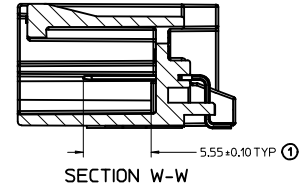
### 4 CKT SMT HEADER



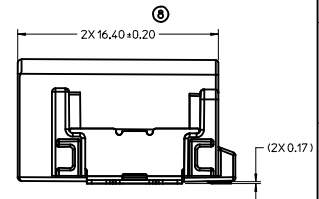
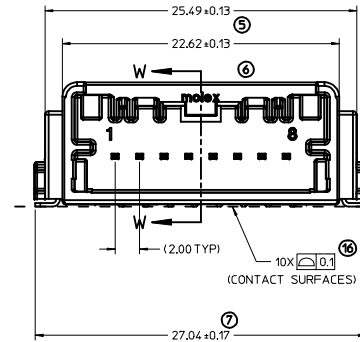
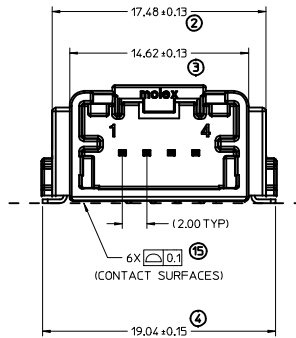
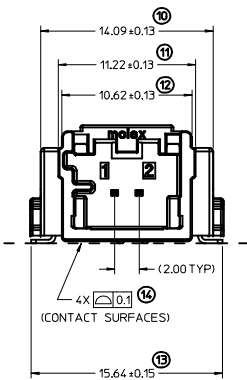
### 8 CKT SMT HEADER



### HEADER TO PCB FLUSH MOUNT



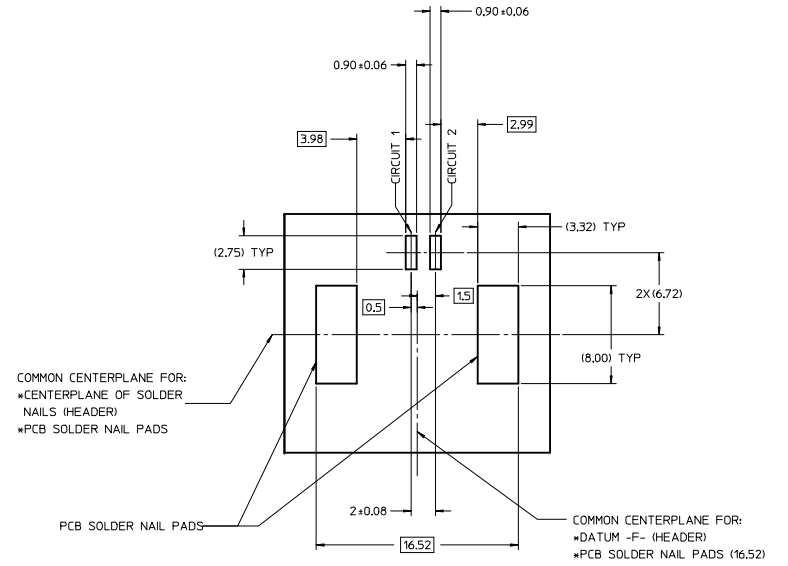
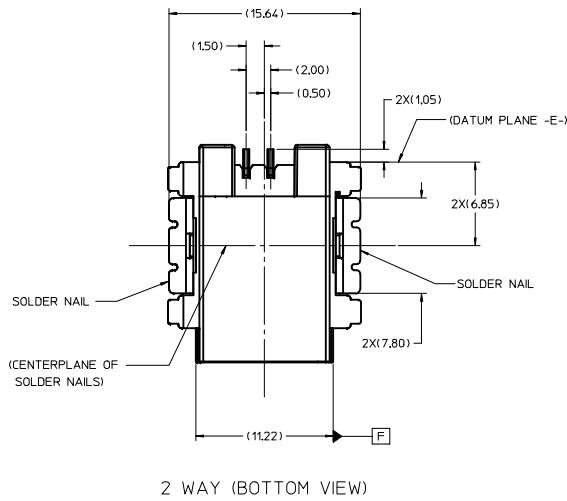
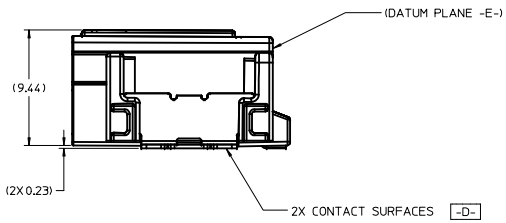
SECTION W-W



<b>ADDED 2 WAY</b> EC NO: UAU2016-0722 DRAWN BY: DRANKHEWITT CHYK: APPR: BRALMAN 2015/11/11	QUALITY SYMBOLS	GENERAL TOLERANCES (UNLESS SPECIFIED)	DIMENSION STYLE	SCALE	DESIGN UNITS	THIRD ANGLE PROJECTION
	▽=0	mm	MM ONLY	5:1	METRIC	☉
	▽=0	INCH				
	▽=0					
	4 PLACES ±		DRAWN BY	DATE	TITLE	
	3 PLACES ±		MYOUNG01	2012/05/23	2, 4, 8 CKT MINI 50 SMT ASSEMBLY SALES DRAWING	
	2 PLACES ±0.10		CHECKED BY	DATE		
	1 PLACE ±0.20		APPROVED BY	DATE		
	0 PLACE ±		SMARCEAU	2012/06/01		
		ANGULAR ± 1°	MATERIAL NO.	DOCUMENT NO.		
		DRAFT WHERE APPLICABLE MUST REMAIN WITHIN DIMENSIONS	SEE TABLE	SD-34912-001		
			SIZE	THIS DRAWING CONTAINS INFORMATION THAT IS PROPRIETARY TO MOLEX INCORPORATED AND SHOULD NOT BE USED WITHOUT WRITTEN PERMISSION		

RECOMMENDED PCB LAYOUT:

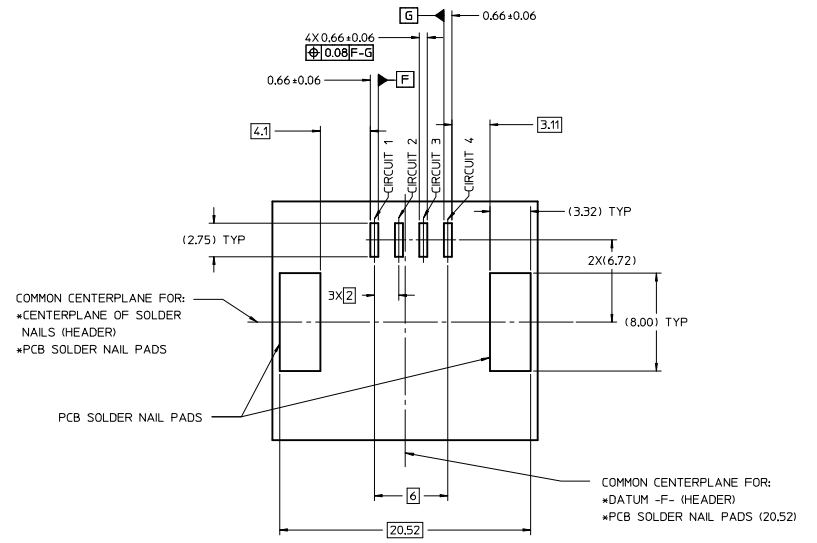
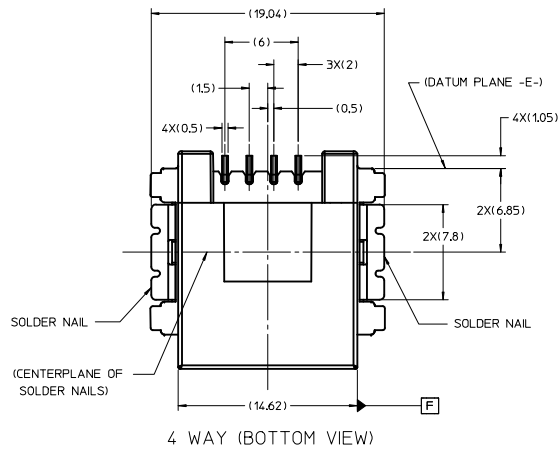
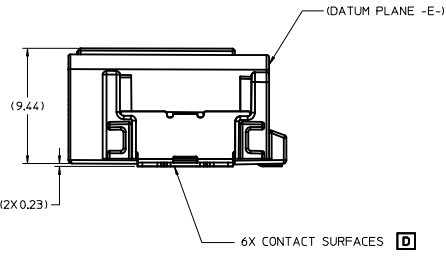
2 WAY:



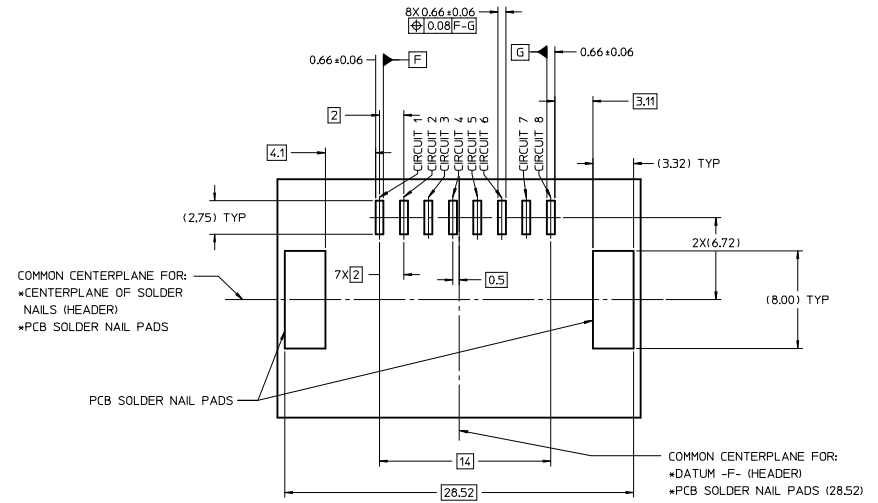
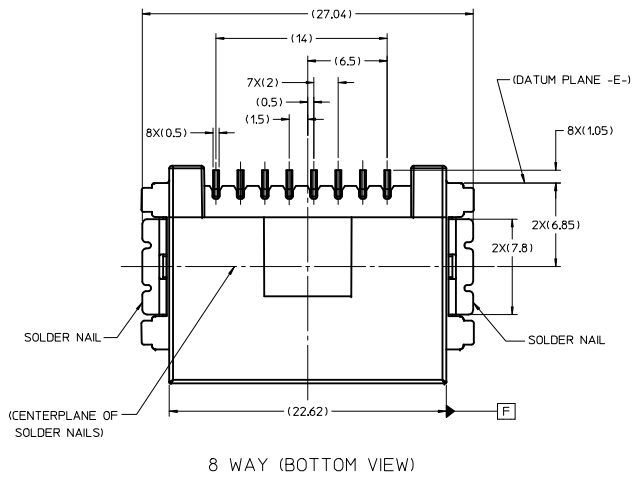
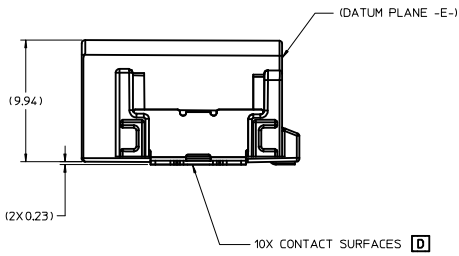
ADDED 2 WAY IEC NO: UAU2016-0722 DRAWN BY: DRINKHEWITT CHYK: 2015/11/06 APPR: BRALMAN 2015/11/11	QUALITY SYMBOLS	GENERAL TOLERANCES (UNLESS SPECIFIED)	DIMENSION STYLE	SCALE	DESIGN UNITS	THIRD ANGLE PROJECTION
	∇=0 ∇=0 ∇=0	4 PLACES ± mm 3 PLACES ± mm 2 PLACES ± 0.10 1 PLACE ± 0.20 0 PLACE ± mm	MM ONLY	5:1	METRIC	DRAWN BY: MYOUNG01 DATE: 2012/05/23 CHECKED BY: DATE:
	ANGULAR ± 1° DRAFT WHERE APPLICABLE MUST REMAIN WITHIN DIMENSIONS	MATERIAL NO: SEE TABLE	DATE: 2012/06/01 APPROVED BY: SMARCEAU	TITLE: 2, 4, 8 CKT MINI 50 SMT ASSEMBLY SALES DRAWING	DOCUMENT NO: SD-34912-001	SHEET NO: 3 OF 5
	THIS DRAWING CONTAINS INFORMATION THAT IS PROPRIETARY TO MOLEX INCORPORATED AND SHOULD NOT BE USED WITHOUT WRITTEN PERMISSION					

# RECOMMENDED PCB LAYOUT:

## 4 WAY:



## 8 WAY:



ADDED 2 WAY IEC NO: UAU2016-0722 DRAWN BY: MYOUNG01 CHYK: CHYK APPR: RBALMAN 2015/11/06 2015/11/11	QUALITY SYMBOLS	GENERAL TOLERANCES (UNLESS SPECIFIED)	DIMENSION STYLE	SCALE	DESIGN UNITS	THIRD ANGLE PROJECTION
	∇=0 ∇=0 ∇=0	mm INCH 4 PLACES ± --- ± --- 3 PLACES ± --- ± --- 2 PLACES ± 0.10 ± --- 1 PLACE ± 0.20 ± --- 0 PLACE ± --- ± ---	MM ONLY	5:1	METRIC	TITLE 2, 4, 8 CKT MINI 50 SMT ASSEMBLY SALES DRAWING
	ANGULAR ± 1 ° DRAFT WHERE APPLICABLE MUST REMAIN WITHIN DIMENSIONS	DRAWN BY DATE MYOUNG01 2012/05/23 CHECKED BY DATE APPROVED BY DATE SMARCEAU 2012/06/01	MATERIAL NO. SEE TABLE	DOCUMENT NO. SD-34912-001	SHEET NO. 4 OF 5	
	THIS DRAWING CONTAINS INFORMATION THAT IS PROPRIETARY TO MOLEX INCORPORATED AND SHOULD NOT BE USED WITHOUT WRITTEN PERMISSION					

MINI 50 SMT SINGLE ROW ASSEMBLIES

GOLD:

MATERIAL NUMBER TUBE PACKAGING PK-31301-688	MATERIAL NUMBER TAPE AND REEL PACKAGING PK-31301-786	TOOLED	CONFIGURATION	CIRCUIT	POL	COLOR	BLADE PLATING	MATING COMPONENT	
								UN-BRIDGED W/O CPA TRAY	BRIDGED W/CPA TRAY
N/A	34912-6020	NO	MOLEX	2	A	BLACK	GOLD	34791-0020	34791-0120
N/A	34912-6021	NO	MOLEX	2	B	GREY	GOLD	34791-0021	34791-0121
N/A	34912-6022	NO	MOLEX	2	C	DARK GRAY	GOLD	34791-0022	34791-0122
N/A	34912-6023	NO	MOLEX	2	D	GREEN	GOLD	34791-0023	34791-0123
34912-5040	34912-6040	NO	USCAR	4	A	BLACK	GOLD	34791-0040	34791-0140
34912-5041	34912-6041	NO	USCAR	4	B	GREY	GOLD	34791-0041	34791-0141
34912-5042	34912-6042	NO	USCAR	4	C	DARK GRAY	GOLD	34791-0042	34791-0142
34912-5043	34912-6043	NO	USCAR	4	D	GREEN	GOLD	34791-0043	34791-0143
34912-5080	34912-6080	NO	USCAR	8	A	BLACK	GOLD	34791-0080	34791-0180
34912-5081	34912-6081	NO	USCAR	8	B	GREY	GOLD	34791-0081	34791-0181
34912-5082	34912-6082	NO	USCAR	8	C	DARK GRAY	GOLD	34791-0082	34791-0182

TIN:

MATERIAL NUMBER TUBE PACKAGING PK-31301-688	MATERIAL NUMBER TAPE AND REEL PACKAGING PK-31301-786	CONFIGURATION	CIRCUIT	POL	COLOR	BLADE PLATING	MATING COMPONENT	
							UN-BRIDGED W/O CPA TRAY	BRIDGED W/CPA TRAY
N/A	34912-8020	MOLEX	2	A	BLACK	TIN OVER NICKEL	34791-0020	34791-0120
N/A	34912-8021	MOLEX	2	B	GREY	TIN OVER NICKEL	34791-0021	34791-0121
N/A	34912-8022	MOLEX	2	C	DARK GRAY	TIN OVER NICKEL	34791-0022	34791-0122
N/A	34912-8023	MOLEX	2	D	GREEN	TIN OVER NICKEL	34791-0023	34791-0123
34912-9040	34912-8040	USCAR	4	A	BLACK	TIN OVER NICKEL	34791-0040	34791-0140
34912-9041	34912-8041	USCAR	4	B	GREY	TIN OVER NICKEL	34791-0041	34791-0141
34912-9042	34912-8042	USCAR	4	C	DARK GRAY	TIN OVER NICKEL	34791-0042	34791-0142
34912-9043	34912-8043	USCAR	4	D	GREEN	TIN OVER NICKEL	34791-0043	34791-0143
34912-9080	34912-8080	USCAR	8	A	BLACK	TIN OVER NICKEL	34791-0080	34791-0180
34912-9081	34912-8081	USCAR	8	B	GREY	TIN OVER NICKEL	34791-0081	34791-0181
34912-9082	34912-8082	USCAR	8	C	DARK GRAY	TIN OVER NICKEL	34791-0082	34791-0182

ADDED 2 WAY EC NO. UAU2016-0722 DRAWN BY CHKD: APPR:RBALMAN 2015/11/06 2015/11/11	QUALITY SYMBOLS ▽=0 ▽=0 ▽=0	GENERAL TOLERANCES (UNLESS SPECIFIED) mm      INCH		DIMENSION STYLE <b>MM ONLY</b>	SCALE <b>10:1</b>	DESIGN UNITS <b>METRIC</b>	THIRD ANGLE PROJECTION	
		4 PLACES ± --- ± --- 3 PLACES ± --- ± --- 2 PLACES ± 0.10 ± --- 1 PLACE ± 0.20 ± --- 0 PLACE ± --- ± ---		DRAWN BY      DATE MYOUNG01    2012/05/23	TITLE <b>2, 4, 8 CKT MINI 50 SMT ASSEMBLY SALES DRAWING</b>			
		ANGULAR ± 1 ° DRAFT WHERE APPLICABLE MUST REMAIN WITHIN DIMENSIONS		CHECKED BY      DATE SMARCEAU    2012/06/01	MATERIAL NO. <b>SEE CHART</b>			
				DOCUMENT NO. <b>SD-34912-001</b>		SHEET NO. <b>5 OF 5</b>		

## X-ON Electronics

Largest Supplier of Electrical and Electronic Components

*Click to view similar products for [Automotive Connectors](#) category:*

*Click to view products by [Molex](#) manufacturer:*

Other Similar products are found below :

[003-018-000](#) [600858](#) [60403001](#) [60993906-B](#) [60993913-B](#) [629515004020001](#) [M902-2131](#) [M902-2161](#) [M902-2344](#) [72.330.1035.1](#)  
[73.353.4028.0](#) [F118010](#) [F119300-B](#) [F132210](#) [F132210-B](#) [F166900](#) [F180100](#) [F258300](#) [F258300-B](#) [F294300-B](#) [F339100](#) [F339700](#) [F358300-](#)  
[B](#) [F374110](#) [F407400](#) [F412210](#) [F427600](#) [F444110](#) [F487000](#) [F495100-B](#) [F500900-B](#) [F509500B-B](#) [770444-1](#) [776880-1](#) [827153-1](#) [881735-1](#)  
[8N1515-32-24P](#) [9-1326727-8](#) [9-1326729-8](#) [925467-1](#) [925474-1](#) [928905-1](#) [936398-2](#) [964562-1](#) [964562-4](#) [964731-2](#) [965051-1](#) [968782-1](#)  
[GT17SA-8DS-HU](#) [GT17VS-10DP-5.2CF](#)