

648-930

SLT3S™

S I N G L E L I N E T E S T E R

INSTRUCTIONS FOR USING THE SLT3S

The SLT3S is used to verify (or indicate wiring errors in) 2, 3 and 4 pair voice and data channels on both UTP or STP cabling. The continually sequencing LED display provides instant indication of any shorts, opens, reversals or miswires. The SLT3S tester includes a nine volt battery.

The Master and Remote units separate for end-to-end testing of installed cabling. The SLT3S tester should be used to check each channel back to the Main Distribution Frame, verify cross connections and test all line cords.

Frame adapters are available to connect the tester to KATT PDS and other block based applications.

TROUBLE SHOOTING: SYSTEM TO DROP (UTP)

If there are a large number of tests to be performed or if the tests involve substantial distances, MOD-TAP recommend using two people and a set of walkie talkies.

MOD-TAP have used the finest contact sets available in the SLT3S. We do however, recommend that a short line cord be plugged into the tester and that the line cord be used to connect and disconnect to/from the channel under test. This will reduce wear on the tester contact set and ensure long term, reliable operations.

1. Select the appropriate jacks on the SLT3S tester for the wiring scheme to be tested.
2. Attach the Remote unit at the drop location.
3. Attach Master unit at the main cross connect. Use frame adapter if required.
4. Read the LEDs as per chart 1.
5. If the channel tests good, go to step 6. If the channel tests bad, mark the frame with a red marker tag.
6. Test the next channel as above.
7. Go back and repair each channel marked with a red tag.
8. Go on to the next frame if applicable.

STP TESTING

1. Select the appropriate jacks on the SLT3S for the wiring schedule
2. Connect REMOTE unit to floor outlet using SHIELDED PATCH CORD
3. Connect MASTER unit to main cross-connect port using SHIELDED PATCH CORD
4. With the MASTER Shield Switch set in the OFF position, verify pair continuity using Chart 1
5. With MASTER Shield Switch set to TEST position, verify Shield Continuity as below

MASTER	REMOTE
Green 1 and OK LEDs ON	GREEN OK LED ON

CHART 1 For USOC, 568A and 568B

Master	Remote	Diagnosis
LED on (Green)	LED Green	Good channel
LED on (Green)	LED Red	Reversal
LED on (Green)	Led off	Short within pair
2 LEDs on (Green)	2 LEDs on	Short between pairs
LED off	LED off	Open
LED out of sequence	LED out of sequence	Transposed pairs

CHART 2 The SLT3S will check pairs according to the following chart:

USOC		USOC		568A	568B	
6 Wire	8 Wire	568A	568B			
4 3	5 4	5 4	5 4			Pair 1 (#1 LED)
2 5	3 6	3 6	1 2			Pair 2 (#2 LED)
1 6	2 7	1 2	3 6			Pair 3 (#3 LED)
	8 1	7 8	7 8			Pair 4 (#4 LED)

Part No.	Description
33-100-10	SLT3S Tester
33-100-10	Carry Case for SLT3S Tester
33-100-P	AT&T 110 (USOC) Frame
33-578	AT&T 110 to 568B
33-578-81	KATT PDS Patch Cord 4 Pr to 4 Pr RJ45 1m Category 5
36.0B.011.B0010	



MOD-TAP

A mollex company

BATTERY REPLACEMENT

The SLT35 has an Auto-Off feature that extends the battery life; however should the battery need replacing please follow these instructions:

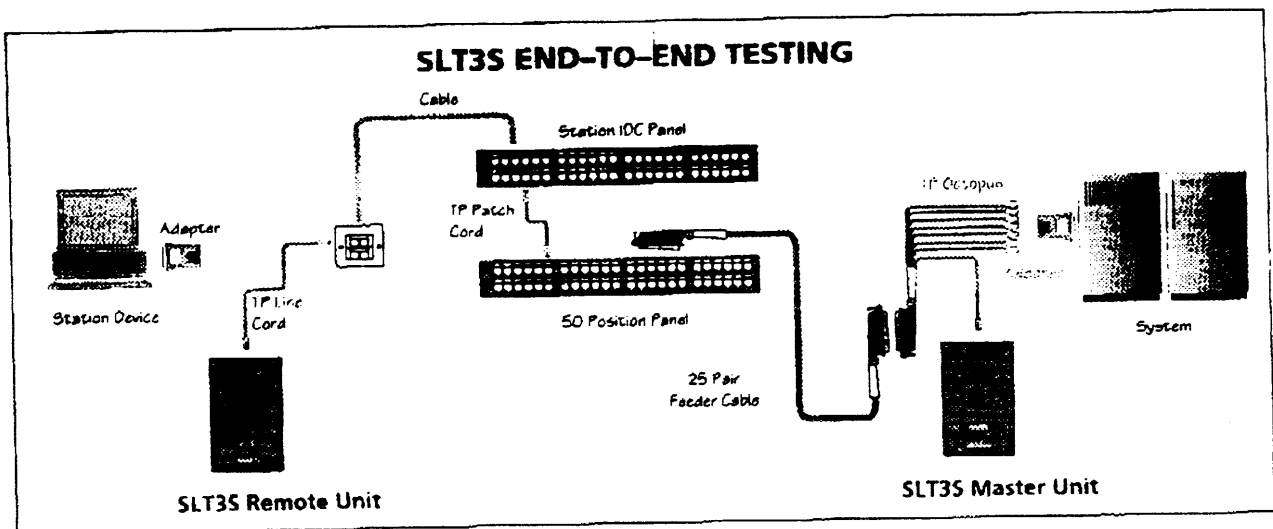
The battery is located in the Master unit only.

1. Remove the screws from the back of the Master unit with a #0 Philips screwdriver. Set screws aside
2. Remove and replace the 9 volt alkaline battery .
3. Replace the cover and screws, being careful not to over tighten the screws.

215-247

TESTER FRAME ADAPTERS

A frame adapter converts one channel on a distribution frame block to a modular jack. These adapters allow testing through the distribution frame connections.



CORPORATE HEADQUARTERS
MOD-TAP
285 Ayer Road
P.O. Box 706
Harvard, MA 01451 USA
TEL 508-772-5630
FAX 508-772-2011

EUROPEAN HEADQUARTERS
MOD-TAP Limited
7 Northbrook Industrial Estate
Vincet Avenue
Southampton, Hants, SO16 6PB UK
TEL +44-(0)1703-701919
FAX +44-(0)1703-702147

POLAND
MOD-TAP Sp. z o.o.
SP 154
00-959 Warsaw 20
TEL +48 22 20 40 46
FAX +48 22 22 24 96 6

ASIA PACIFIC HEADQUARTERS
MOD-TAP (Australia) Pty Ltd
86-100 High Street
Melton, Victoria 3337 Australia
TEL +61-3-9747-8322
FAX +61-3-9747-8627



MOD-TAP.
A **molex** company

215-247 • March 1996

X-ON Electronics

Largest Supplier of Electrical and Electronic Components

Click to view similar products for [mod-tap](#) manufacturer:

Other Similar products are found below :

[33A-100-10](#) [36.A0760](#)