

# QLT POWET DC-DC CONVERTER

QDC1WDILxxxx, QDC1S-xxxxS

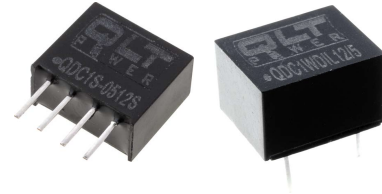
1KV ISOLATION, 1W OUTPUT, UNREGULATED, SIL 4 PACKAGE, DIL 8 PACKAGE, MTBF>1M HOURS

## Available Inputs:

5, 12, 15 and 24 VDC

## Available Outputs:

3.3, 5, 9, 12, 15, 18 and 24 VDC



## Electrical Specifications

(Typical at + 25° C, nominal input voltage, rated output current unless otherwise specified)

### Input Specifications

Voltage range +/- 10 %  
Filter Capacitors

### Isolation Specifications

Rated voltage 1000 VDC  
Leakage current 1 mA  
Resistance 10<sup>9</sup> Ohm  
Capacitance 60 pF type.

### Output Specifications

Voltage accuracy +/- 5 %, max.  
Ripple and noise (at 20 MHz BW) 100 mV p-p, max.  
Short circuit protection Momentary  
Line voltage regulation +/- 1,2 % / 1,0 % of Vin  
Load voltage regulation +/- 8 %, load = 20 ~ 100 %  
Temperature coefficient +/- 0,02 % / °C

### General Specifications

Efficiency 75 % to 85 %  
Switching frequency 80 KHz, typ.

### Environmental Specifications

Operating temperature (ambient) - 40° C to + 85° C  
Storage temperature - 55° C to + 125° C  
Derating See graph  
Humidity Up to 90 %, non condensing  
Cooling Free air convection

### Physical Characteristics

Dimensions DIL 12,70 x 10,16 x 6,85 mm  
0,50 x 0,40 x 0,27 inches  
Dimensions SIL 11,68 x 6,00 x 10,16 mm  
0,46 x 0,24 x 0,40 inches

Weight 1,8 g  
Case material Non conductive black plastic

### Examples of Part Numbers

PART NO.	INPUT VOLTAGE (VDC)	INPUT CURRENT NO LOAD	INPUT CURRENT FULL LOAD	OUTPUT VOLTAGE (VDC)	OUTPUT CURRENT (max. mA)	EFFICIENCY FULL LOAD (% TYPE.)	PACKAGE
QDC1WDIL5/3.3	5	14	363	3.3	303	72	DIL 8
QDC1WDIL5/5	5	16	266	5	200	75	
QDC1WDIL5/12	5	18	254	12	84	70	
QDC1WDIL5/15	5	25	267	15	67	75	
QDC1WDIL12/5	12	11	119	5	200	70	
QDC1WDIL12/12	12	10	104	12	84	80	
QDC1WDIL12/15	12	15	107	15	68	78	
QDC1WDIL24/5	24	5	55	5	200	75	
QDC1WDIL24/12	24	7	54	12	84	77	
QDC1WDIL24/15	24	8	55	15	76	76	

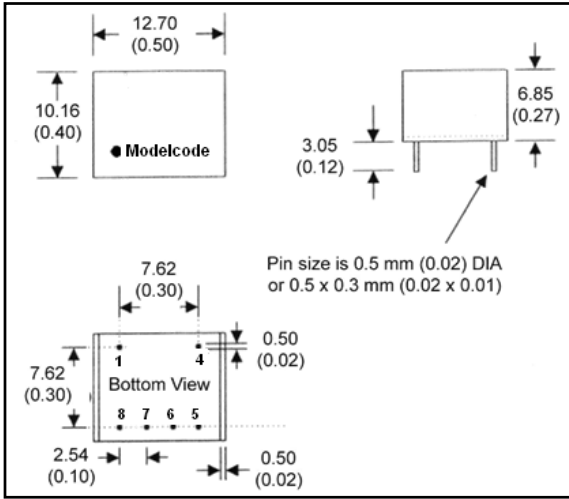
PART NO.	INPUT VOLTAGE (VDC)	INPUT CURRENT NO LOAD	INPUT CURRENT FULL LOAD	OUTPUT VOLTAGE (VDC)	OUTPUT CURRENT (max. mA)	EFFICIENCY FULL LOAD (% TYPE.)	PACKAGE
QDC1S-0503S	5	14	363	3.3	303	72	SIL4
QDC1S-0505S	5	16	266	5	200	75	
QDC1S-0512S	5	18	254	12	84	70	
QDC1S-0524S	5	24	263	24	42	76	
QDC1S-1205S	12	11	119	5	200	70	
QDC1S-1212S	12	10	104	12	84	80	
QDC1S-1215S	12	15	107	15	68	78	
QDC1S-2405S	24	5	55	5	200	75	
QDC1S-2412S	24	7	54	12	84	77	
QDC1S-2415S	24	8	55	15	76	76	

QDC1WDILxxxx, QDC1S-xxxxS

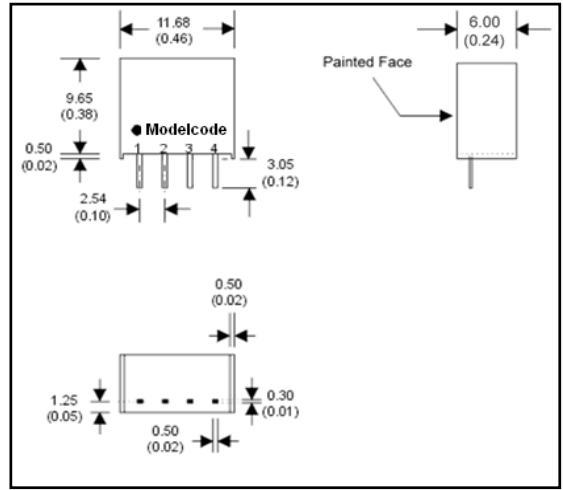
1KV ISOLATION, 1W OUTPUT, UNREGULATED, SIL 4 PACKAGE, DIL 8 PACKAGE, MTBF>1M HOURS

**Dimensions**

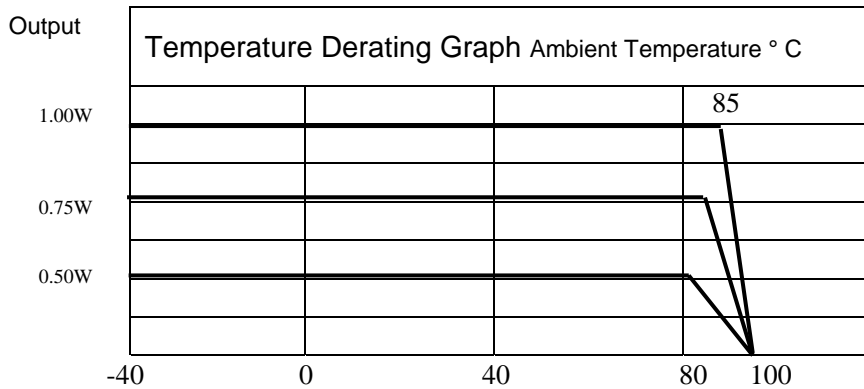
**DIL 8**



**SIL 4**



**Derating Graph and Pinning**



Pin DIL8	Connection		
1	-	V <sub>in</sub>	Input
2			Omitted
3			Omitted
4	+	V <sub>in</sub>	Input
5	+	V <sub>out</sub>	Output
6			Omitted
7	0	V <sub>out</sub>	Output
8			Omitted

Pin SIL4	Connection		
1	-	V <sub>in</sub>	Input
2	+	V <sub>in</sub>	Input
3	-	V <sub>out</sub>	Output
4	+	V <sub>out</sub>	Output

## X-ON Electronics

Largest Supplier of Electrical and Electronic Components

*Click to view similar products for [Isolated DC/DC Converters](#) category:*

*Click to view products by [QLT Power](#) manufacturer:*

Other Similar products are found below :

[ESM6D044440C05AAQ](#) [FMD15.24G](#) [PSL486-7LR](#) [PSR152.5-7IR](#) [Q48T30020-NBB0](#) [AVO240-48S12B-6L](#) [AVO250-48S28B-6L](#) [NAN-0505](#) [HW-L16D](#) [JAHW100Y1](#) [217-1617-001](#) [22827](#) [SPB05C-12](#) [SQ24S15033-PS0S](#) [18952](#) [19-130041](#) [CE-1003](#) [CE-1004](#) [GQ2541-7R](#) [PSE1000DCDC-12V](#) [RDS180245](#) [MAU228](#) [419-2065-201](#) [449-2075-101](#) [J80-0041NL](#) [V300C24C150BG](#) [419-2062-200](#) [419-2063-401](#) [419-2067-101](#) [419-2067-501](#) [419-2068-001](#) [DCG40-5G](#) [DFC15U48D15](#) [449-2067-000](#) [XGS-0512](#) [XGS-1205](#) [XGS-1212](#) [XGS-2412](#) [XGS-2415](#) [XKS-1215](#) [033456](#) [NCT1000N040R050B](#) [SPB05B-15](#) [SPB05C-15](#) [SSQE48T25025-NAA0G](#) [L-DA20](#) [HP3040-9RG](#) [HP1001-9RTG](#) [XKS-2415](#) [XKS-2412](#)