

## SUBCON-PLUS-PROFIB/SC2

Order No.: 2708232



<http://eshop.phoenixcontact.co.uk/phoenix/treeViewClick.do?UID=2708232>

SUB-D connector, 9-pos., angled, bus system: Profibus with 12 Mbps (termination resistor can be connected via a slide switch), pin assignment: 3, 5, 6, 8, Version: Male



### Commercial data

EAN	4017918960483
Pack	1 Pcs.
Customs tariff	85369010
Weight/Piece	35.30 g
Product key	H631
Catalog page information	Page 235 (NTK-2008)

### Product notes

WEEE/RoHS-compliant since:  
20/10/2006



Please note that the data given here has been taken from the online catalog. For comprehensive information and data, please refer to the user documentation at <http://www.download.phoenixcontact.com>. The General Terms and Conditions of Use apply to Internet downloads.

### Technical data

#### General data

Nominal voltage $U_N$	60 V AC/DC
Nominal current $I_N$	1 A
Bus system	PROFIBUS-DP
Insertion/withdrawal cycles	> 200

Max. cable diameter	8.4 mm
Min. cable diameter	7.6 mm
SUBCON fixing screws	4-40 UNC
Tightening torque	0.4 Nm
Ambient temperature (operation)	-20 °C ... 75 °C
Ambient temperature (storage/transport)	-25 °C ... 80 °C
Housing material	ABS, metal-plated
Pin assignment	3, 5, 6, 8

#### Connection data

Connection	D-SUB connection
Number of positions	9
Type of connection	D-SUB connector
Connection	PCB connection
Type of connection	Screw connection
Conductor cross section solid min.	0.14 mm <sup>2</sup>
Conductor cross section solid max.	1.5 mm <sup>2</sup>
Conductor cross section stranded min.	0.14 mm <sup>2</sup>
Conductor cross section stranded max.	1 mm <sup>2</sup>
Conductor cross section AWG/kcmil min.	26
Conductor cross section AWG/kcmil max	16
Stripping length	5 mm
Tightening torque	0.4 Nm

#### Certificates



Certification CUL, UL

#### Accessories

Item	Designation	Description
<b>Cable/conductor</b>		
2744652	PSM-CABLE-PROFIB/FC	PROFIBUS cable, Fast Connect type, up to 12 Mbit/s (02YSY (ST)CY 1x2x22 AWG)

**General**

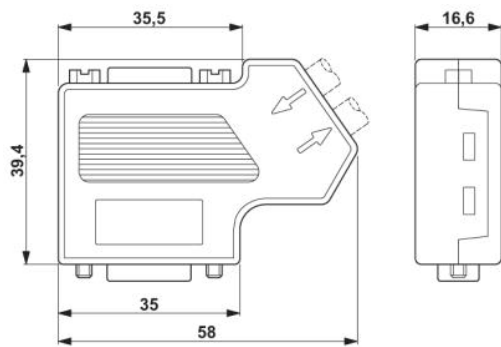
2744636	PSM-STRIP-KNIFEBLOCK	Spare knife block for quick stripping tool
---------	----------------------	--

**Tools**

2744623	PSM-STRIP-FC/PROFIB	Quick stripping tool for Profibus cable, type Fast Connect
1204384	QUICK WIREFOX 6	Stripping tool for cables with PVC insulation, stripping range: 0.08 to 6 mm <sup>2</sup> , wire cutting up to 6 mm <sup>2</sup> flexible or 4 mm <sup>2</sup> rigid
1205037	SZS 0,4X2,5	Screwdriver, bladed, matches all screw terminal blocks up to 1.5 mm <sup>2</sup> connection cross section, blade: 0.4 x 2.5 mm

**Drawings**

Dimensioned drawing



Dimensional drawing SUBCON-PLUS-PROFIB...

**Address**

PHOENIX CONTACT Ltd  
Halesfield 13  
Telford / Shropshire / TF7 4PG,England  
Phone 01952 681 700  
Fax 01952 681 799  
<http://www.phoenixcontact.co.uk>



Phoenix Contact Ltd.  
Technical modifications reserved;

## X-ON Electronics

Largest Supplier of Electrical and Electronic Components

*Click to view similar products for [phoenix contact manufacturer](#):*

Other Similar products are found below :

[1203259](#) [3240366](#) [1893300](#) [2800744](#) [2867076](#) [3006564](#) [2800741](#) [5146480](#) [1582539](#) [1623633](#) [1507793](#) [3025587](#) [3069708](#) [1582223](#)  
[1431461](#) [1586976](#) [0311647](#) [1460160](#) [1771338](#) [3048387](#) [2814605](#) [0309086](#) [1513716](#) [3035684](#) [5451417](#) [0202219](#) [1647747](#) [1730667](#)  
[1709267](#) [5449018](#) [0311634](#) [1730696](#) [3034057](#) [0311579](#) [1730683](#) [0719032](#) [5449843](#) [3240098](#) [0311566](#) [0201391](#) [CRIMPFOX 16 S](#)  
[CRIMPFOX 25R](#) [CRIMPSET 25](#) [7001438](#) [ETD-BL-1T-F-300S](#) [MCR-1CLP-I-I-00](#) [MCR-4CLP-I-I-00](#) [MCR-DAC 8-I- 4-BUS](#) [FL EPA](#)  
[WMS](#) [FLK 50/EZ-DR/ 400/KONFEK/S](#)