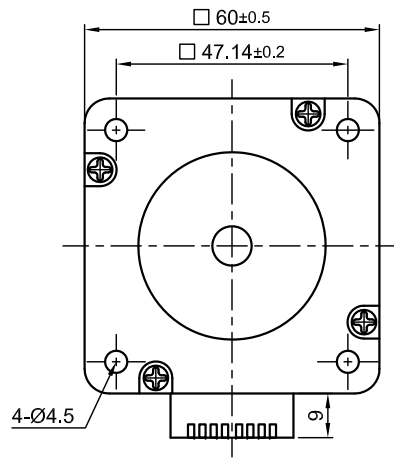
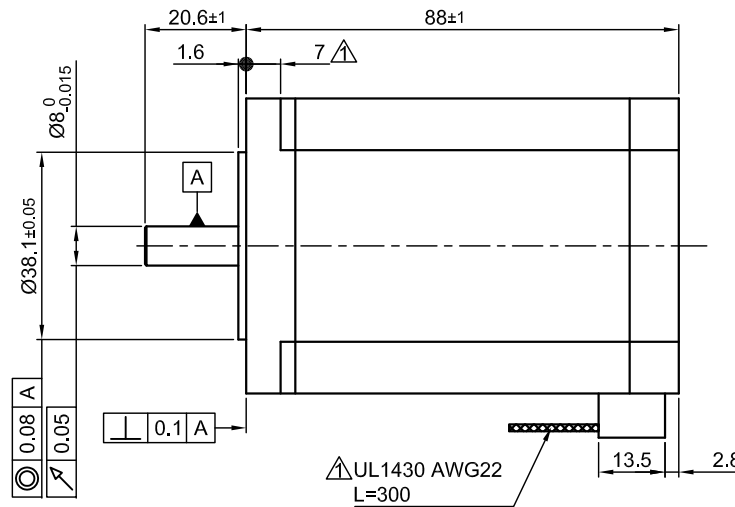


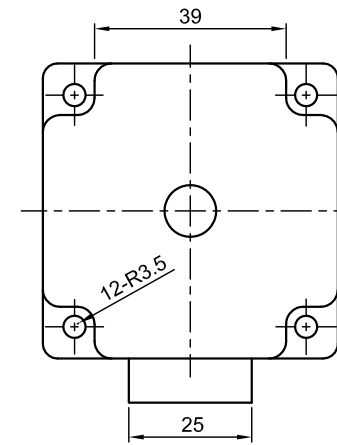
Front view and mounting



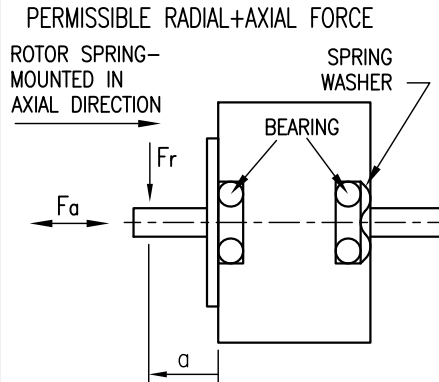
Side view



Rear view



SPECIFICATION	CONNECTION	UNIPOLAR OR BIPOLAR-1 WINDING	BIPOLAR	
			SERIAL	PARALLEL
VOLTAGE (VDC)		3.9		
AMPS/PHASE		3.0	2.12	4.24
RESISTANCE/PHASE (Ohms)@25°C		1.3±15%	2.6±15%	0.65±15%
INDUCTANCE/PHASE (mH) @1KHz		3.2±20%	12.8±20%	3.2±20%
HOLDING TORQUE (Nm) [lb-in]		2.5 [22.13]	3.54 [31.29]	3.54 [31.29]
DETENT TORQUE (Nm) [lb-in]		0.075 [0.664]		
STEP ANGLE (°) ± ACCURACY		1.8±5% (NON-ACCUM)		
BACK-EMF (V) (300 U/min)		35.5		
ROTOR INERTIA (Kg-m ²) [lb-in ²]		8.4x10 ⁻⁵ [0.287]		
WEIGHT (Kg) [lb]		1.45 [3.197]		
TEMPERATURE RISE: MAX.80°C (MOTOR STANDSTILL; FOR 2 PHASE ENERGIZED)				
AMBIENT TEMPERATURE -10~ 50°C [14°F ~ 122°F]				
INSULATION RESISTANCE 100 MOhm (UNDER NORMAL TEMPERATURE AND HUMIDITY)				
INSULATION CLASS B 130° [266°F]				
DIELECTRIC STRENGTH 500VAC FOR 1 MIN. (BETWEEN THE MOTOR COILS AND THE MOTOR CASE)				
AMBIENT HUMIDITY MAX. 85% (NO CONDENSATION)				

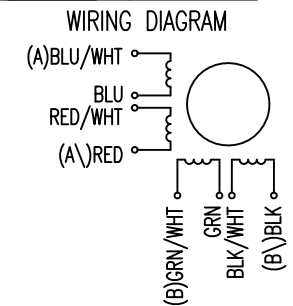



	AXIAL-FORCE Fa (N)			
	5	10	15	20
AXIAL-FORCE Fa (N)	Fa=14			
DISTANCE a (mm)	5	10	15	20
RADIAL-FORCE Fr (N)	163	112	85	63
SHAFT PLAY (mm)	AXIAL		RADIAL	
	0.075		0.025	
AT LOAD MAX: (N)	10		5.0	

TYPE OF CONNECTION (EXTERN)				MOTOR	
UNIPOLAR	BIPOLAR			LEADS	WINDING
	1WINDING	SERIAL	PARALLEL		
A —	A —	A —	A —	BLU/WHT	A
COM —				BLU	
A\ —	A\ —	A\ —	A\ —	RED/WHT	A\
B —	B —	B —	B —	RED	
COM —				GRN/WHT	B
B\ —	B\ —	B\ —	B\ —	GRN	B\
				BLK/WHT	
				BLK	

FULL STEP 2 PHASE-Ex., WHEN FACING MOUNTING END (X)

STEP	A	B	A\	B\	CCW	
					↓	↑
1	+	+	-	-		
2	-	+	+	-		
3	-	-	+	+		
4	+	-	-	+		



2	CHANGE WEIGHT	02.06.14	J.D.	 ST6018L3008-A	SCALE FREE	APVD	S.Ha.	16.01.07	STEPPING MOTOR
1	LENGTH+UL NO.	04.08.09	J.W.		X ±0.5	CHKD			
REV	DESCRIPTION	DATE	APVD		1PL ±0.2	DRN	J.W.	13.07.06	

X-ON Electronics

Largest Supplier of Electrical and Electronic Components

Click to view similar products for [nanotec](#) manufacturer:

Other Similar products are found below :

[LSNUT-T6X2-F](#) [STF2818X0504-A](#) [SP2575M0206-A](#) [C5-01](#) [DB59C024035-A](#) [SP1518M0204-A](#) [ST6018L3008-A](#) [ZKRS485-USB](#)
[SP3575M0906-A](#) [ST2818S1006-B](#) [ST4118L1804-A](#) [SMCI35](#)