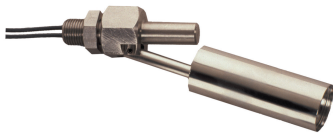




# SSF211 Series

## Compact internal fitting

- Internal fitting via 1/8" BSP thread
- Stainless steel 316 float
- Compact switch design
- High temperature version available (180°C)
- User configurable N/O (make on rise) or N/C (make on fall)



### Technical Specification

|                       |                         |                                  |                 |
|-----------------------|-------------------------|----------------------------------|-----------------|
| Mounting style        | Internal                | Cable length - standard          | 100cm           |
| Mounting thread       | 1/8" BSP                | Cable size                       | 17/0.10 - AWG22 |
| Float & Stem material | 316 & 304 grade SS      | Cable conductor material         | Tinned copper   |
| Maximum Temperature   | 120°C (H version 180°C) | Cable sheath material            | XLPE            |
| Maximum pressure      | 5 bar                   | Cable temperature rating         | 125°C           |
| Float SG              | 0.7                     | Sealing gasket                   | Not supplied    |
| Minimum fluid SG      | 0.8                     | Tightening torque for fixing nut | 2.0kg/cm        |

### Electrical Specification

|                          |    |           |
|--------------------------|----|-----------|
| Contact Form             |    | N/O (N/C) |
| Switching Power Max      | VA | 50        |
| Switching Voltage AC Max | V  | 300       |
| Switching Voltage DC Max | V  | 300       |
| Switching Current Max    | A  | 0.5       |

All ratings are for resistive load only.

The SSF211 is a horizontal internally mounted switch, so requires access to the inside of the tank for fitting via 1/8" BSP thread.

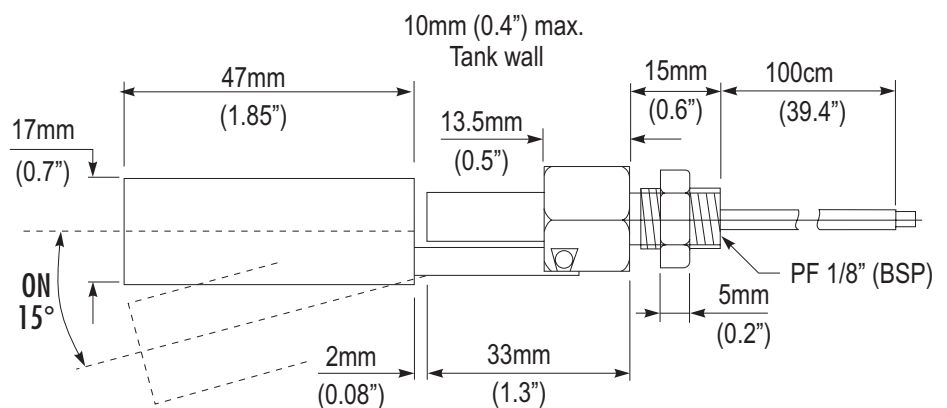
The stem material is SS304 and the float is SS 316. The float requires a minimum SG of 0.8.

The switch action may be reversed by mounting the device with the float able to move upwards away from the body, instead of the more normal downwards direction.

| Standard Parts | Material | Max Power | Max Temp | Leadouts          |
|----------------|----------|-----------|----------|-------------------|
| SSF211X100     | SS 316   | 50VA      | 120°C    | 100cm XLPE 17/0.1 |
| SSF211X100H    | SS 316   | 50VA      | 180°C    | 100cm XLPE 17/0.1 |

Custom versions can be made for particular applications. Please contact Cynergy3 with your requirements.

### Mechanical Dimensions



Cynergy3 Components Ltd.  
7 Cobham Road  
Ferndown Industrial Estate  
Wimborne, Dorset BH21 7PE  
Telephone +44 (0) 1202 897969

Email: sales@cynergy3.com

ISO9001 CERTIFIED

www.cynergy3.com

## X-ON Electronics

Largest Supplier of Electrical and Electronic Components

*Click to view similar products for [cynergy3](#) manufacturer:*

Other Similar products are found below :

[EXT050M16SS](#) [EXT075G38SS](#) [DAT70515T](#) [DAT72415T](#) [ILLSU-GI048-D-003](#) [ILLSU-GI120-5-005](#) [ILLSU-GI120-D-005](#) [ILLSU-GI240-5-008](#) [ILLSU-GI240-D-008](#) [ILLSU-GI360-5-012](#) [ILLSU-GI480-D-016](#) [ILSEU-GI120-5](#) [ILSU-GI120-005](#) [ILSU-GI1K8-060](#) [ILSU-GI360-016](#) [ILSU-GI3K6-110](#) [ILSU-GI720-025](#) [ILTSU-GI048-003](#) [IPSLU-GP002-D](#) [IPSU-C0446-5](#) [IPSU-C0447-6](#) [IPSU-GP150-3](#) [LC05FBR-PUR](#) [LC10FBR-PVC](#) [LC10FBS-PVC](#) [LM10AW](#) [LM10CW](#) [SH-3052](#) [SH-3151](#) [SH-3151RH](#) [SH-5151](#) [SH-5151RH](#) [SH-5653](#) [SH-5653RH](#) [SH-7052](#) [EXT100G38SS](#) [SSF214X100](#) [SSF67V70S500](#) [SSV66A24A813E34NP](#) [SSV66A24E34NP](#) [TSF44H100DF](#) [TSF73Y100DN](#) [TSF86H050T](#) [MP1C-3](#) [ILLSU-GI360-D-012](#) [ILLSU-GI480-5-016](#) [ILSEU-GI048-5](#) [ILSU-GI048-003](#) [ILTSU-GI180-007](#) [IPSLU-GP008-5](#)